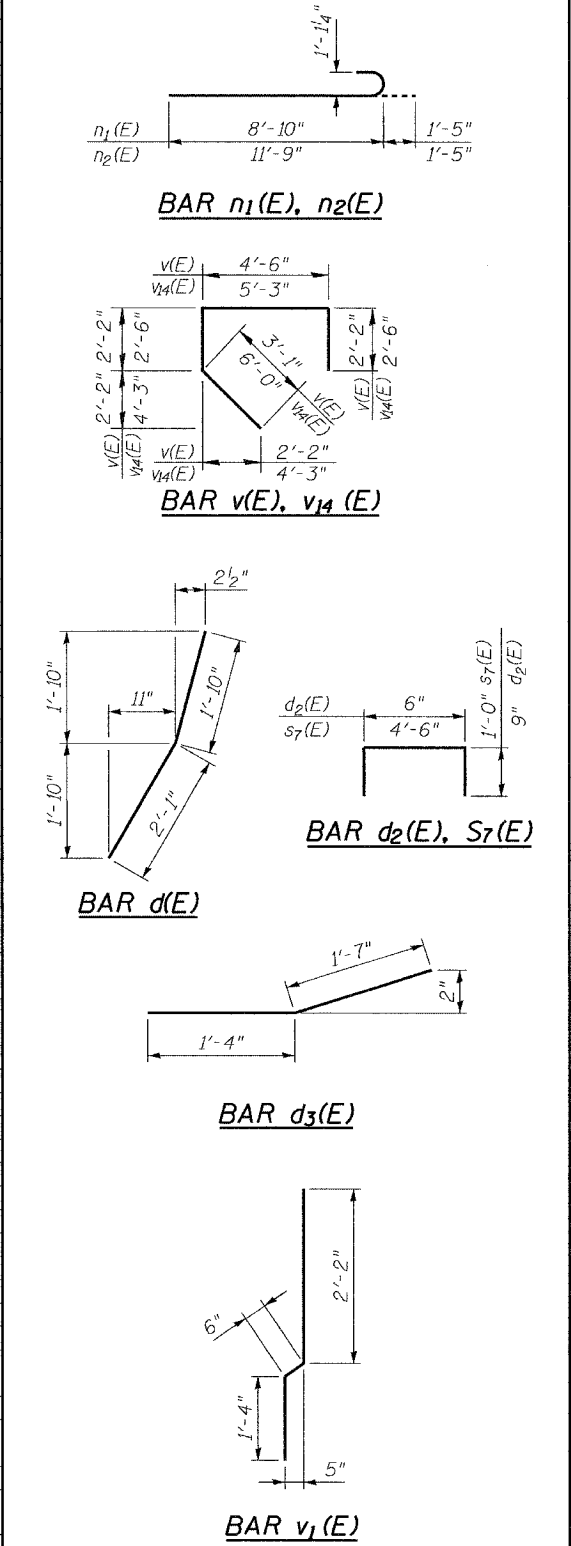
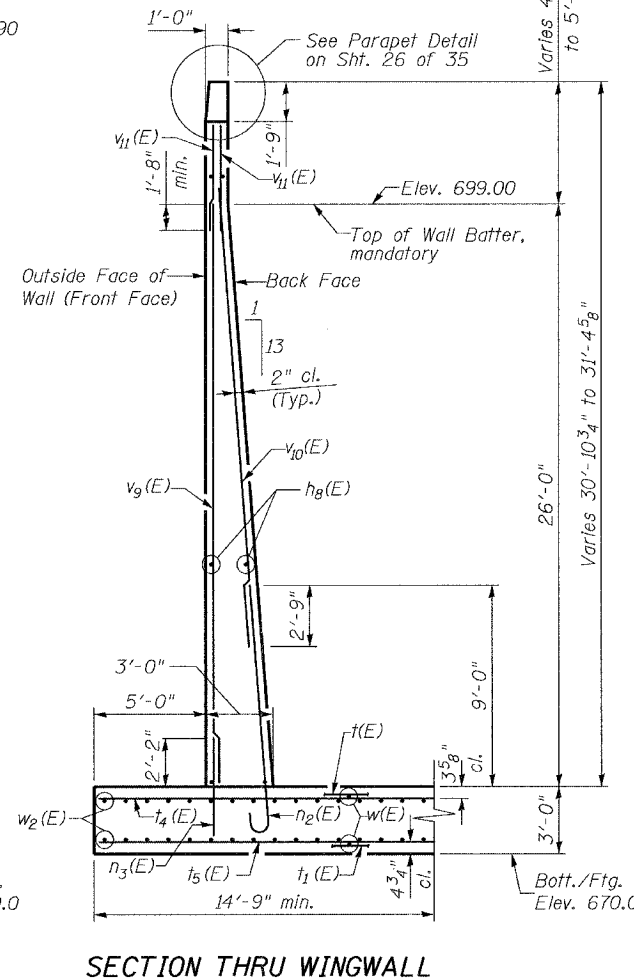
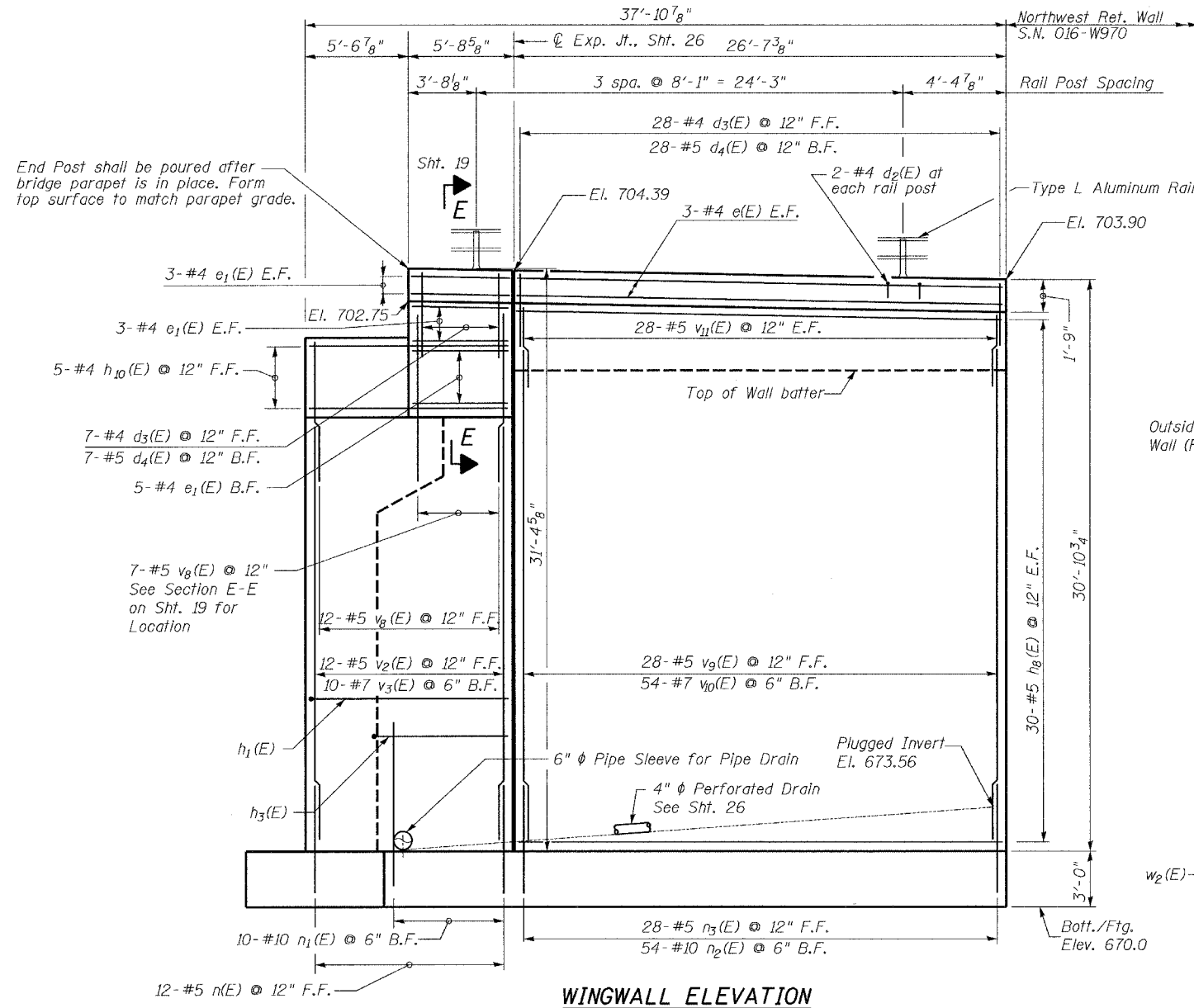


ROUTE NO.	SECTION	COUNTY	JOB SHEETS	SHEET NO.	SHEET NO. 21 35 SHEETS
FAU 3578	1327 B	COOK	108	49	
FED. ROAD DIST. NO. 7		ILLINOIS		FED. AID PROJECT	

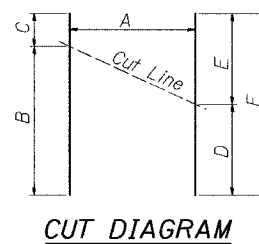
BILL OF MATERIAL

Bar	No.	Size	Length	Shape
d(E)	3	#5	3'-11"	
d ₁ (E)	3	#4	3'-8"	
d ₂ (E)	8	#4	2'-0"	
d ₃ (E)	35	#4	2'-11"	
d ₄ (E)	35	#5	3'-9"	
e(E)	6	#4	26'-4"	
e ₁ (E)	17	#4	5'-5"	
e ₄ (E)	8	#4	2'-0"	
h(E)	56	#5	33'-4"	
h ₁ (E)	24	#5	13'-3"	
h ₂ (E)	46	#5	29'-11"	
h ₃ (E)	24	#5	6'-6"	
h ₄ (E)	5	#5	18'-9"	
h ₅ (E)	16	#5	30'-10"	
h ₆ (E)	8	#6	31'-0"	
h ₈ (E)	60	#5	26'-4"	
h ₁₀ (E)	5	#4	10'-10"	
h ₁₁ (E)	4	#6	4'-2"	
h ₁₂ (E)	12	#4	3'-6"	
h ₁₃ (E)	7	#5	3'-10"	
h ₁₄ (E)	4	#5	4'-0"	
h ₁₆ (E)	14	#6	4'-5"	
h ₁₇ (E)	2	#6	10'-7"	
n(E)	77	#5	5'-3"	
n ₁ (E)	124	#10	10'-3"	
n ₂ (E)	54	#10	13'-2"	
n ₃ (E)	28	#5	4'-11"	
s ₇ (E)	20	#5	6'-6"	
t(E)	104	#8	21'-9"	
t ₁ (E)	52	#9	21'-9"	
t ₂ (E)	13	#8	32'-9"	
t ₃ (E)	7	#9	32'-9"	
t ₄ (E)	34	#9	36'-6"	
t ₅ (E)	59	#7	14'-6"	
v(E)	64	#5	12'-11"	
v ₁ (E)	60	#4	4'-0"	
v ₂ (E)	77	#5	23'-3"	
v ₃ (E)	124	#7	21'-1"	
v ₄ (E)	60	#4	4'-10"	
v ₅ (E)	60	#4	6'-10"	
v ₆ (E)	60	#5	2'-3"	
v ₈ (E)	19	#5	8'-4"	
v ₉ (E)	28	#5	26'-0"	
v ₁₀ (E)	54	#7	19'-9"	
v ₁₁ (E)	56	#5	5'-4"	
v ₁₂ (E)	6	#5	4'-2"	
v ₁₃ (E)	6	#5	3'-4"	
v ₁₄ (E)	2	#5	16'-3"	
w(E)	46	#5	30'-0"	
w ₁ (E)	46	#5	36'-8"	
w ₂ (E)	32	#5	33'-4"	
Concrete Structures		Cu. Yd.	406.7	
Reinforcement Bars, Epoxy Coated		Pound	49,990	
Structure Excavation		Cu. Yd.	880	
Removal and Disposal of Unsuitable Material		Cu. Yd.	775	
Bar Splicers		Each	60	
Pipe Underdrains for Structures 4"		Foot	98	
Pipe Drains 4"		Foot	12	
Geocomposite Wall Drain		Sq. Yd.	279	
Porous Granular Embankment (Special)		Cu. Yd.	896	
Bridge Seat Sealer		Sq. Ft.	178	
Concrete Superstructure		Cu. Yd.	6.4	



Notes:
 Reinforcement bars designated (E) shall be epoxy coated.
 All edges shall have standard 3/4" chamfer except as noted.
 See Sheet 26 of 35 for Pipe Underdrain Detail.
 Limits of Removal and Disposal of Unsuitable Material are from Elev. 670.0 to 680.0, horizontal limits are the same as Structure Excavation.

Legend
 B.F. = Back Face
 F.F. = Front Face
 E.F. = Each Face



A	B	C	D	E	F
13-t ₂ (E)	21'-6"	11'-3"	16'-7"	16'-2"	32'-9"
7-t ₃ (E)	21'-6"	11'-3"	16'-8"	16'-1"	32'-9"
34-t ₄ (E)	22'-0"	14'-6"	18'-4"	18'-2"	36'-6"

A, B & C DIMENSIONS

Bar	A	B	C
h ₁₁	2'-10"	1'-4"	9"
h ₁₃	2'-5"	1'-5"	1'-0"
h ₁₄	2'-5"	1'-3"	1'-7"

DESIGNED	SRT
CHECKED	JJI
DRAWN	MD
CHECKED	JJI

B Bollinger, Lach & Associates, Inc.

WEST ABUTMENT DETAILS
 IL 7 (SOUTHWEST HIGHWAY) OVER
 US 45 (LA GRANGE ROAD)
 F.A.U. ROUTE 3578 SECTION 1327B
 COOK COUNTY
 STA. 1516+85.79
 STRUCTURE NUMBER 016-2847