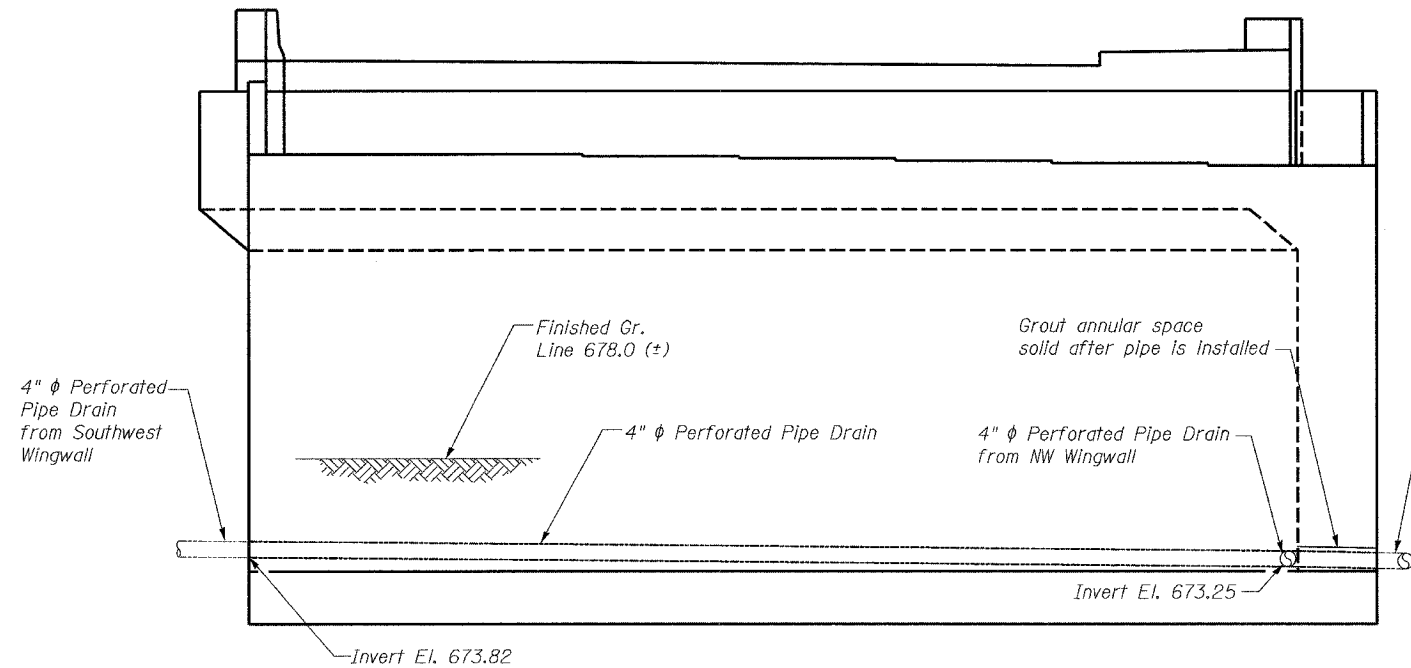


STATE OF ILLINOIS  
DEPARTMENT OF TRANSPORTATION

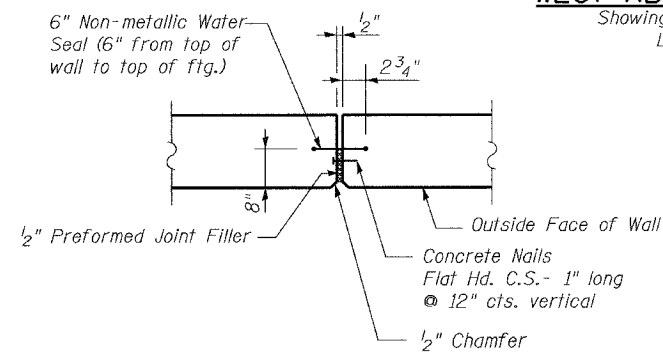
ROUTE NO.	SECTION	COUNTY	TOTAL SHEETS	SHEET NO.
FAU 3578	1327 B	COOK	108	54
FED. ROAD DIST. NO. 7	ILLINOIS	FED. AID PROJECT-		

SHEET NO. 26  
35 SHEETS

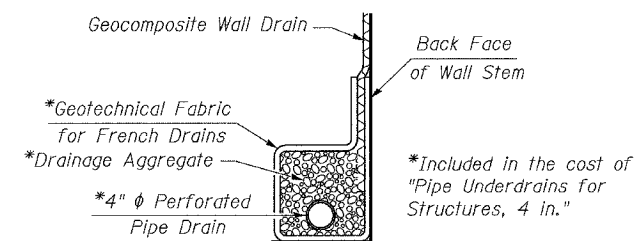


**WEST ABUTMENT ELEVATION**

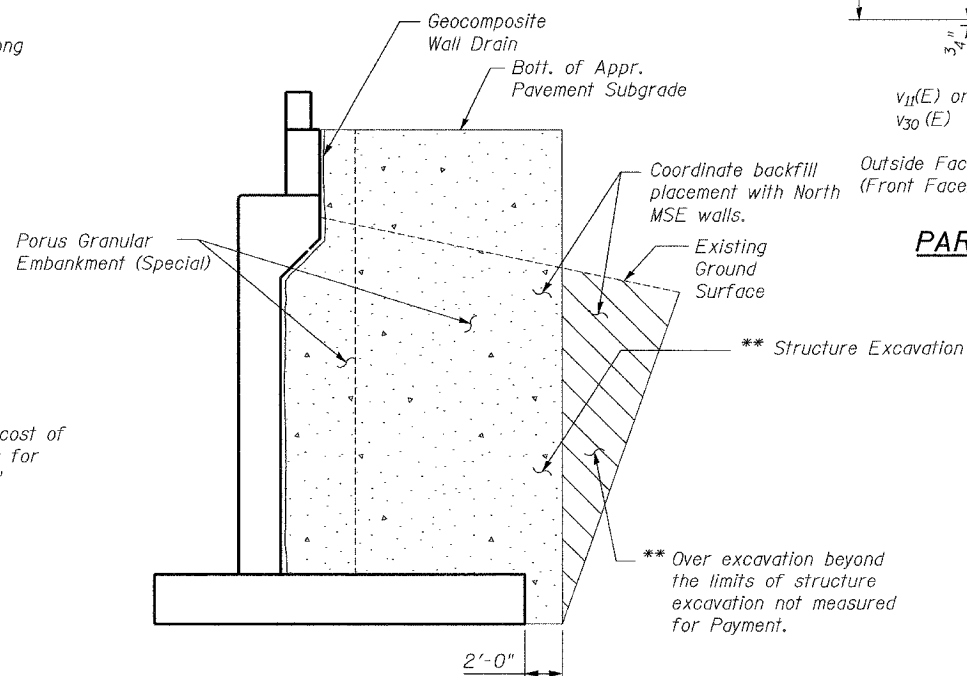
Showing pipe behind stem  
Looking West



**WALL EXPANSION JOINT**

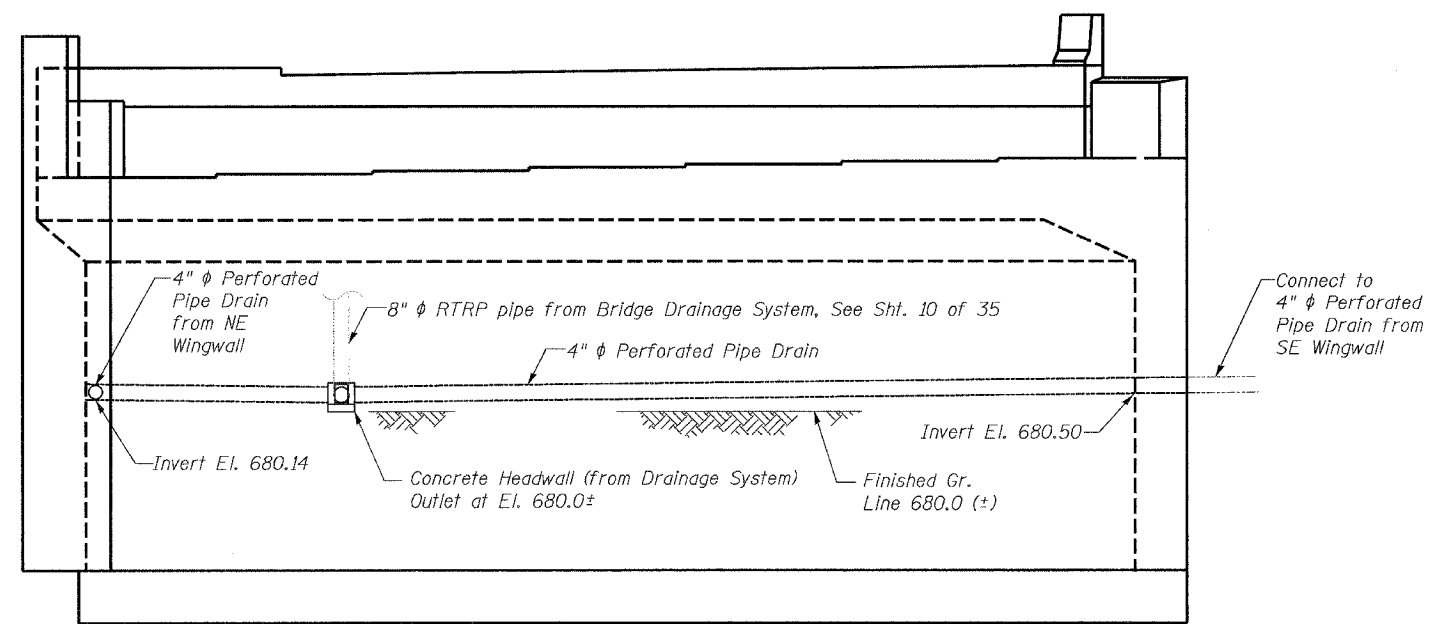


**PIPE UNDERDRAIN DETAIL**



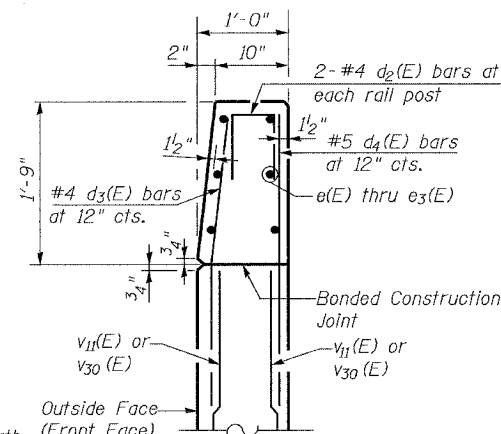
**ABUTMENT BACKFILL DETAIL**

\*\* Backfill remainder of structure and over excavation with same material specified for roadway embankment, except at north MSE walls backfill with PGE (Special).

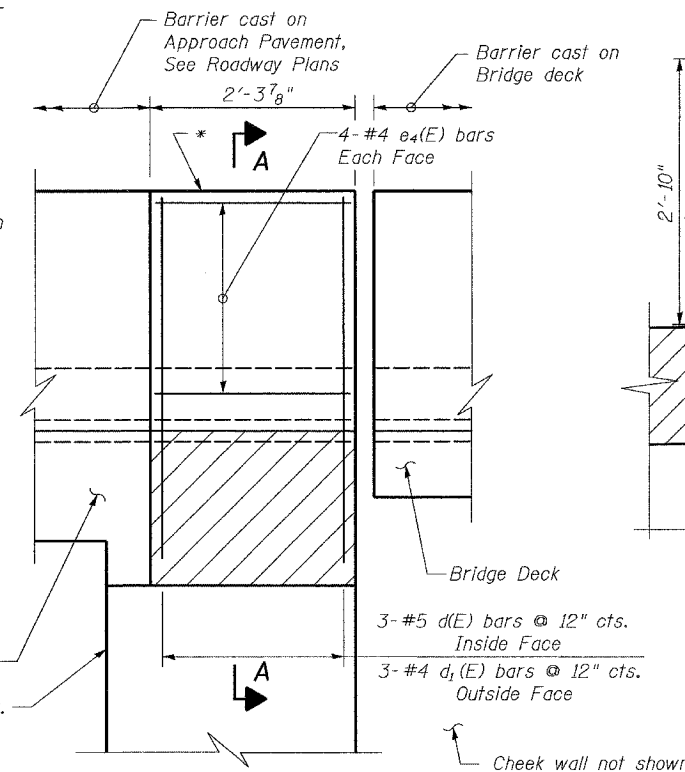


**EAST ABUTMENT ELEVATION**

Showing pipe behind stem  
Looking East



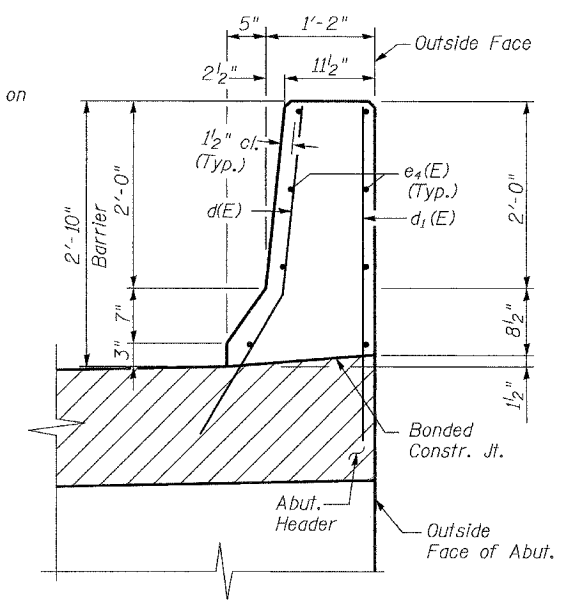
**PARAPET DETAIL**



**BARRIER ELEVATION (OUTSIDE FACE)**

(West Barrier Shown, East Similar)

\* Barrier to be poured after bridge barrier is in place. Form top surface to match grade of barrier cast on bridge deck. Quantity of concrete is included in the item "Concrete Superstructure".



**SECTION A-A**

Notes:  
Reinforcement bars designated (E) shall be epoxy coated.

DESIGNED	SRT
CHECKED	JJI
DRAWN	MD
CHECKED	JJI

**B** Bollinger, Lach & Associates, Inc.

**ABUTMENT DETAILS**

IL 7 (SOUTHWEST HIGHWAY) OVER  
US 45 (LA GRANGE ROAD)  
F.A.U. ROUTE 3578 SECTION 1327B  
COOK COUNTY  
STA. 1516+85.79  
STRUCTURE NUMBER 016-2847