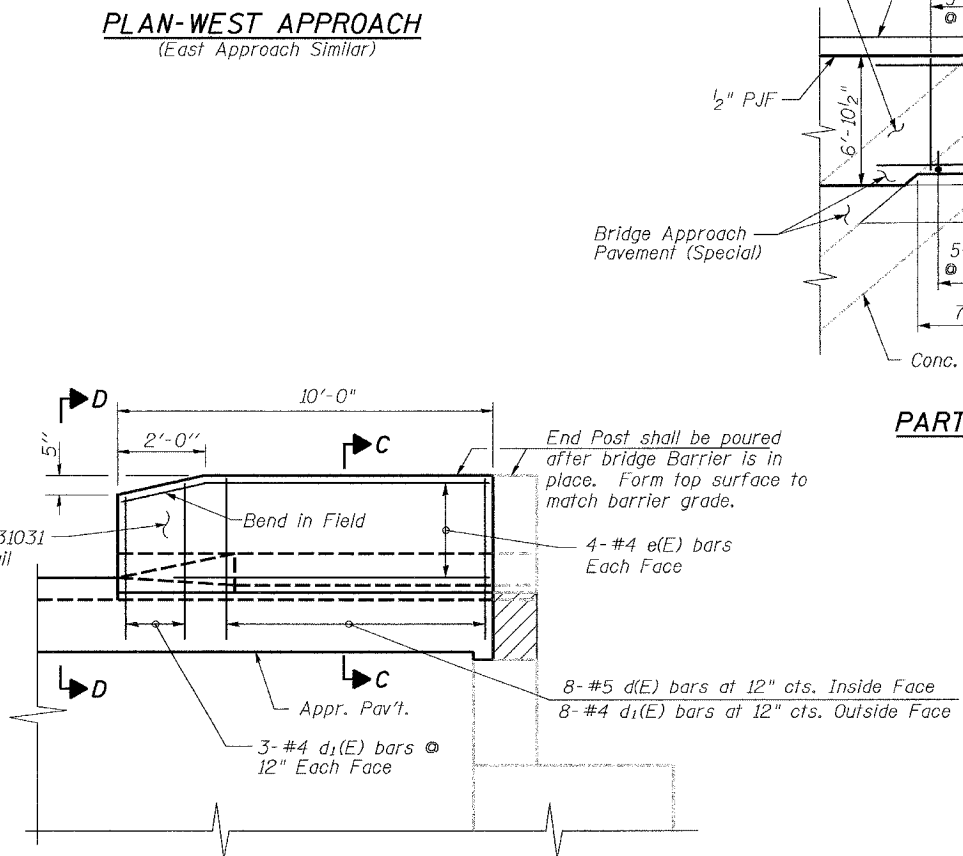
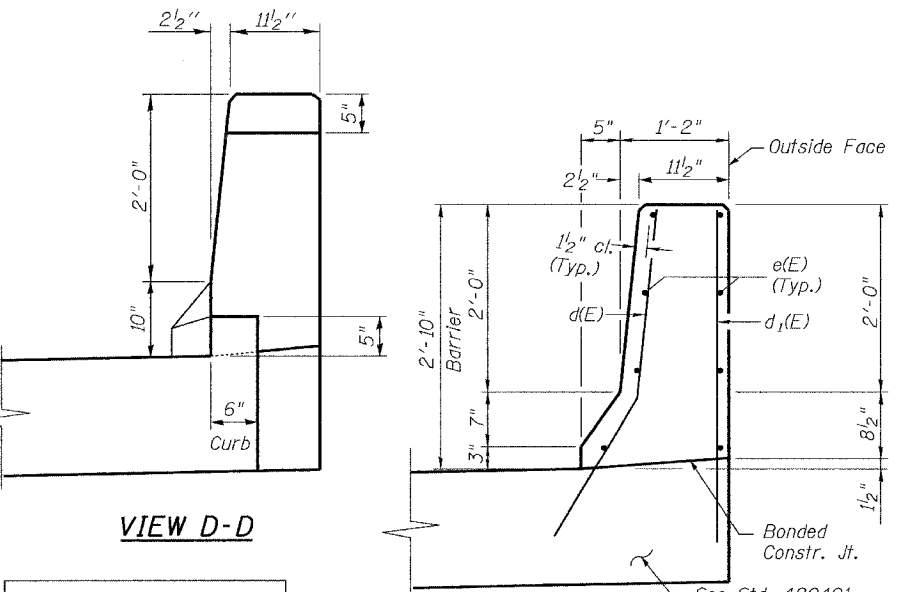
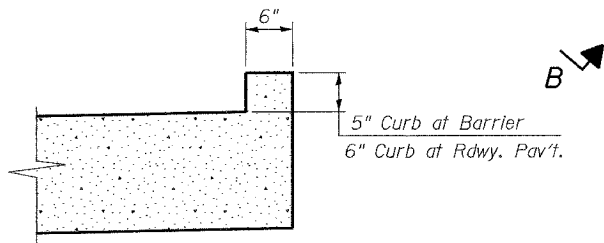
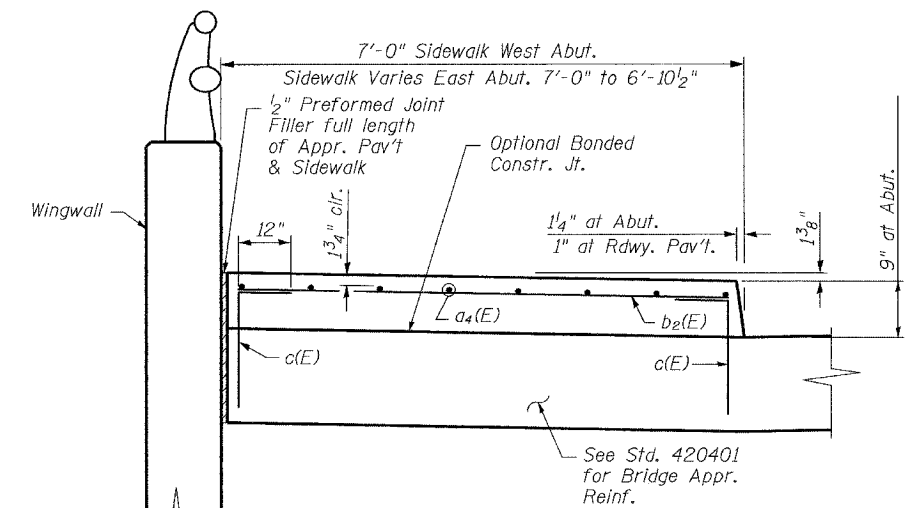
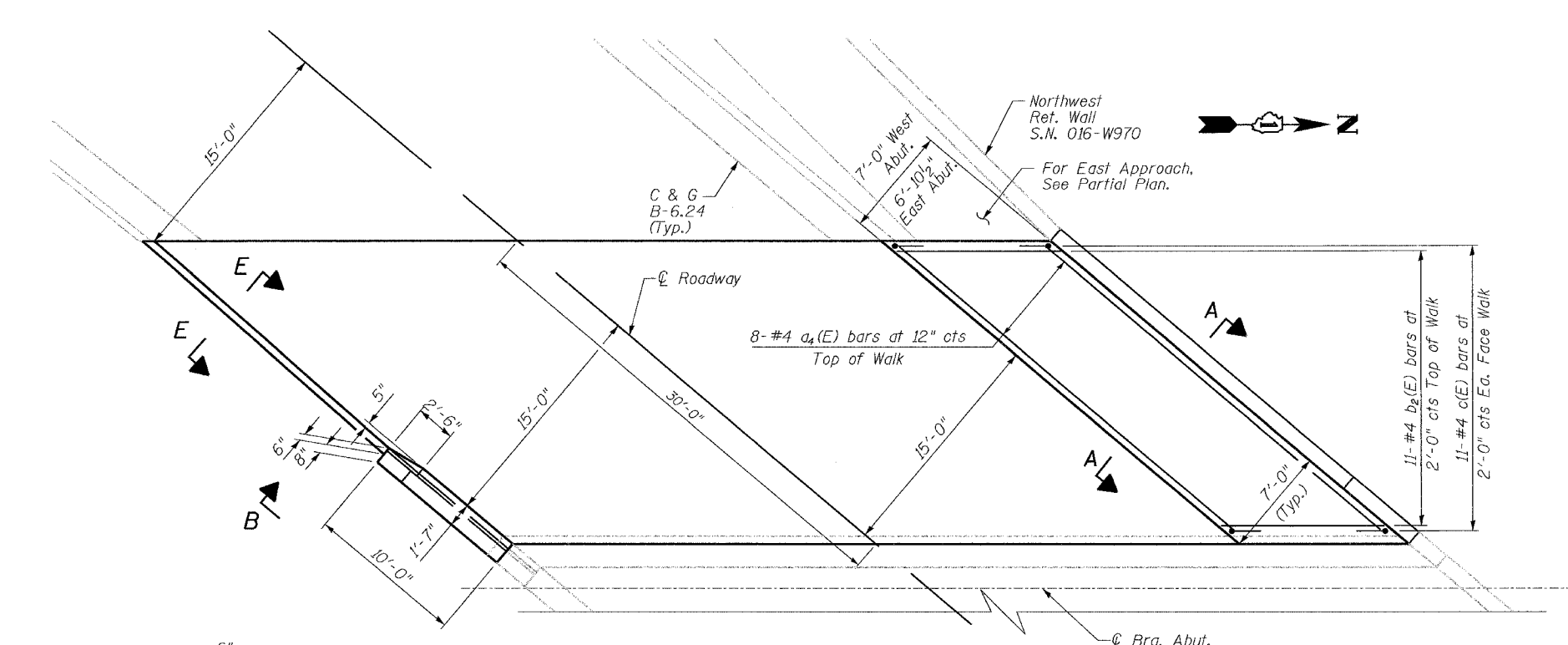


STATE OF ILLINOIS
DEPARTMENT OF TRANSPORTATION

ROUTE NO. FAU 3578	SECTION 1327 B	COUNTY COOK	TOTAL SHEETS 108	SHEET NO. 63
FED. ROAD DIST. NO. 7		ILLINOIS	FED. AID PROJECT-	

SHEET NO. 35
35 SHEETS

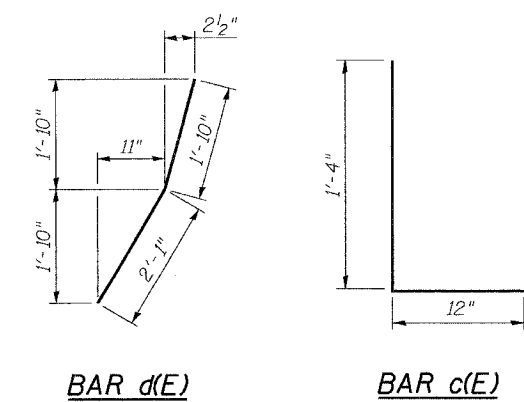


BILL OF MATERIAL
(Total for both approaches)

Bar	No.	Size	Length	Shape
a4(E)	16	#4	29'-8"	—
a5(E)	7	#4	9'-0"	—
b2(E)	22	#4	10'-1"	—
b3(E)	5	#4	6'-0"	—
c(E)	54	#4	2'-4"	—
d(E)	16	#5	3'-11"	—
d1(E)	28	#4	3'-8"	—
e(E)	16	#4	9'-9"	—
Concrete Superstructure		Cu. Yd.	2.5	
Protective Coat		Sq. Yd.	277	
Bridge Approach Pavement (Special)		Sq. Yd.	260	

All Reinforcement bars shall be epoxy coated.

Cost of sidewalk concrete and all reinforcement are included in Bridge Approach Pavement (Special) pay item. Concrete for barrier is included in pay item "Concrete Superstructure". All items are included with roadway quantities.



APPROACH PAVEMENT DETAILS
IL 7 (SOUTHWEST HIGHWAY) OVER
US 45 (LA GRANGE ROAD)
F.A.U. ROUTE 3578 SECTION 1327B
COOK COUNTY
STA. 1516+85.79
STRUCTURE NUMBER 016-2847

DESIGNED JJI
CHECKED SRT
DRAWN GM
CHECKED SRT

Bollinger, Lach & Associates, Inc.