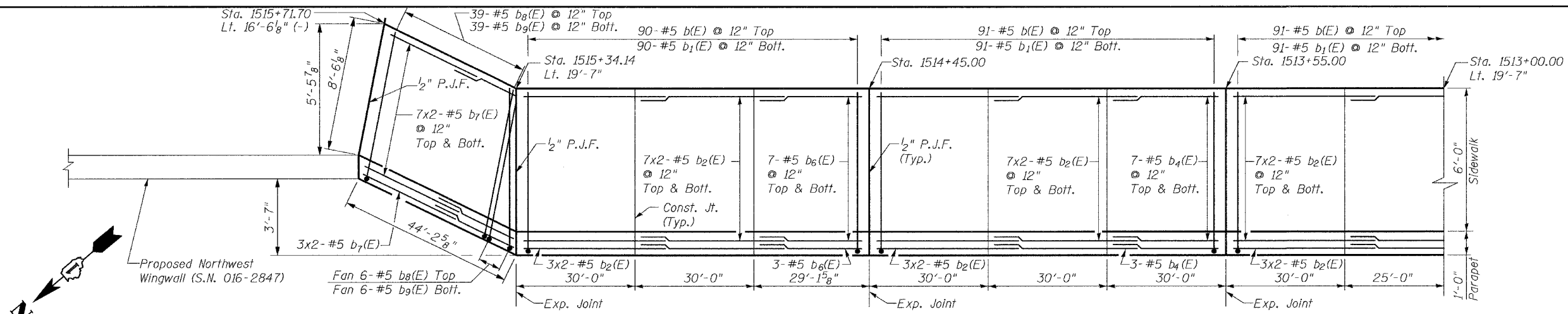
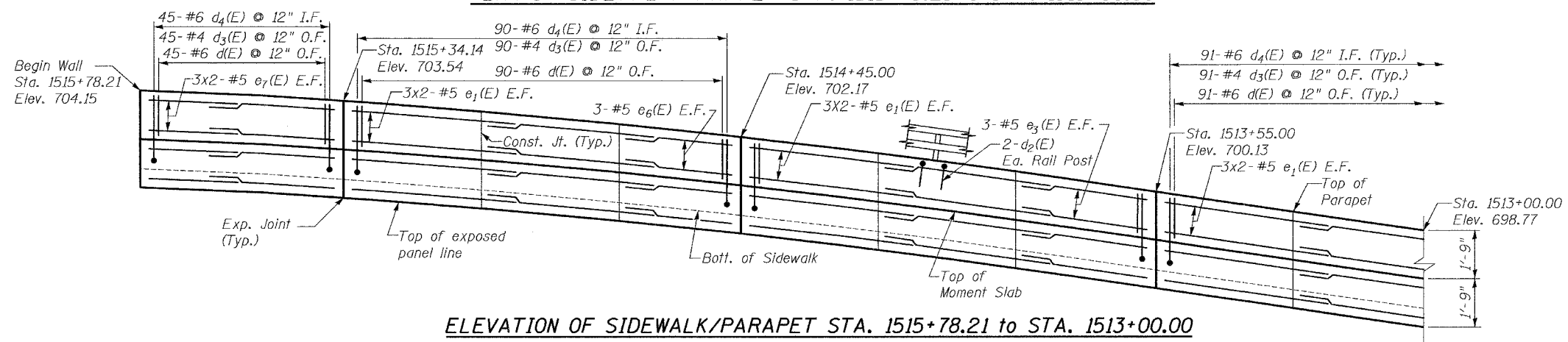


ROUTE NO.	SECTION	COUNTY	TOTAL SHEETS	SHEET NO.
FAU 3578	1327B	COOK	108	70
FED. ROAD DIST. NO. 7	ILLINOIS	FED. AID PROJECT-		

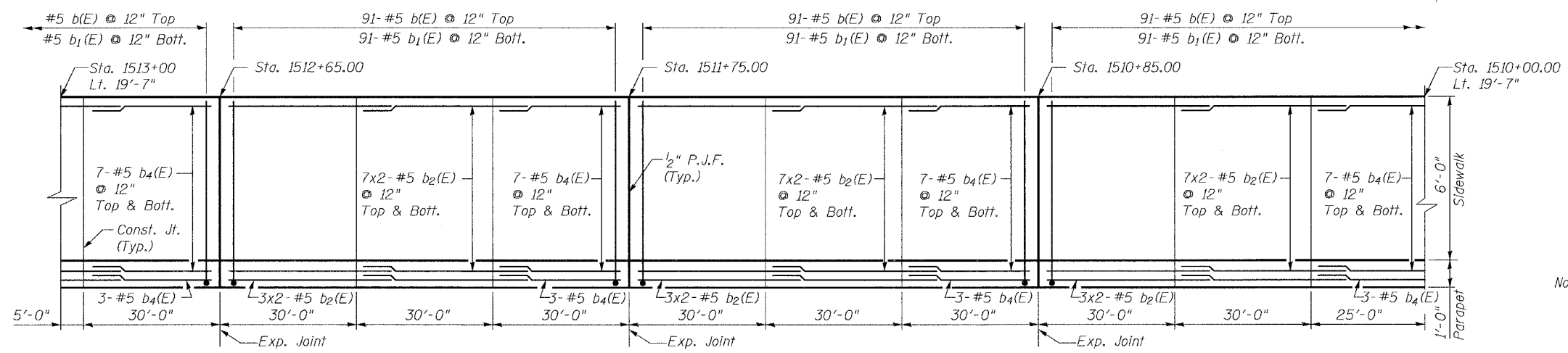
SHEET NO. 7  
22 SHEETS



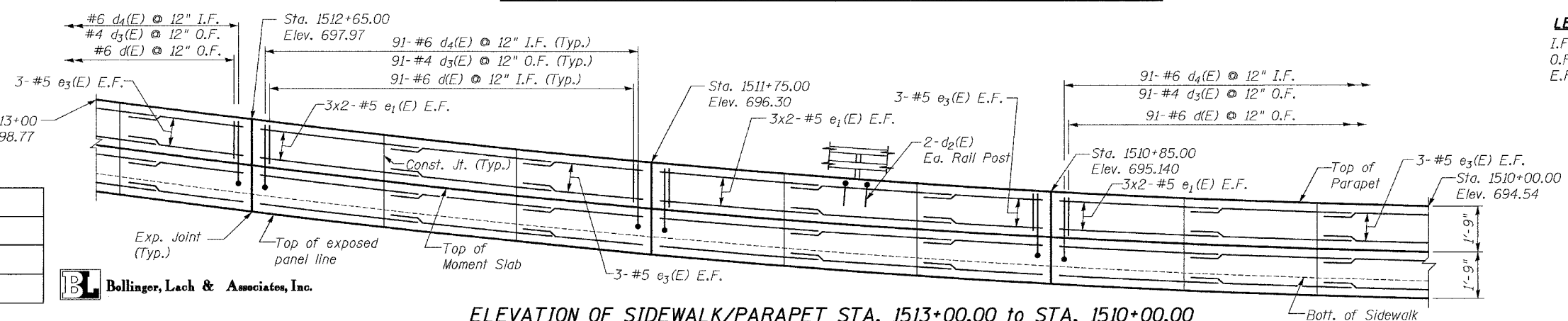
PLAN OF SIDEWALK/PARAPET STA. 1515+78.21 to STA. 1513+00.00



ELEVATION OF SIDEWALK/PARAPET STA. 1515+78.21 to STA. 1513+00.00



PLAN OF SIDEWALK/PARAPET STA. 1513+00.00 to STA. 1510+00.00



ELEVATION OF SIDEWALK/PARAPET STA. 1513+00.00 to STA. 1510+00.00

Notes:  
See Sht. 9 of 22 for wall details and Bill of Material.  
Reinforcement bars designated (E) shall be epoxy coated.  
See Sheet 9 of 22 for section thru Parapet and sidewalk.  
See Wall Plan and Elevation for Aluminum Railing post spacing.

LEGEND:  
I.F. = Inside Face  
O.F. = Outside Face  
E.F. = Each Face

DESIGNED	SRT
CHECKED	JJI
DRAWN	MD
CHECKED	JJI

**B** Bollinger, Lach & Associates, Inc.

PARAPET & SIDEWALK PLAN & ELEVATION  
STA. 1515+78.21 TO STA. 1510+00.00

NORTHWEST RETAINING WALL  
IL. 7 (Southwest Highway)  
F.A.U. ROUTE 3578 SECTION 1327B  
COOK COUNTY  
STA. 1505+40.00 TO STA. 1515+78.21  
STRUCTURE NUMBER 016-W970