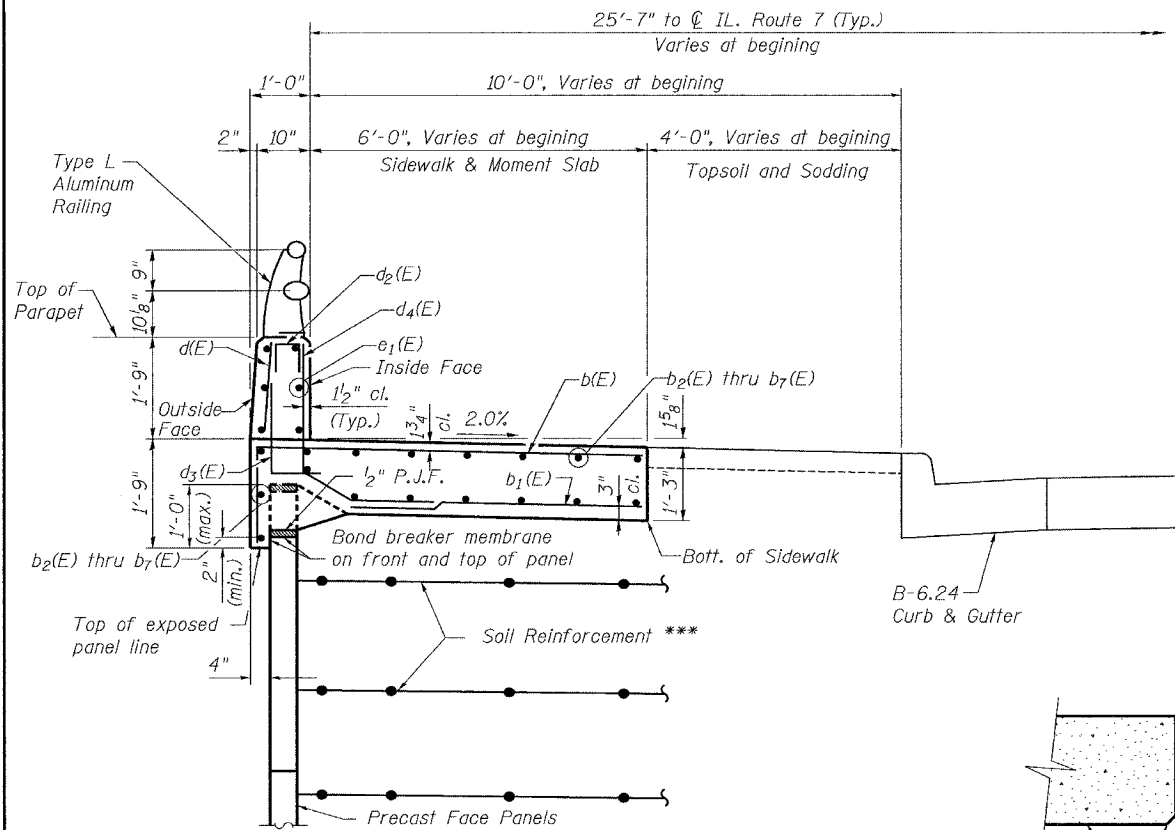


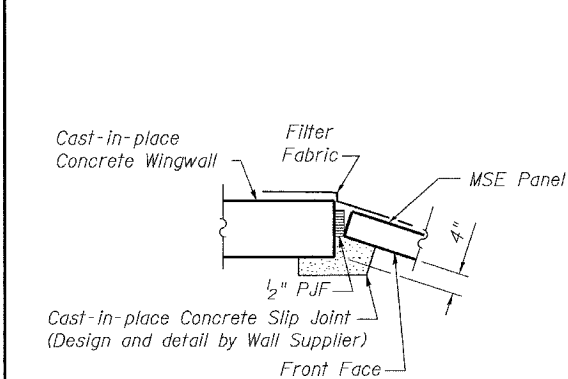
STATE OF ILLINOIS
DEPARTMENT OF TRANSPORTATION

ROUTE NO. FAU 3578	SECTION 1327B	COUNTY COOK	SHEET 108	SHEET 72	SHEET NO. 9 22 SHEETS
FED. ROAD DIST. NO. 7		ILLINOIS	FED. AID PROJECT		



SECTION THROUGH PARAPET & MOMENT SLAB
(Looking Upstation)

*** The M.S.E. Wall Supplier's internal stability design shall account for the moment slab's bearing pressure surcharge of 0.24 k.s.f. and horizontal sliding force of 0.5 kips/ft. of wall.



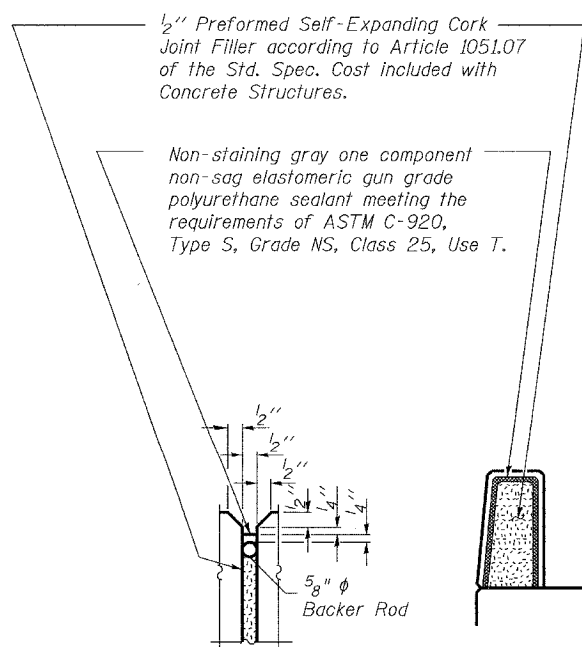
SLIP JOINT DETAIL

(At Beginning of wall, Sta. 1515+78.2)

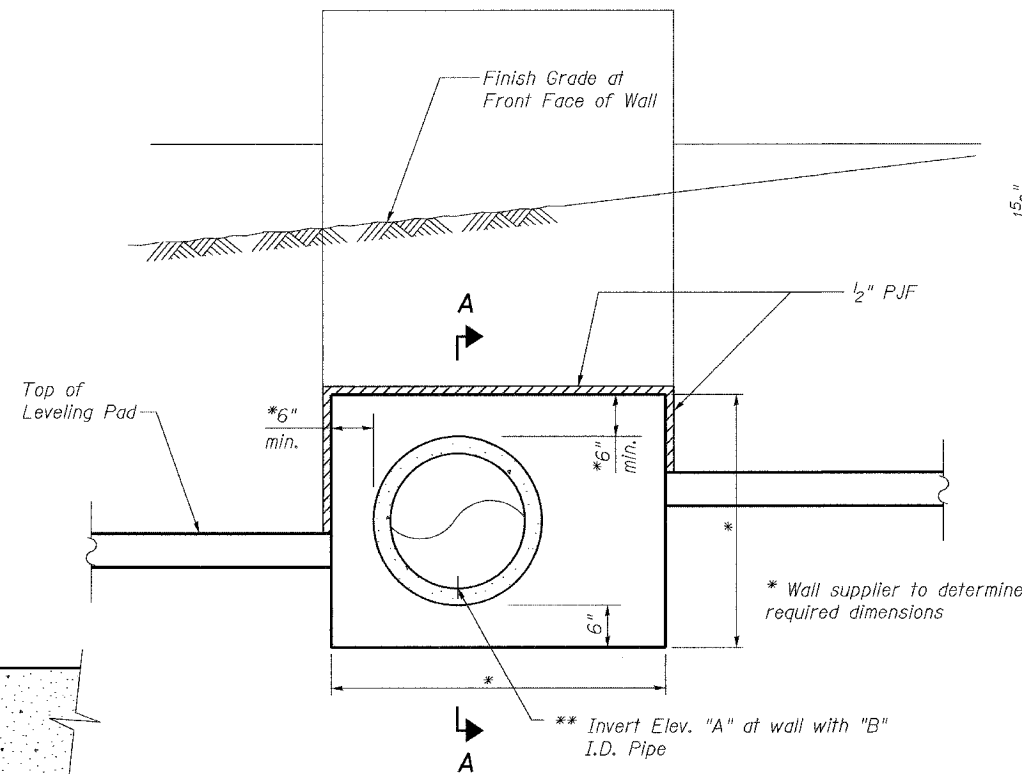
DESIGNED	SRT
CHECKED	JJI
DRAWN	GM
CHECKED	JJI

B Bollinger, Lach & Associates, Inc.

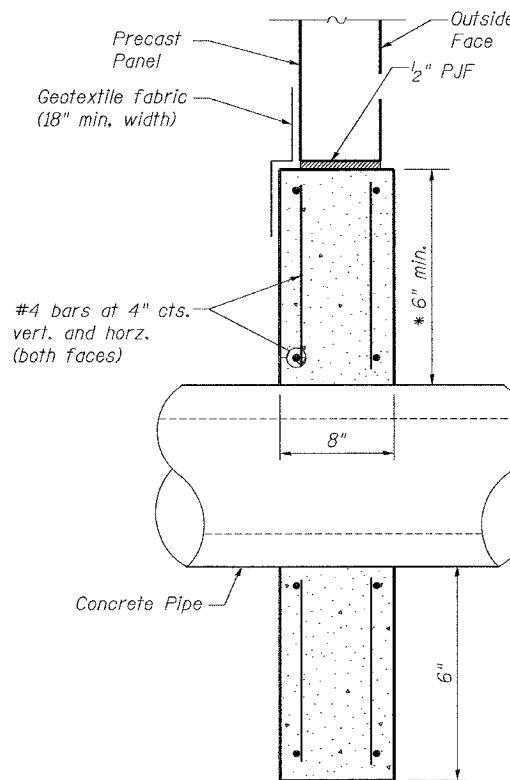
PARAPET CONSTRUCTION JOINT



PARAPET EXPANSION JOINT DETAIL



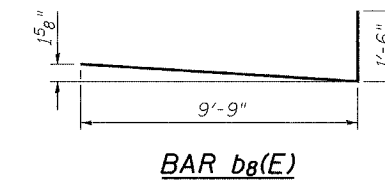
PIPE PENETRATION DETAIL
(Elevation View)



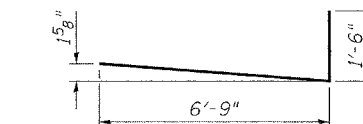
SECTION A-A

PIPE PENETRATION TABLE

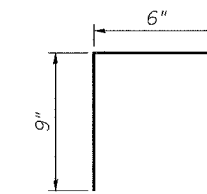
Sta.	A	B
1514+38.00	686.41	12"
1511+88.00	679.76	12"
1510+04.19	675.11	54"
1509+28.00	678.87	12"
1506+08.00	685.16	12"



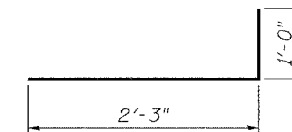
BAR b8(E)



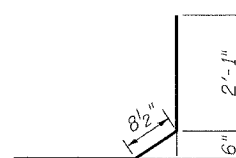
BAR b(E)



BAR d2(E)



BAR d3(E)



BAR d4(E)

BILL OF MATERIAL

Bar	No.	Size	Length	Shape
b(E)	1007	#5	8'-3"	U
b1(E)	1007	#5	4'-8"	U
b2(E)	340	#5	32'-5"	U
b3(E)	34	#5	26'-2"	U
b4(E)	153	#5	29'-8"	U
b5(E)	34	#5	23'-5"	U
b6(E)	17	#5	28'-9"	U
b7(E)	34	#5	23'-4"	U
b8(E)	45	#5	11'-3"	U
b9(E)	45	#5	7'-8"	U
d(E)	1052	#4	1'-7"	U
d2(E)	214	#4	2'-0"	U
d3(E)	1052	#4	3'-3"	U
d4(E)	1052	#6	5'-5"	U
e1(E)	120	#4	31'-11"	U
e3(E)	54	#4	29'-8"	U
e4(E)	12	#4	25'-8"	U
e5(E)	12	#4	23'-5"	U
e6(E)	6	#4	28'-9"	U
e7(E)	12	#4	23'-0"	U
Mechanically Stabilized Earth Retaining Wall		Sq. Ft.	12,750	
Structure Excavation		Cu. Yd.	2787	
Concrete Structures		Cu. Yd.	409.8	
Reinforcement Bars, Epoxy Coated		Pound	50,350	
Aluminum Railing, Type L		Foot	1037	
Stone Columns 2'-6" Dia.		Foot	3861	
Stone Columns 3'-0" Dia.		Foot	5033	
Pipe Underdrains for Structures 4"		Foot	1035	

All Reinforcement bars shall be epoxy coated.

Cost of Pipe Penetration details are included in the pay item "Mechanically Stabilized Earth Retaining Wall".

DETAILS

NORTHWEST RETAINING WALL
IL. 7 (Southwest Highway)
F.A.U. ROUTE 3578 SECTION 1327B
COOK COUNTY
STA. 1505+40.00 to STA. 1515+78.21
STRUCTURE NUMBER 016-W970