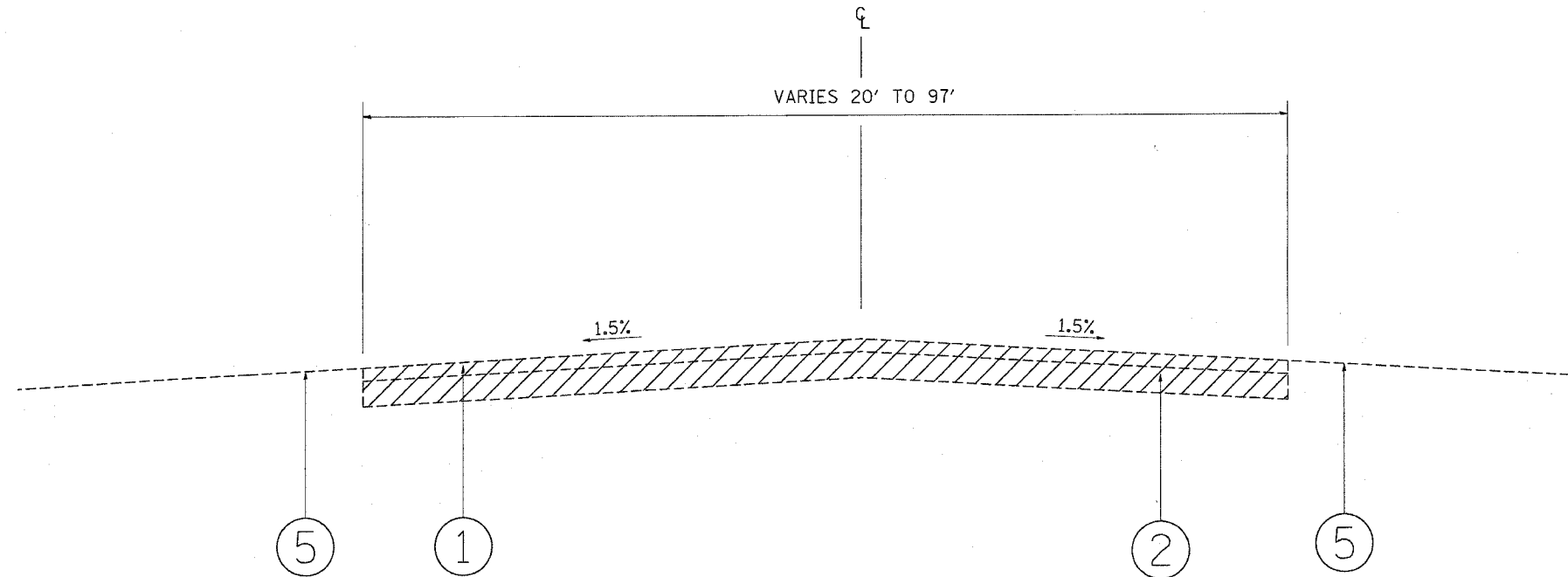
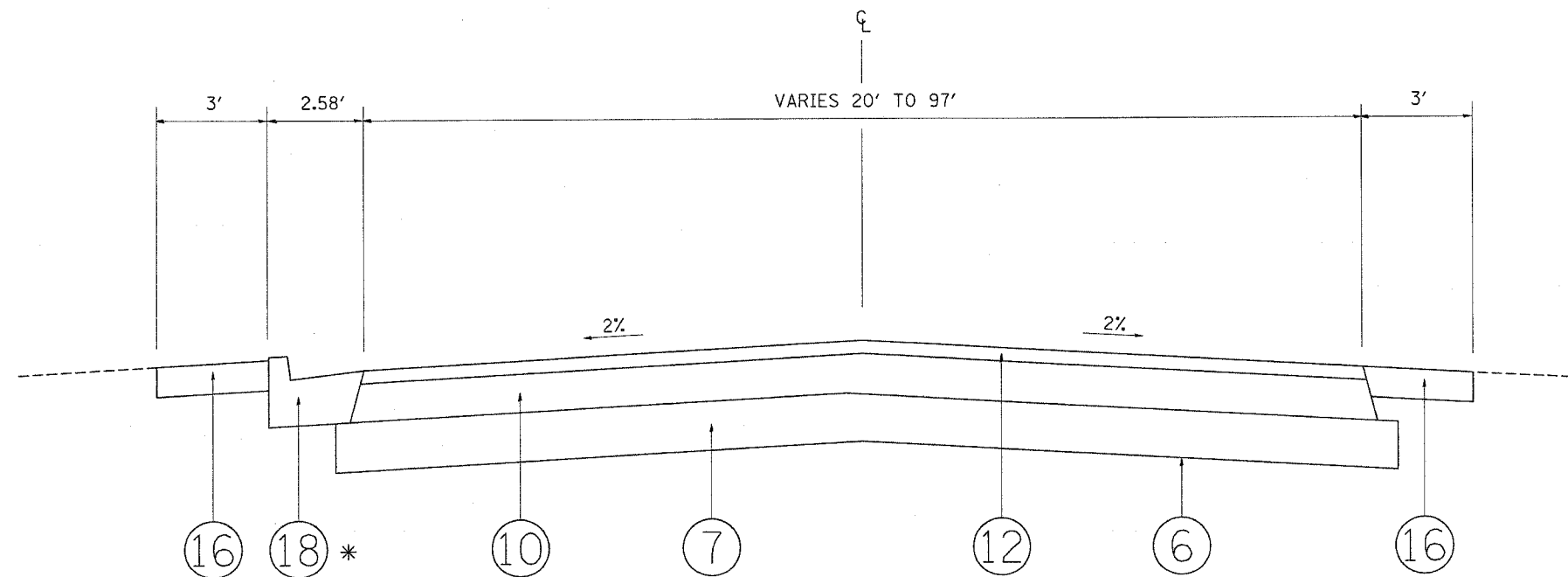


F.A.I. RTE.	SECTION	COUNTY	TOTAL SHEETS	SHEET NO.
*	2004-025 RS	LAKE	116	15
FED. ROAD DIST. NO. - ILLINOIS FED. AID PROJECT				
* PARK ROADS IDNR File No. 2-03-025 D91-191-04				



EXISTING TYPICAL SECTION
BOAT LAUNCH ROAD STA. 98+91 TO STA. 3+02.6



PROPOSED TYPICAL SECTION
BOAT LAUNCH ROAD STA. 98+91 TO STA. 3+02.6

* STA. 99+73 TO STA. 3+02.6

LEGEND

- ① EXISTING BITUMINOUS PAVEMENT, 3"
- ② EXISTING AGGREGATE BASE COURSE, 6"
- ③ EXISTING BITUMINOUS SHOULDER
- ④ EXISTING AGGREGATE SHOULDER
- ⑤ EXISTING GROUND COVER
- ⑥ PROPOSED GEOTECHNICAL FABRIC
- ⑦ PROPOSED AGGREGATE SUBGRADE, 12"
- ⑧ PROPOSED SUB-BASE GRANULAR MATERIAL, TYPE B, 6"
- ⑨ PROPOSED BITUMINOUS BASE COURSE, SUPERPAVE, 6"
- ⑩ PROPOSED BITUMINOUS BASE COURSE, SUPERPAVE, 7 1/2"
- ⑪ PROPOSED POLYMERIZED LEVELING BINDER (MACHINE METHOD) SUPERPAVE, IL-4.75, N50, 3/4"
- ⑫ PROPOSED BITUMINOUS CONCRETE SURFACE COURSE, SUPERPAVE, MIX "D", N50, 1 1/2"
- ⑬ PROPOSED BITUMINOUS SHOULDER, SUPERPAVE, 8"
- ⑭ PROPOSED AGGREGATE SHOULDER, 8"
- ⑮ PROPOSED AGGREGATE SHOULDER, TYPE B
- ⑯ PROPOSED TOPSOIL FURNISH AND PLACE, 4" (SPECIAL), SEEDING, CLASS 4A (MODIFIED), EROSION CONTROL BLANKET (SPECIAL)
- ⑰ PROPOSED CONCRETE SHOULDER
- ⑱ PROPOSED CONCRETE CURB AND GUTTER, TYPE B-6.24
- ⑲ SLOTTED DRAIN

REVISIONS		ILLINOIS DEPARTMENT OF TRANSPORTATION
NAME	DATE	
		PARK ROADS ILLINOIS BEACH STATE PARK NORTH POINT MARINA TYPICAL SECTIONS
SCALE: VERT. _____		DRAWN BY: CDT
DATE: _____		

PLOT DATE = 1/19/2006
 FILE NAME = c:\projects\p154482\design\p154482.dwg
 PLOT SCALE = 50.0000' / 1"