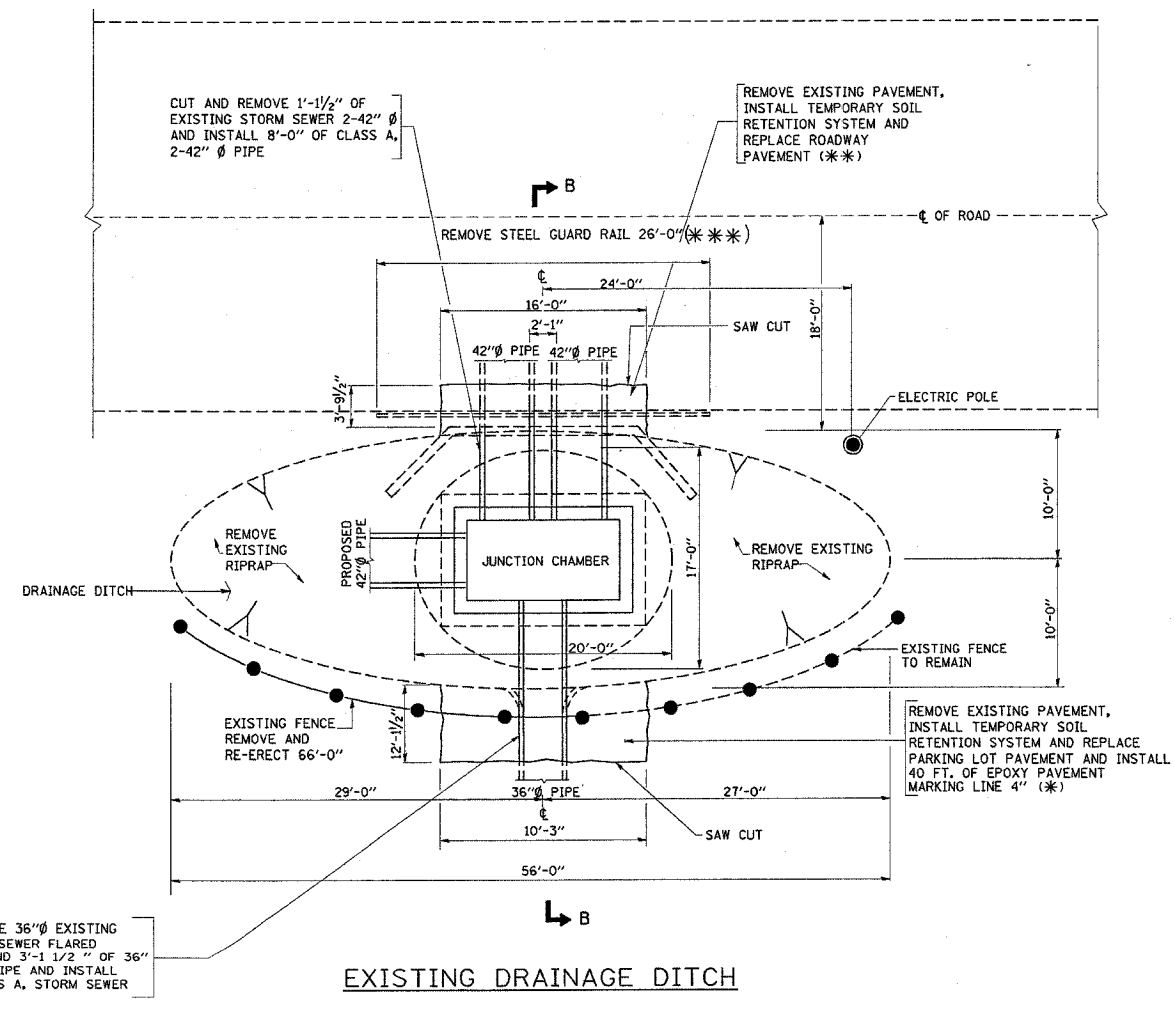
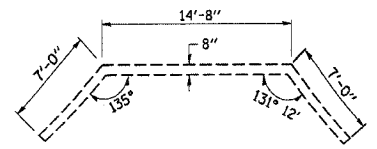


DISTRICT ONE - DESIGN PLAN PREPARATION ENGINEER JOHN FORTMANN / RUSS SINHA (847) 705-4209 / ATTENTION MARK V. TINIAKOS (847) 705-4266

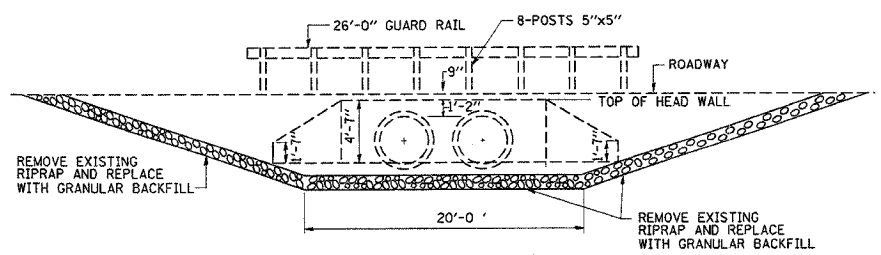
F.A.P. RTE.	SECTION	COUNTY	TOTAL SHEETS	SHEET NO.
*	2004-025 RS	LAKE	116	82
FED. ROAD DIST. NO. 1 ILLINOIS FED. AID PROJECT				
* PARK ROADS I.D.N.R. FILE NO.2-03-025 D91-191-04				CONTRACT NO. 62745



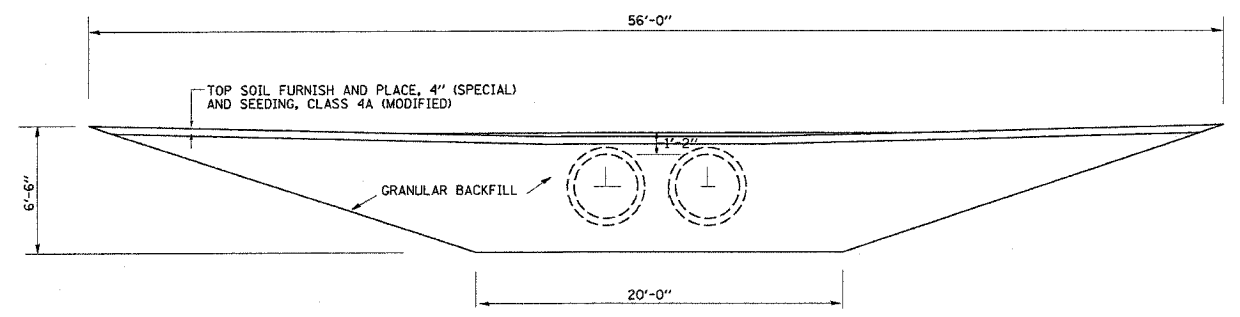
EXISTING DRAINAGE DITCH



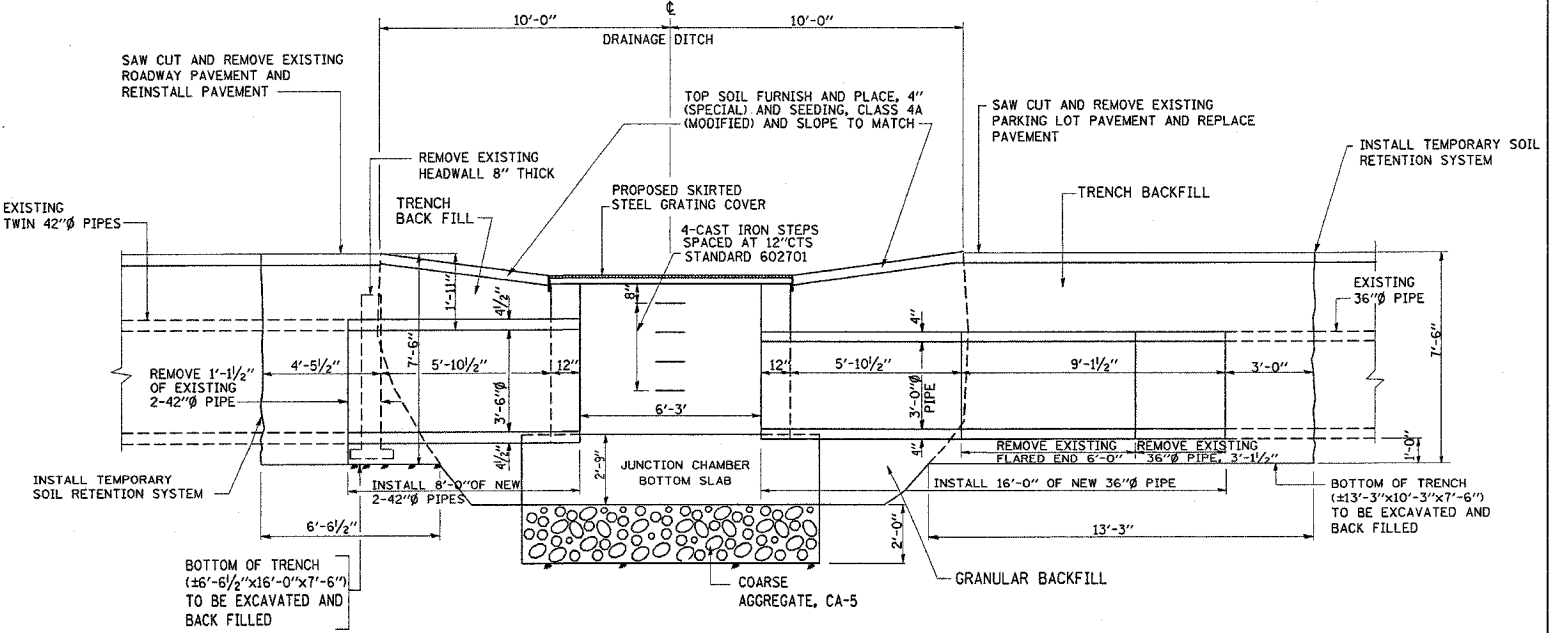
HEAD WALL PLAN (REMOVE EXISTING HEAD WALL)



HEAD WALL ELEVATION (EXISTING)



BACK FILL DRAINAGE DITCH



SECTION B-B

LEGEND:

- (*) INCLUDES INSTALLATION OF
 - (a) GEOTECHNICAL FABRIC.
 - (b) AGGREGATE SUBGRADE, 12".
 - (c) BITUMINOUS CONCRETE BINDER COURSE, SUPERPAVE IL 19.0, N50, 1 1/2".
 - (d) BITUMINOUS CONCRETE SURFACE COURSE, SUPERPAVE, MIX D, N50, 1 1/2". (SEE ROADWAY DWGS)
- (**) INCLUDES INSTALLATION OF
 - (e) GEOTECHNICAL FABRIC.
 - (f) AGGREGATE SUBGRADE, 12".
 - (g) BITUMINOUS BASE COURSE, SUPERPAVE, 7 1/2", AND
 - (h) BITUMINOUS CONCRETE SURFACE COURSE, SUPERPAVE, MIX D, N50, 1 1/2". (SEE ROADWAY DWGS)
- (***) FOR TRAFFIC CONTROL SEE ROADWAY DRAWINGS.

REVISIONS	
NAME	DATE

ILLINOIS DEPARTMENT OF TRANSPORTATION
ILLINOIS BEACH STATE PARK
(NORTH POINT MARINA)
JUNCTION CHAMBER
EXCAVATION AND DETAILS

SCALE: VERT. NONE
HORIZ. DATE: JANUARY, 2006
DRAWN BY: MVT
CHECKED BY: RSS