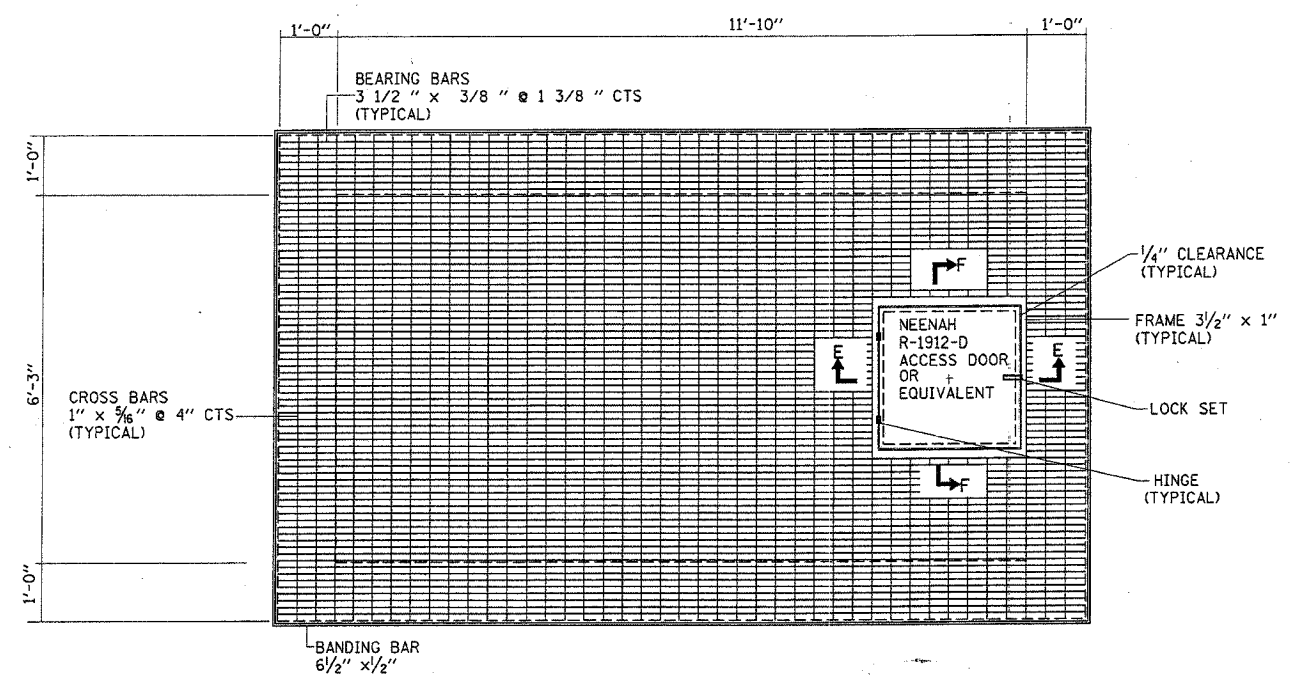


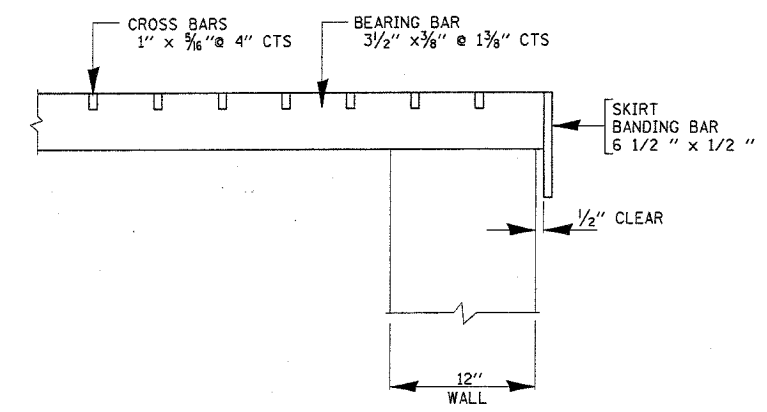
DISTRICT ONE - DESIGN
 PLAN PREPARATION ENGINEER JOHN FORTMANN / RUSS SINHA (847) 705-4209 / ATTENTION MARK V. TINIAKOS (847) 705-4266

SHEET 55 OF 56

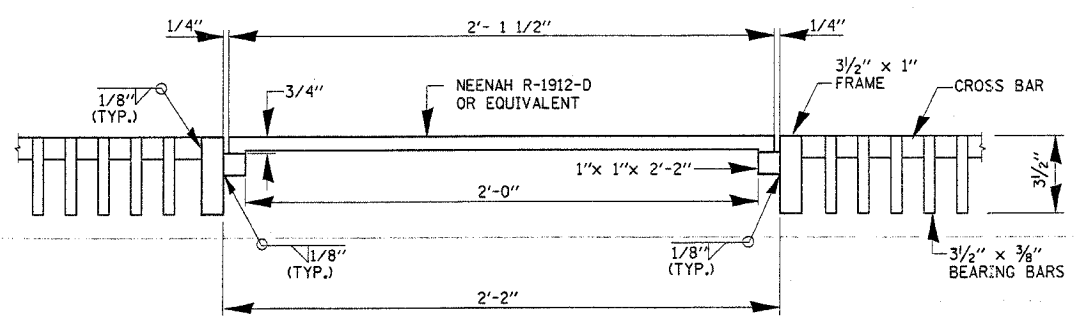
F.A.P. RTE.	SECTION	COUNTY	TOTAL SHEETS	SHEET NO.
•	2004-025 RS	LAKE	116	85
FED. ROAD DIST. NO. 1		ILLINOIS	FED. AID PROJECT	
• PARK ROADS			CONTRACT NO. 62745	
I.D.N.R. FILE NO. 2-03-025				
D91-191-04				



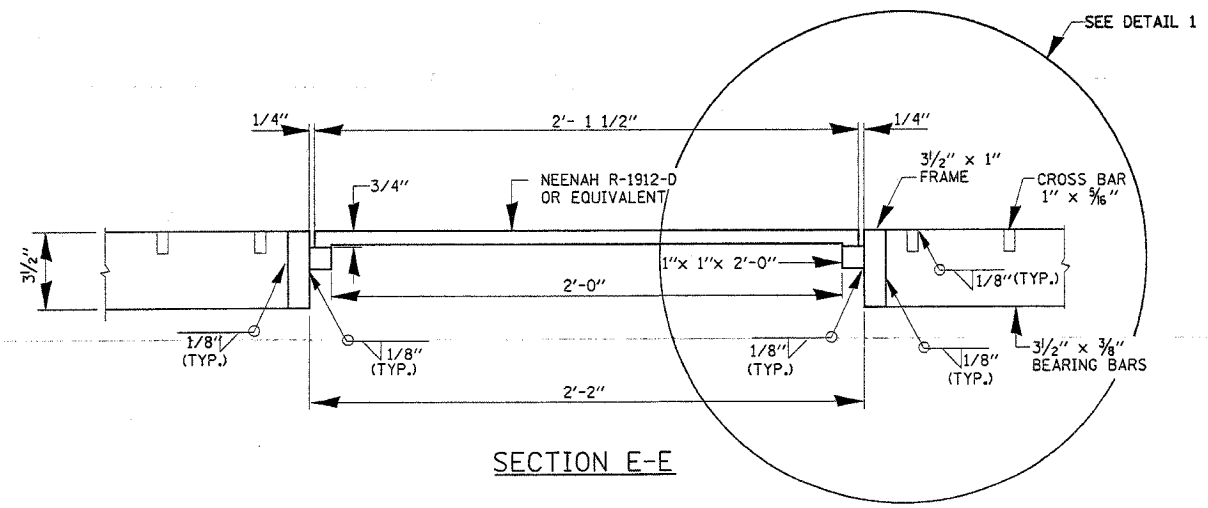
PLAN
 SKIRTED STEEL GRATING COVER



DETAIL 1
 (SKIRTED STEEL GRATING COVER)



SECTION F-F



SECTION E-E

REVISIONS	
NAME	DATE

ILLINOIS DEPARTMENT OF TRANSPORTATION
 ILLINOIS BEACH STATE PARK
 (NORTH POINT MARINA)
 SKIRTED STEEL GRATING COVER
 (DETAILS)

SCALE: VERT. NONE
 HORIZ. NONE
 DATE: NOVEMBER, 2005

DRAWN BY: MVT
 CHECKED BY: RSS