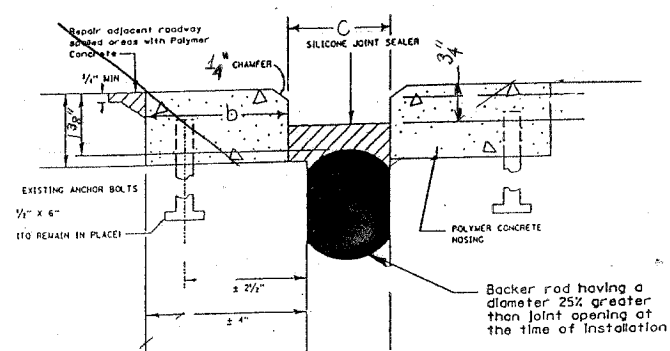
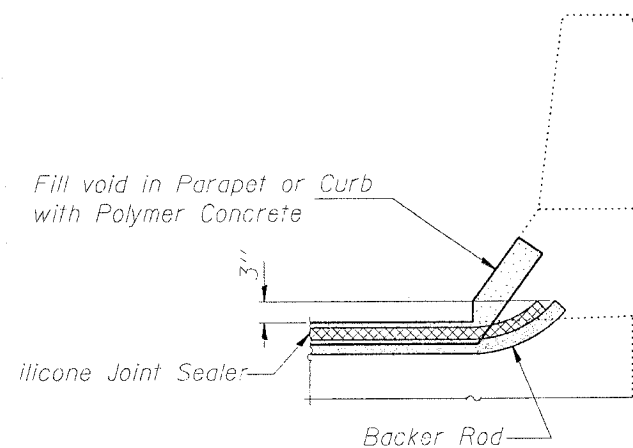


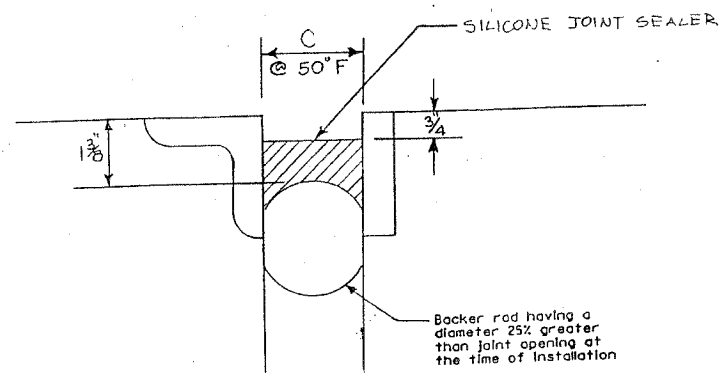
CONTRACT NO. 62940



EXISTING NEOPRENE
(SN. 022-0155)



TYPICAL END OF SEAL TREATMENT



EXISTING PJS
(SN. 022-0157)

DESIGN CHART

SN. 022-0157	SN. 022-0155	"C" Joint Opening at 50° F.	Length Contributing to Expansion	QUANTITY
		inch	feet	
		1	0 - 40	
S. ABUT.		1 1/2	40 - 80	36'
		2	80 - 120	
N. ABUT.	N. ABUT.	2 1/2	120 - 160	169'
	S. ABUT.	3	160 - 200	65'

Note: Cost of removal of existing expansion joint anchor blocks and seals is included with Silicone Joint Sealer.

REVISIONS	
NAME	DATE

ILLINOIS DEPARTMENT OF TRANSPORTATION

BRIDGE JOINT DETAILS

SCALE: VERT.
HORIZ.
DATE 4/23/2006

DRAWN BY
CHECKED BY