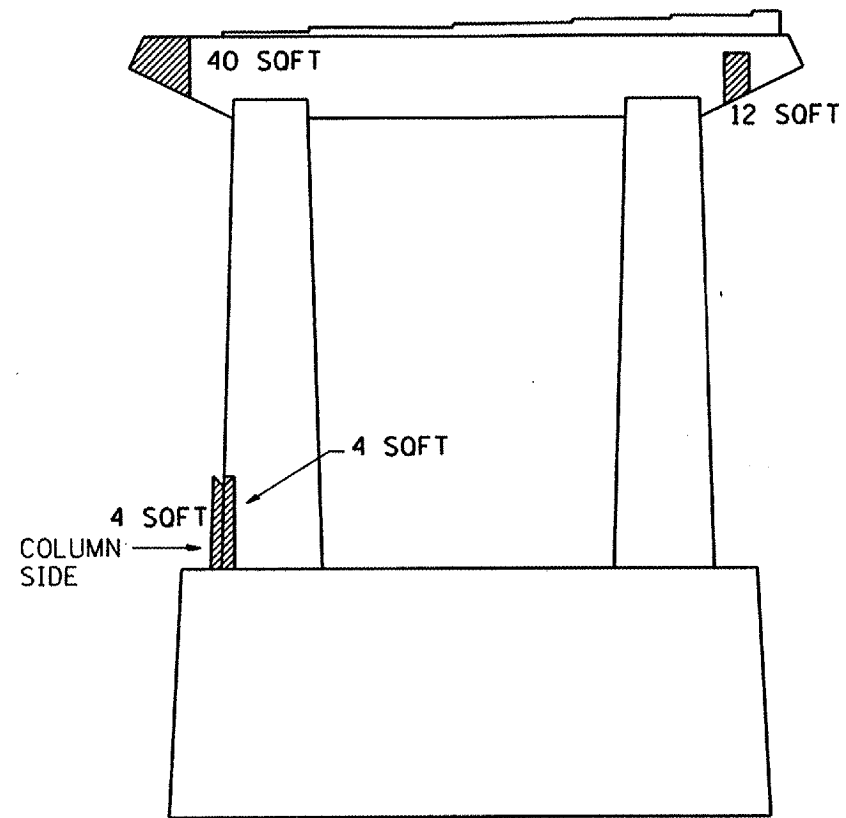
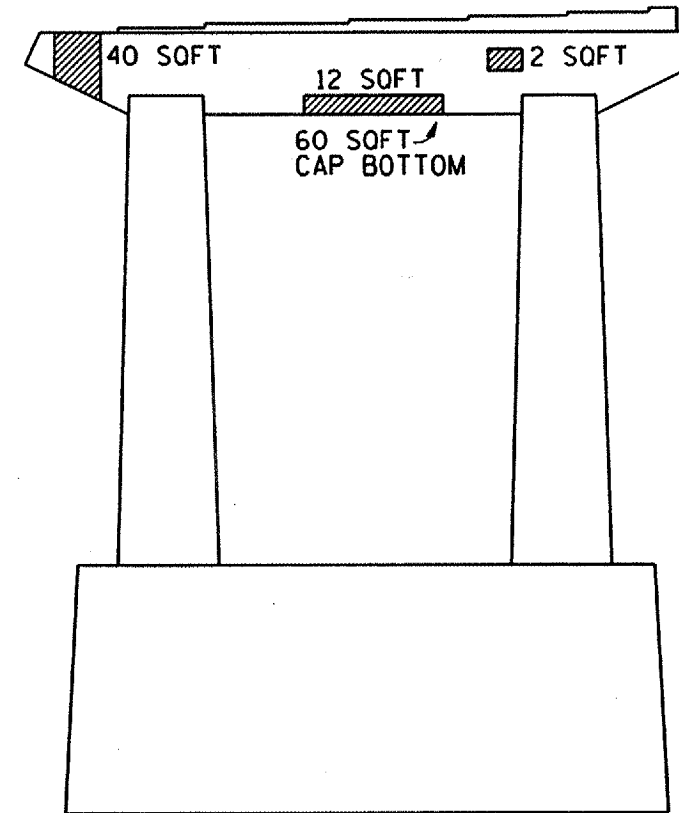


F.A.P. RTE.	SECTION	COUNTY	TOTAL SHEETS	SHEET NO.
345	8R-B-I-1	KANE	14	13

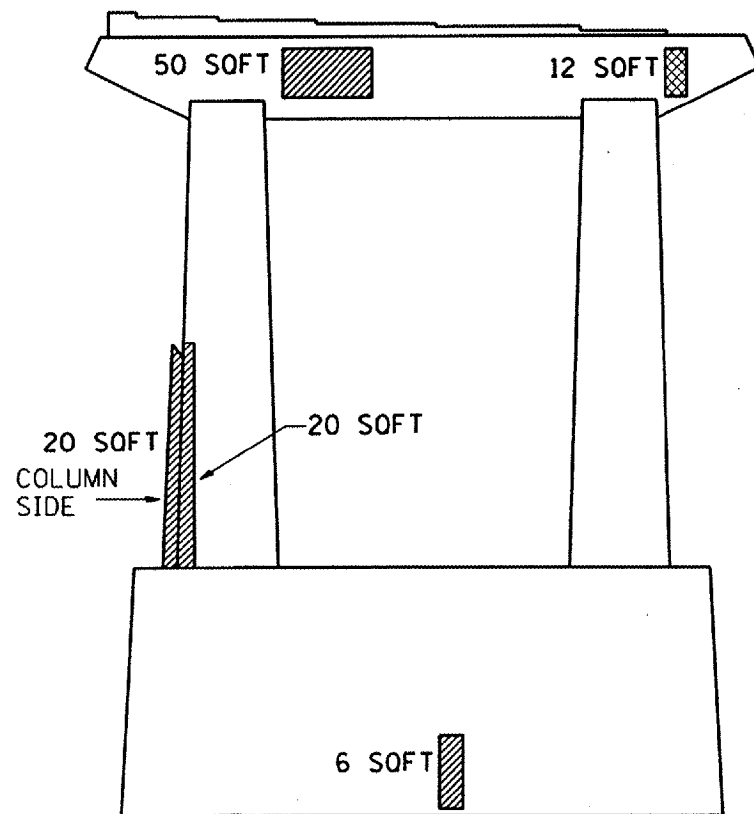
SHEET 8 OF 8



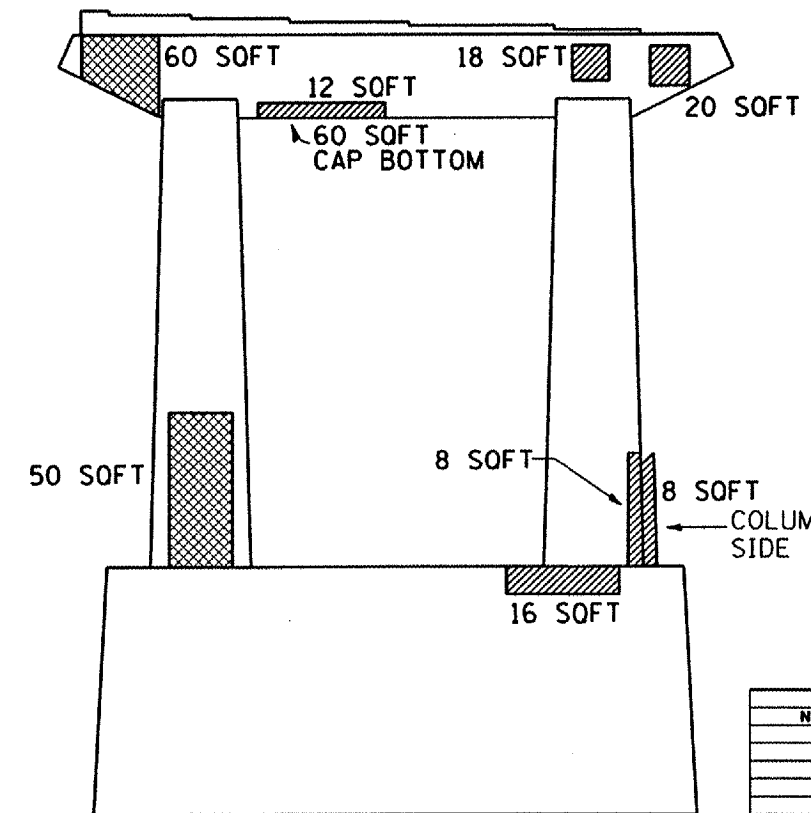
PIER #2
(WEST FACE)



PIER #4
(WEST FACE)



PIER #2
(EAST FACE)



PIER #4
(EAST FACE)

BILL OF MATERIAL

STRUCTURAL REPAIR OF CONCRETE	SO FT	534

AREAS DESIGNATED FOR STRUCTURAL REPAIR OF CONCRETE



SPALLS < 5"



SPALLS WITH EXPOSED REBAR < 5"

PLOT DATE: 2/28/2006
FILE NAME: c:\projects\21885\design\p
SCALE: 1/4" = 1'-0"
USER NAME: bkg

REVISIONS	
NAME	DATE

ILLINOIS DEPARTMENT OF TRANSPORTATION
US 20 OVER FOX RIVER
PIER REPAIRS
SN 045-0004

SCALE: VERT.
HORIZ.
DATE

DRAWN BY
CHECKED BY