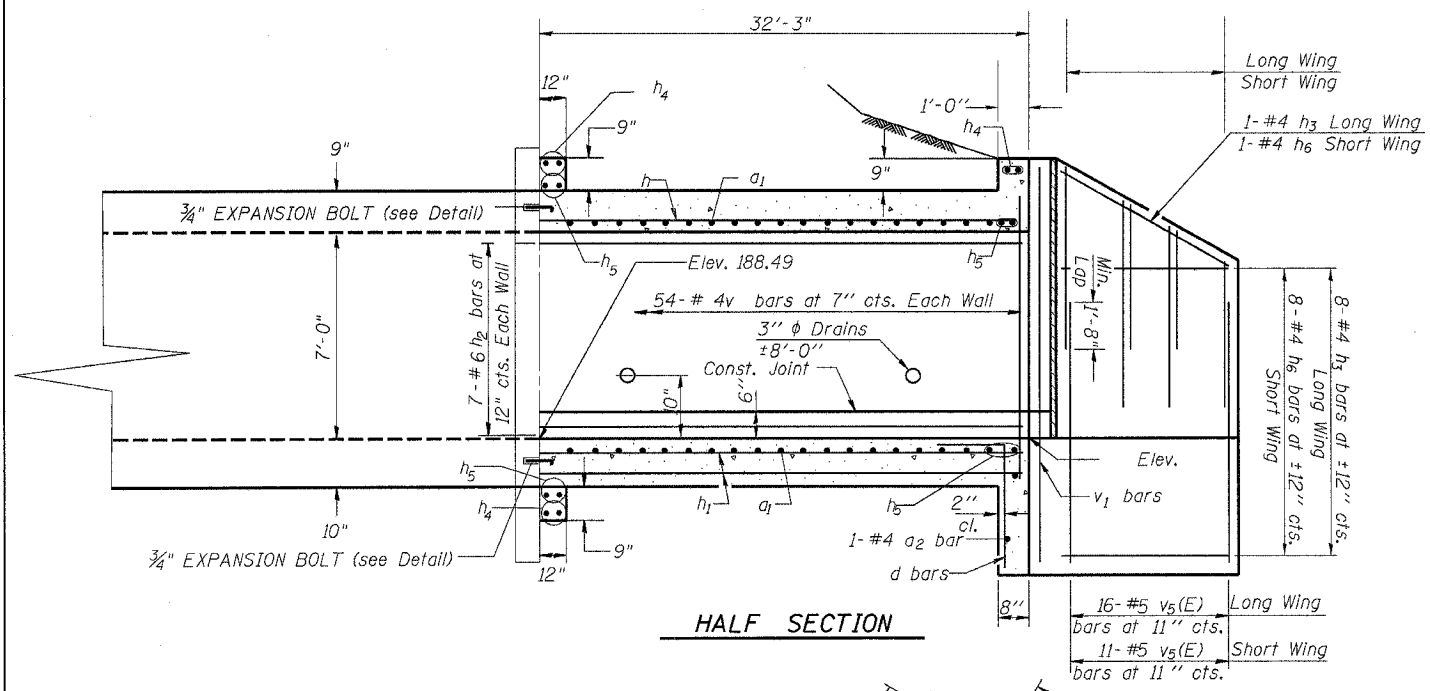
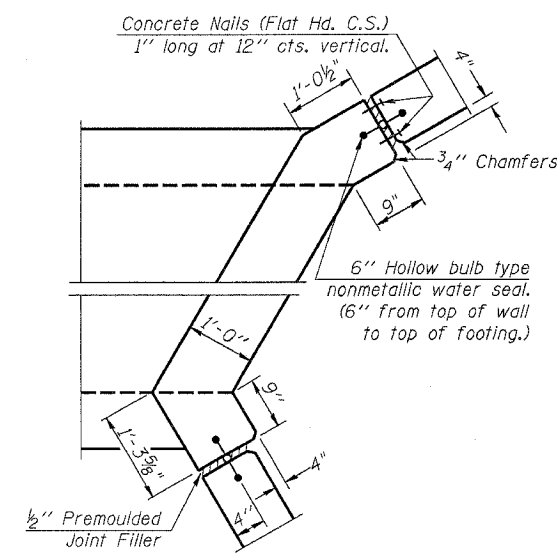


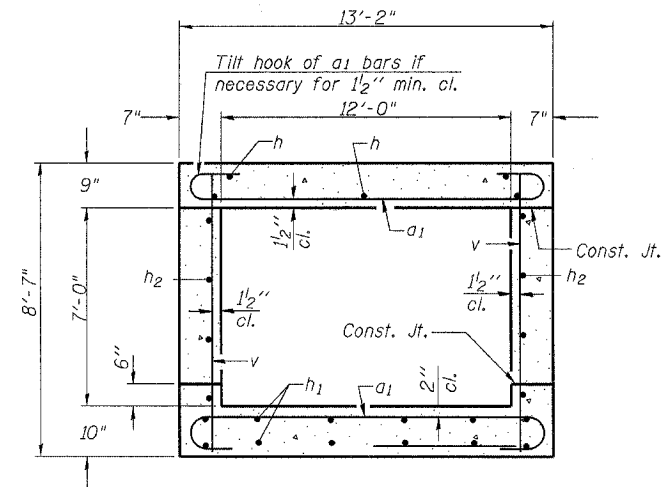
F.A.P. RTE.	SECTION	COUNTY	TOTAL SHEETS	SHEET NO.
742	40-M	WINNEBAGO	165	86
STA.		TO STA.		
FED. ROAD DIST. NO.		ILLINOIS FED. AID PROJECT		



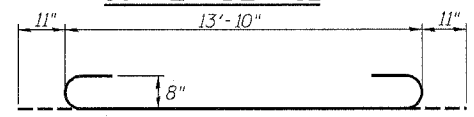
HALF SECTION



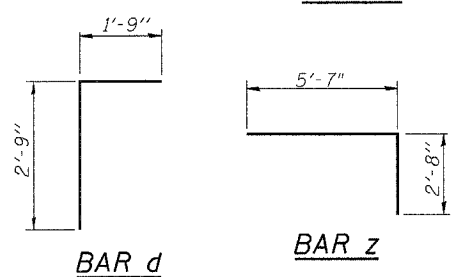
CORNER DETAIL



SECTION THRU BARREL

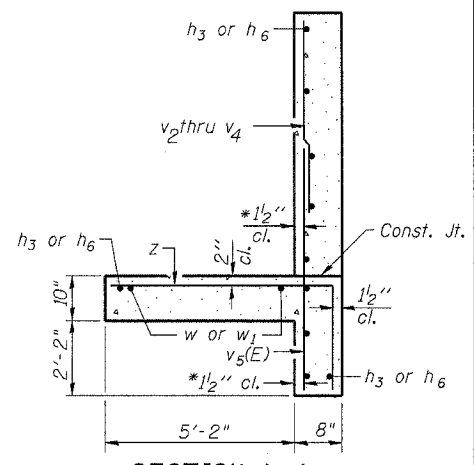


BAR a1



BAR d

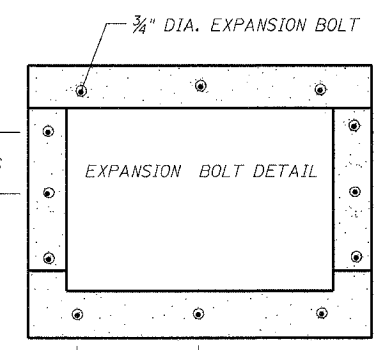
BAR z



SECTION A-A

* v bars shall not be placed more than 1/2 inch cl. from back face of wingwall.

SECTION THRU HEADWALL (Up Stream End Only)



DESIGN STRESSES

fy = 60,000 psi
f'c = 3,500 psi

Max. Soil Pressure under footing = 3081 psf

LOADING HS 20-44 & ALT.

BILL OF MATERIAL

Bar	No.	Size	Length	Shape
a1	126	#8	15'-10"	U
a2	1	#4	11'-10"	—
d	13	#4	4'-6"	—
h	15	#6	31'-3"	—
h1	22	#5	31'-3"	—
h2	14	#6	31'-3"	—
h3	11	#4	14'-6"	—
h4	6	#6	14'-0"	—
h5	8	#6	14'-0"	—
h6	12	#4	9'-6"	—
v	114	#4	8'-4"	—
v1	4	#4	10'-8"	—
v2	9	#5	7'-6"	—
v3	9	#5	6'-5"	—
v4	9	#5	5'-8"	—
v5(E)	27	#5	5'-3"	—
k	16	#4	5'-0"	—
w	7	#5	14'-6"	—
w1	7	#5	9'-6"	—
z	47	#7	8'-3"	—
Concrete Structure		Cu. Yd.	47.7	
Reinforcement Bars, Epoxy Coated		Pound	147.8	
Reinforcement Bars		Pound	9082.1	
Expansion Bolts 3/4"		Each	22	

SHOWING REINFORCEMENT AND OUTLINES

PLAN NOTES

Exposed edges shall be beveled 3/4 inch.
Reinforcement Bars shall conform to the requirements of AASHTO M-31, M-42 or M-53, Grade 60.
Bars indicated thus 12 x 4-#15 etc. indicates 12 lines of bars with 4 lengths per line.
All dimensions are in millimeters (mm) except as noted.
Reinforcement bars designated (E) shall be epoxy coated.
All construction joints shall be bonded.

PLOT DATE = Fri May 26 14:45:54 2006
FILE NAME = C:\projects\2006\2006_05_26\2006_05_26_14_45_54.dwg
USER NAME = jordan