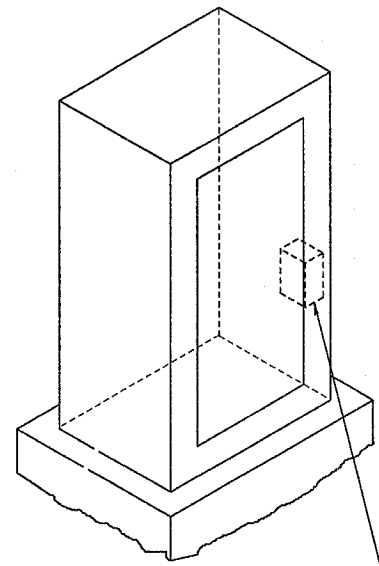
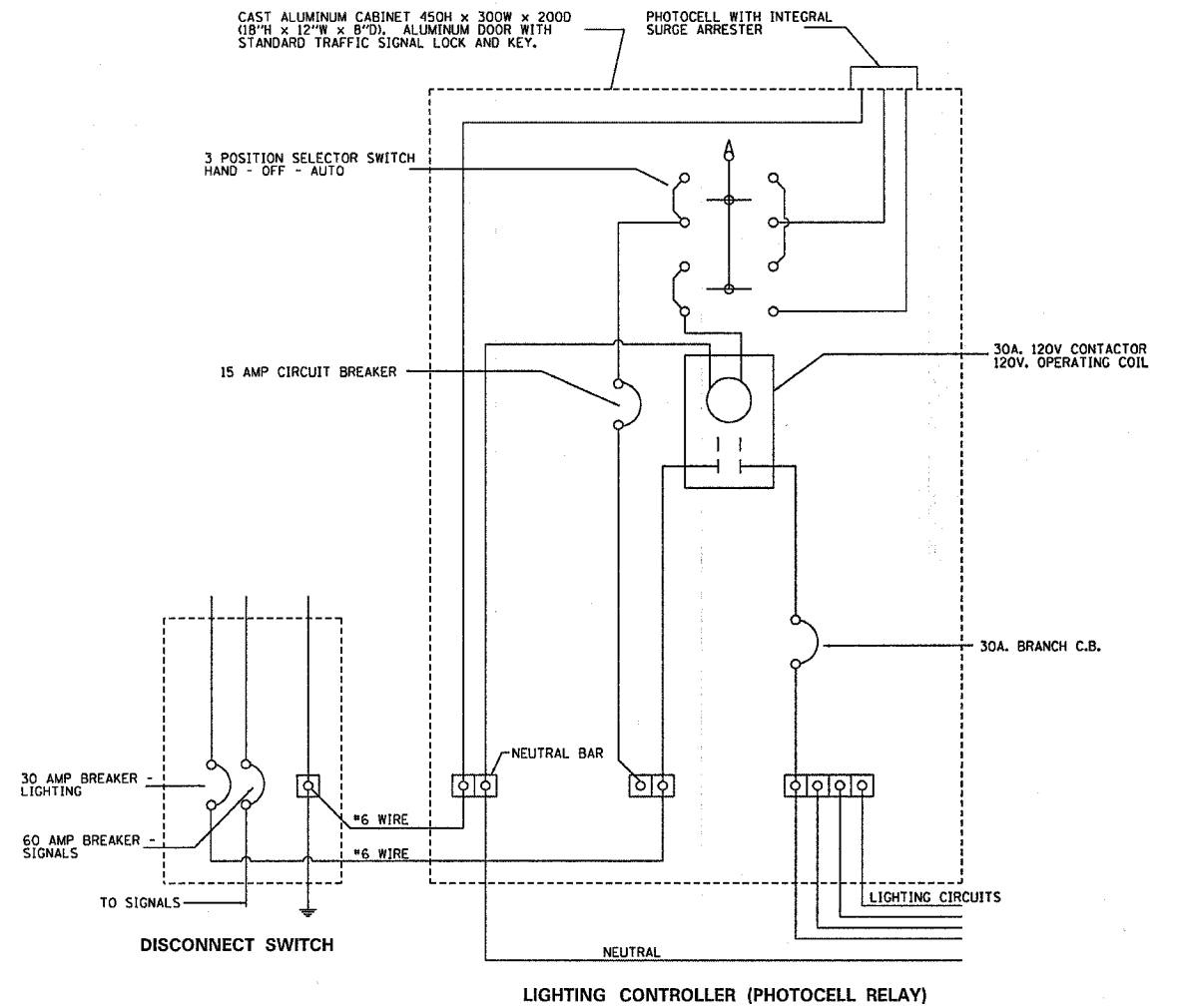
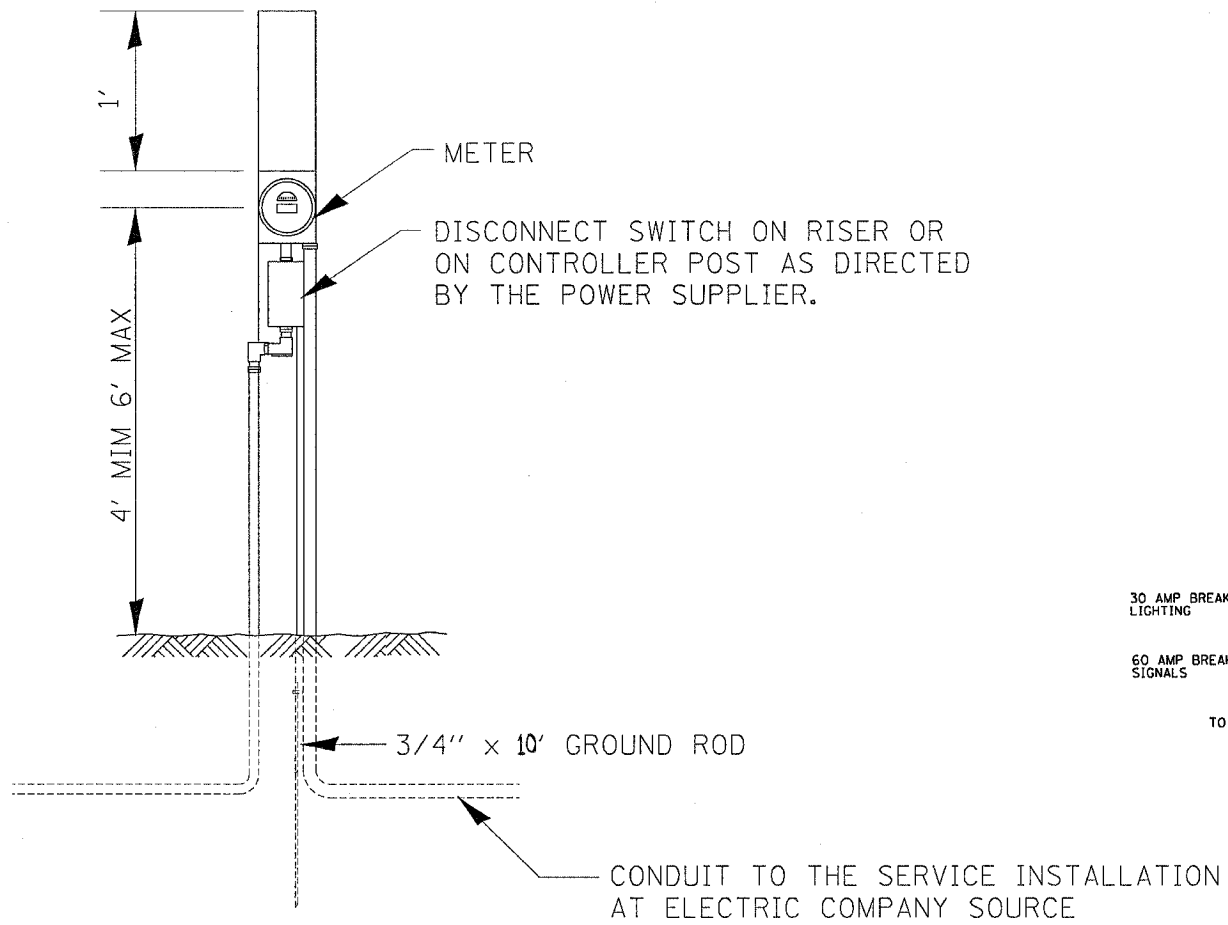


CONTRACT NO. 64820			
F.A.P. RTE.	SECTION	COUNTY	TOTAL SHEETS
742	40-M	WINNEBAGO	165
STA.		TO STA.	
FED. ROAD DIST. NO.	ILLINOIS	FED. AID PROJECT	



LIGHTING CONTROLLER



ELECTRIC SERVICE INSTALLATION, SPECIAL
(SEE SPECIAL PROVISIONS)
(DETAIL ONLY SHOW GENERAL SERVICE
WHICH VARIES BY PROVIDERS)

REVISIONS	
NAME	DATE

ILLINOIS DEPARTMENT OF TRANSPORTATION

SCALE: VERT. / HORIZ.
DATE
DRAWN BY
CHECKED BY

TRAFFIC SIGNAL DETAILS

PLT DATE = Mon Apr 03 11:30:43 2006
FILE NAME = g:\projects\6328002\6328002\ref.dgn
USER NAME = jrsdshd