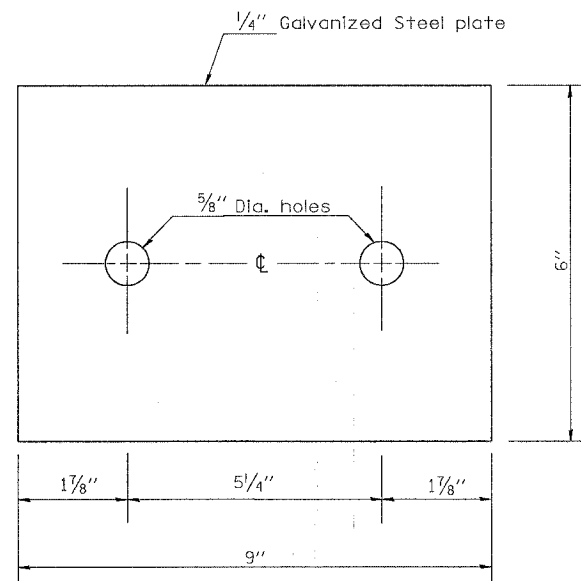
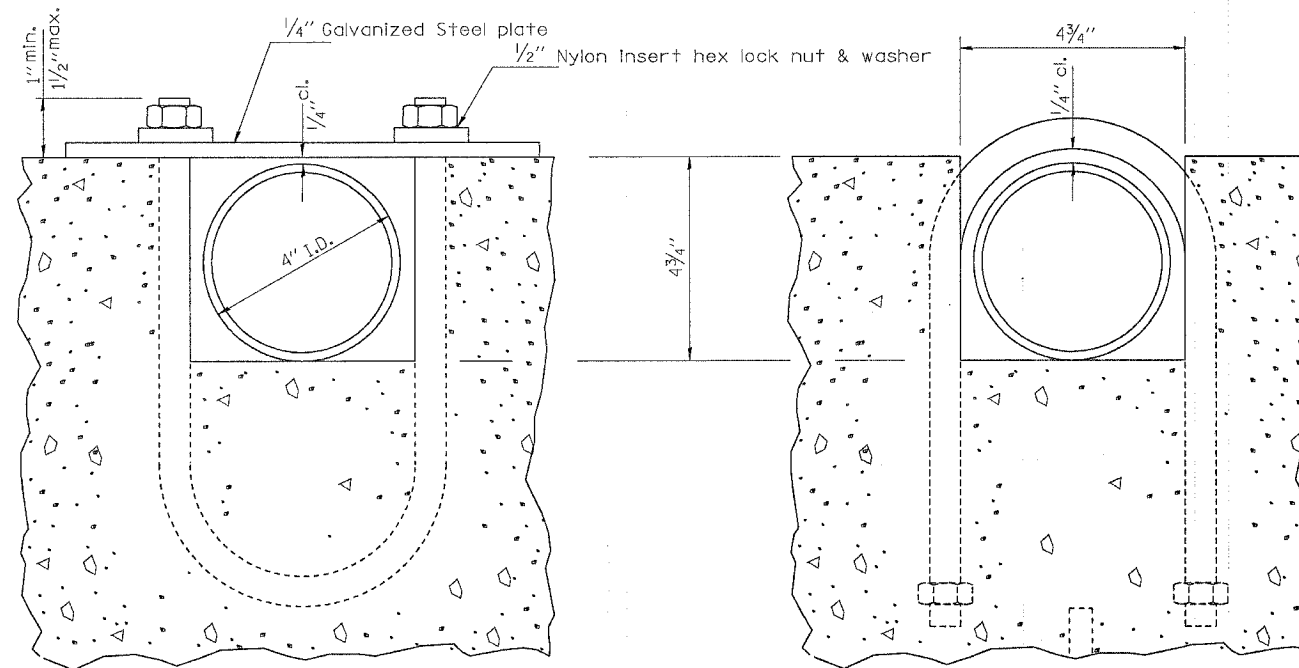


| F.A.P. RTE. | SECTION | COUNTY | TOTAL SHEETS | SHEET NO. |
|---------------------|---------|---------------------------|--------------|-----------|
| 742 | 40-M | WINNEBAGO | 165 | 101 |
| STA. | | TO STA. | | |
| FED. ROAD DIST. NO. | | ILLINOIS FED. AID PROJECT | | |

GRATED INLET SPECIAL STA 336 + 60 LT

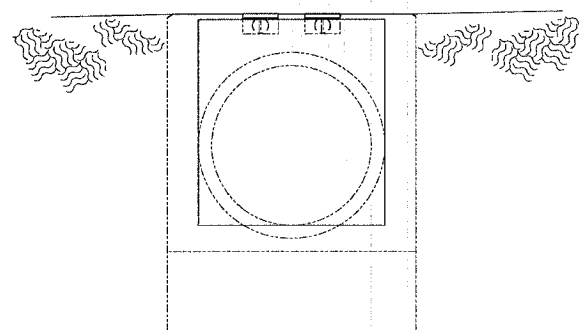


TOP ANCHOR PLATE
(2 - required)

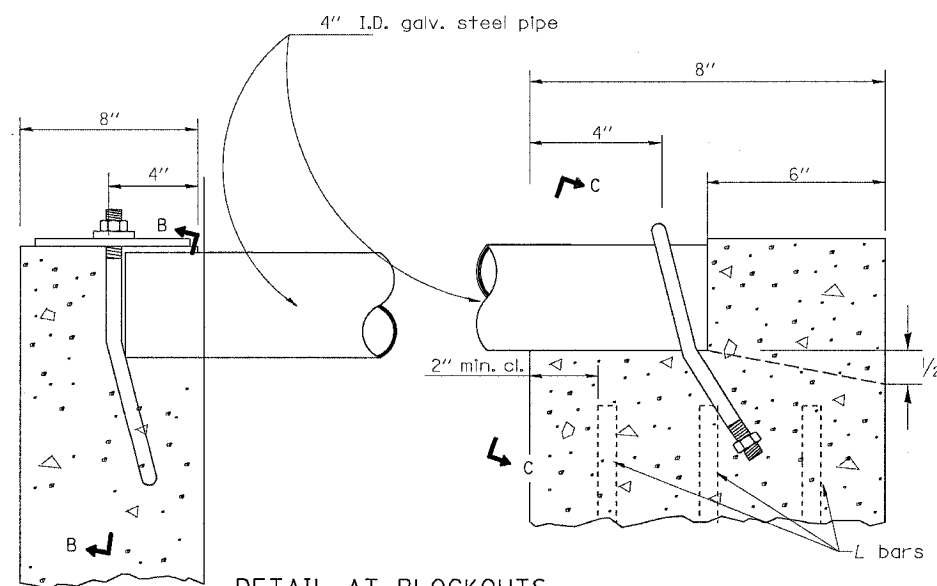


SECTION B-B

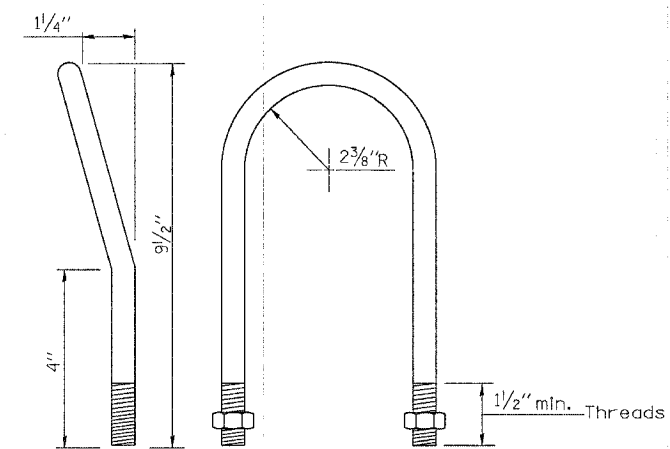
SECTION C-C



END VIEW



DETAIL AT BLOCKOUTS



1/2" U BOLT
(4 - required)

NOTE:

This work shall be done in accordance with Section 602 of the Standard Specifications.

All labor, materials, & equipment required to construct GRATED INLET shall be paid for at the contract unit price per each GRATED INLET SPECIAL.