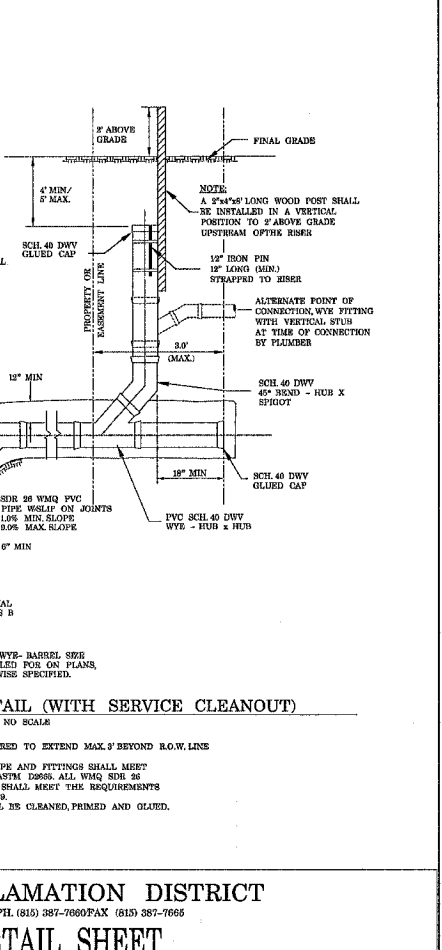
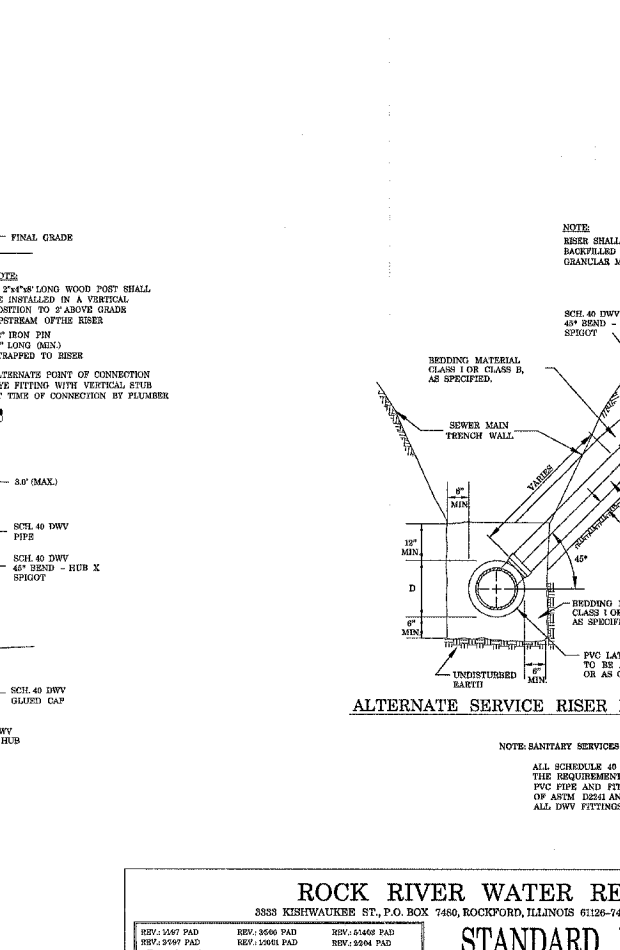
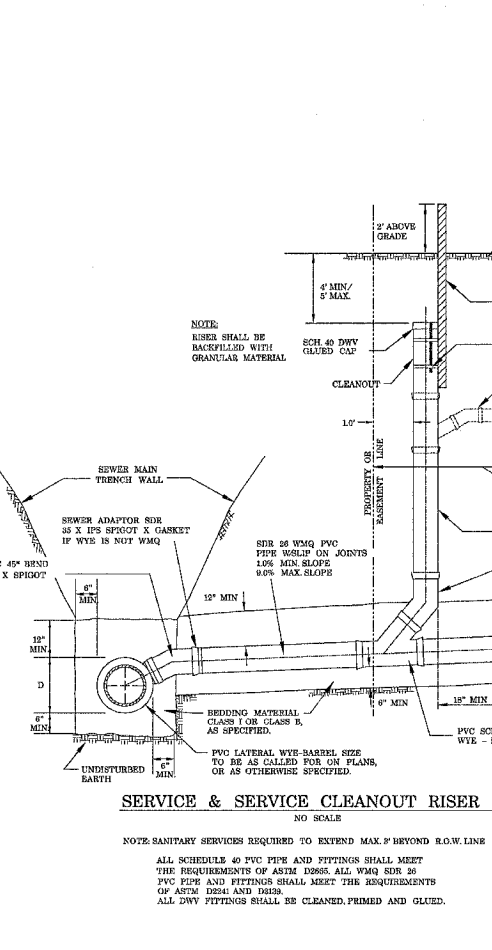
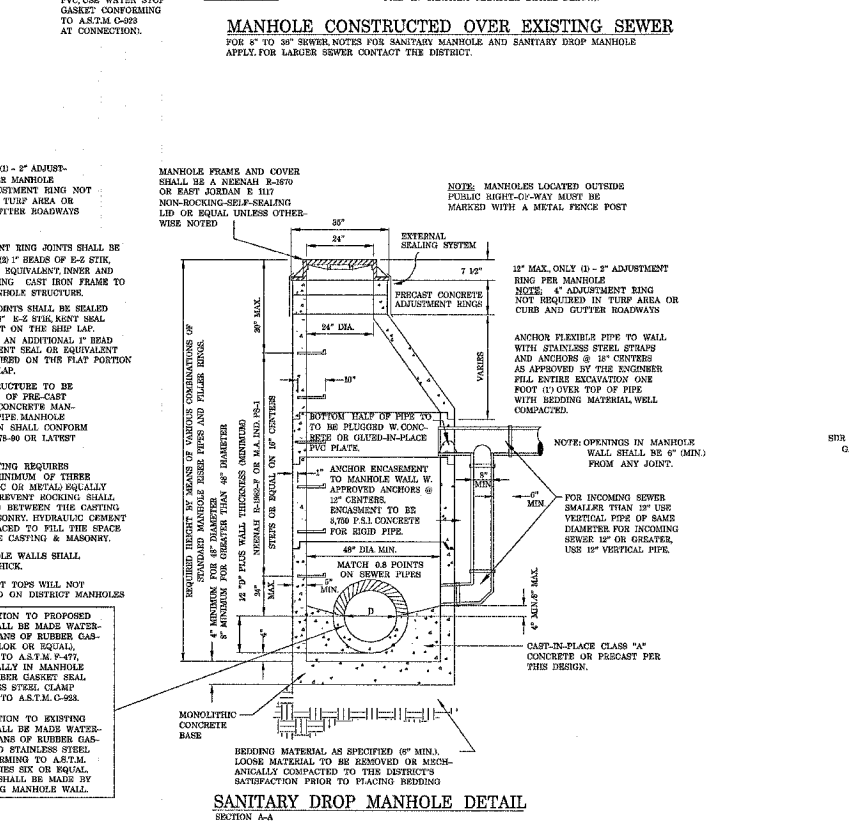
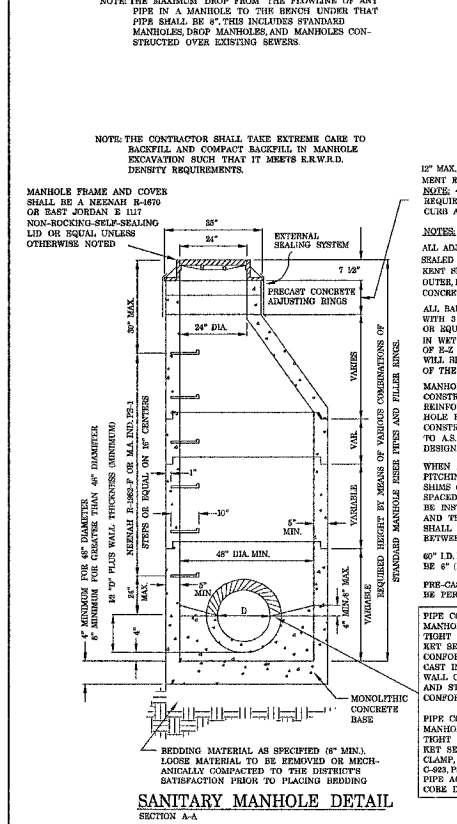
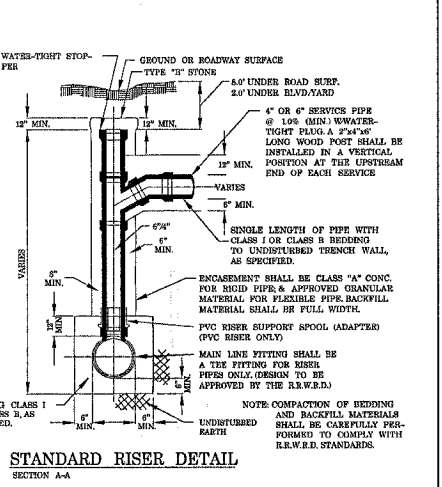
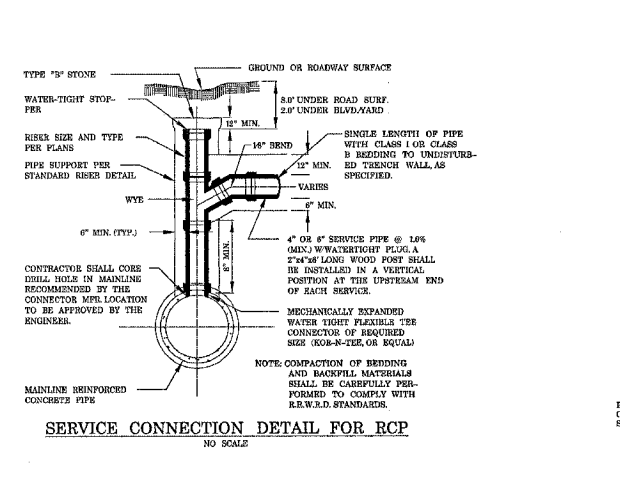
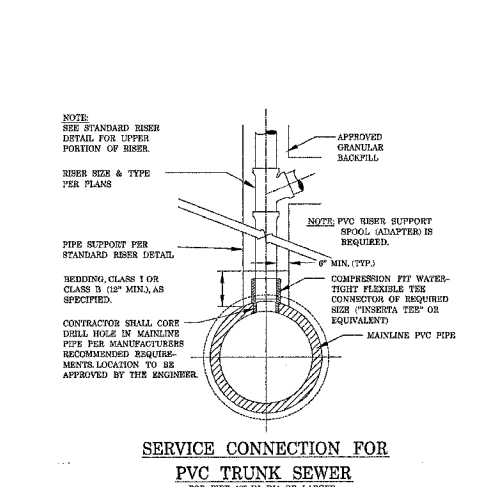
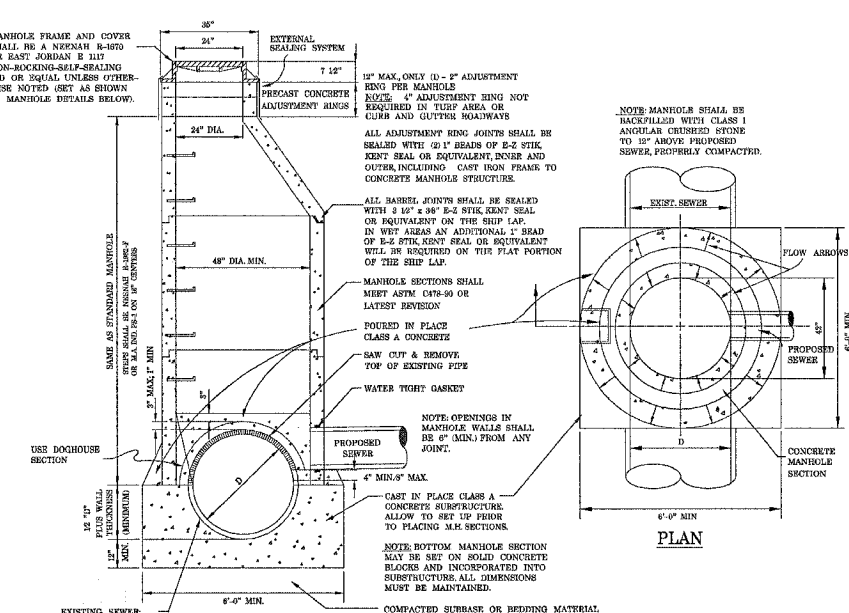
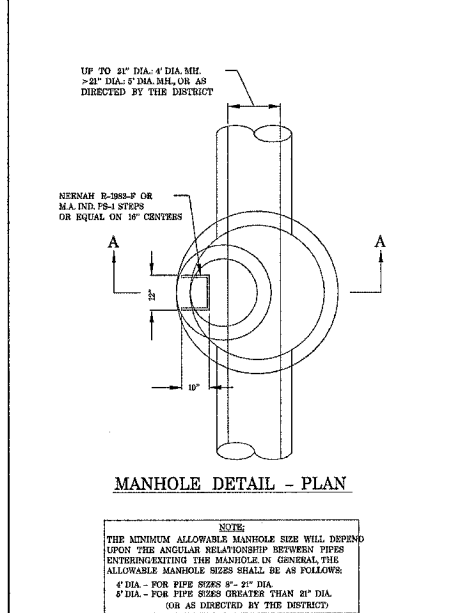
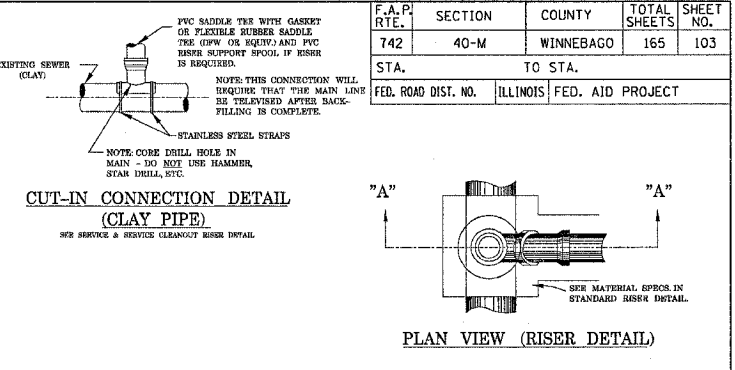
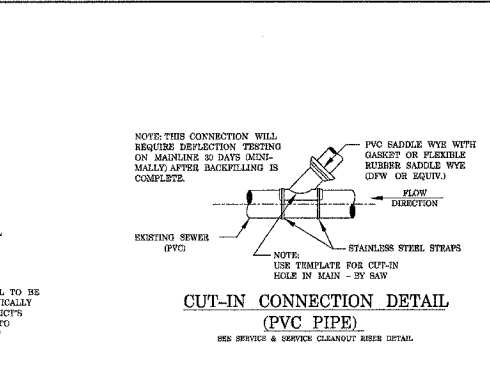
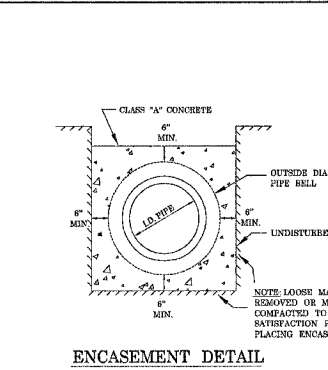
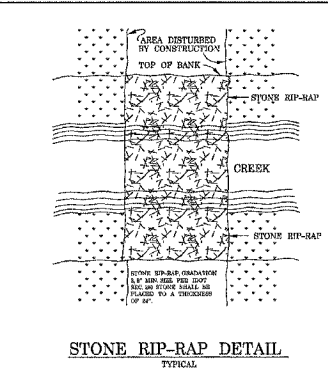
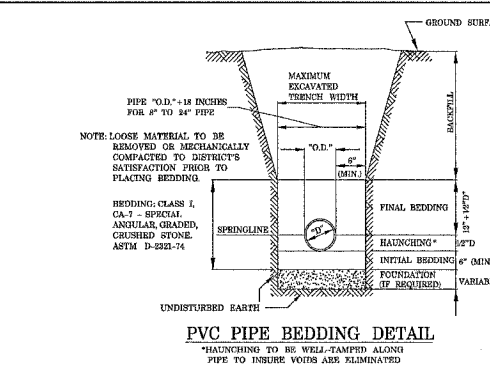
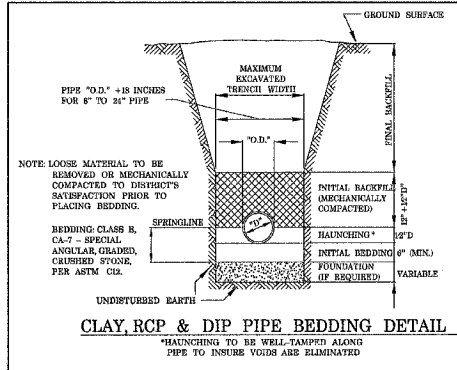


F.A.P. RTE.	SECTION	COUNTY	TOTAL SHEETS	SHEET NO.
742	40-M	WINNEBAGO	165	103
STA.	TO STA.			
FED. ROAD DIST. NO.	ILLINOIS	FED. AID PROJECT		



PLT DATE = Nov. 02 11:21:11 2005
 PLT SCALE = 1/8"=1'-0"
 USER NAME = jordanb

ROCK RIVER WATER RECLAMATION DISTRICT
 3833 KISHWAUKEE ST., P.O. BOX 7450, ROCKFORD, ILLINOIS 61126-7450 - PH. (815) 397-7800 FAX (815) 387-7666

REV. 1/14/01 PAD	REV. 3/26/01 PAD	REV. 5/24/01 PAD
REV. 5/29/01 PAD	REV. 1/26/01 PAD	REV. 8/24/01 PAD
REV. 3/19/01 PAD	REV. 3/26/01 PAD	REV. 5/24/01 PAD

STANDARD DETAIL SHEET