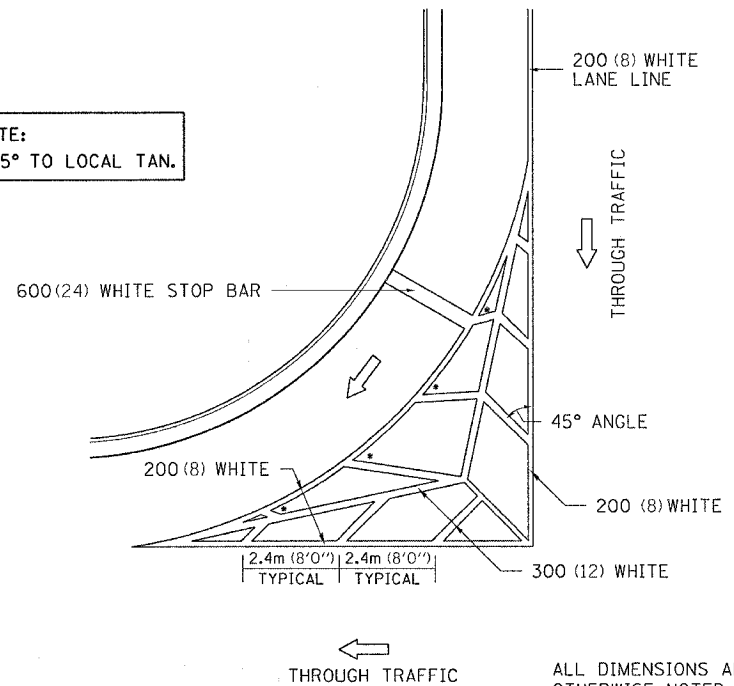


F.A.P. RTE.	SECTION	COUNTY	TOTAL SHEETS	SHEET NO.
742	40-M	WINNEBAGO	165	107
STA.		TO STA.		
FED. ROAD DIST. NO.		ILLINOIS FED. AID PROJECT		

TYPICAL MARKING FOR PAINTED ISLANDS

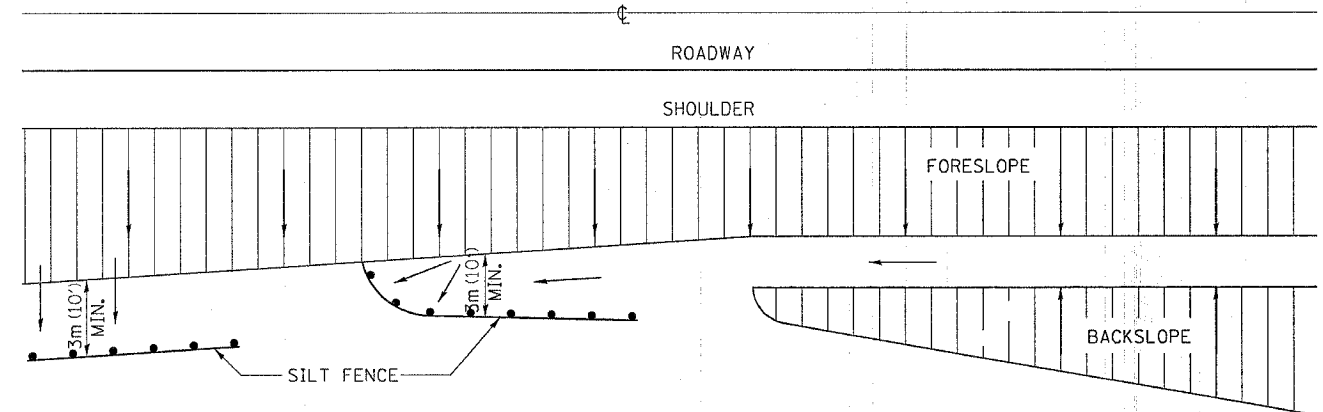
NOTE:
* 45° TO LOCAL TAN.



ALL DIMENSIONS ARE IN MILLIMETERS (INCHES) UNLESS OTHERWISE NOTED.

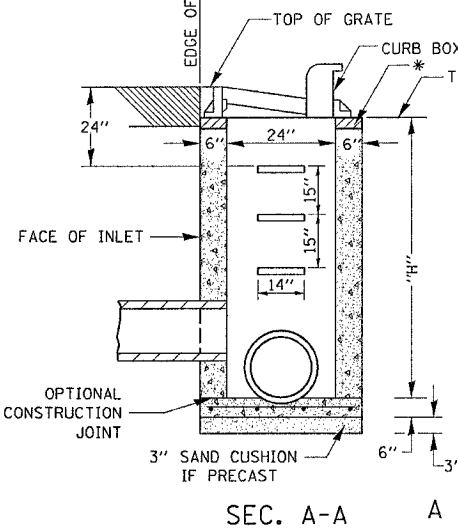
TYPICAL MARKING FOR PAINTED ISLANDS 93.4

EROSION CONTROL DETAILS FOR SILT FENCE

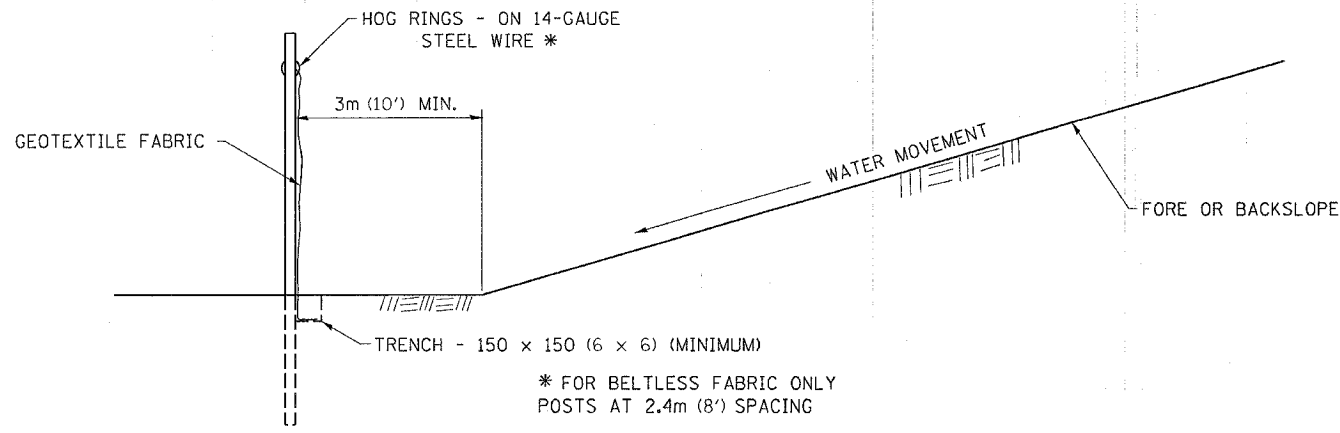
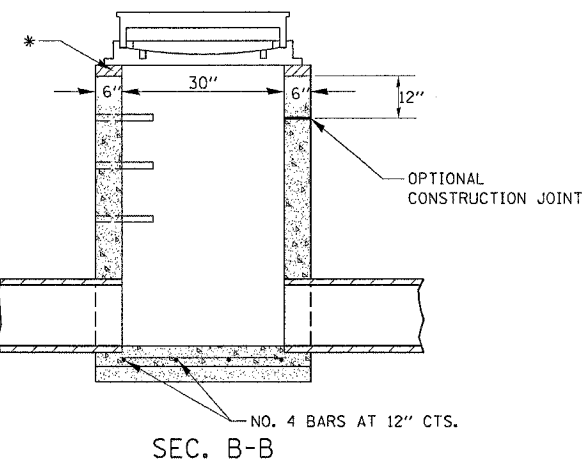


INLET SPECIAL NO. 2

REVISED 2-7-05



* THE WALL ADJUSTMENTS SHALL BE MADE WITH CONCRETE BUILDING BRICK OR CLASS SI CONCRETE.
THE HEIGHT OF THE BOX MAY BE CONSTRUCTED 6" SHORT TO ALLOW FOR FIELD ADJUSTMENTS.



DETAILS OF SILT FENCE

NOTES
SEE STANDARD 602701 FOR DETAILS OF STEPS.
USE STANDARD 604051-02 FOR FRAME AND GRATE TYPE II EXCEPT AS NOTED HEREON INLET SPECIAL SHALL BE CONSTRUCTED IN ACCORDANCE WITH SECTION 602 OF THE STANDARD SPECIFICATIONS.
THE SIDE WALLS MAY BE BUILT AS PRECAST SEGMENTED SECTIONS.
ALL VOIDS AROUND PIPE ENTRANCE, BOTH INSIDE AND OUTSIDE, SHALL BE SEALED WITH MORTAR.

NOTES
WEIGHT OF CAST IRON FRAME & GRATE = 530 LBS ± . STEPS SHALL BE OMITTED WHEN DEPTH OF 'H' IS LESS THAN 5'.
CLASS SI CONCRETE OR PRECAST CONCRETE SHALL BE USED THROUGHOUT.
PRECAST CONCRETE SHALL BE IN ACCORDANCE WITH SECTION 504.01 THRU 504.05 OF THE STANDARD SPECIFICATIONS EXCEPT THAT CONCRETE STRENGTH SHALL BE 4,000 PSI AFTER 28 DAYS.
THE CONTRACT UNIT PRICE EACH FOR INLET SPECIAL SHALL INCLUDE THE COST OF CONSTRUCTING THE INLET BOX, FURNISHING AND INSTALLING THE FRAME AND GRATE, THE CAST IRON STEPS (IF USED), THE PRECAST FLOOR SLABS, SAND CUSHION (WHEN USED) AND REINFORCEMENT BARS.

ALL DIMENSIONS ARE IN MILLIMETERS (INCHES) UNLESS OTHERWISE NOTED.

PLOT DATE = Mon Apr 03 11:22:58 2006
 PLOT NAME = I:\Projects\64820\29.2\29.2.dgn
 PLOT SCALE = 1/8" = 1'-0"
 REFERENCE = REF