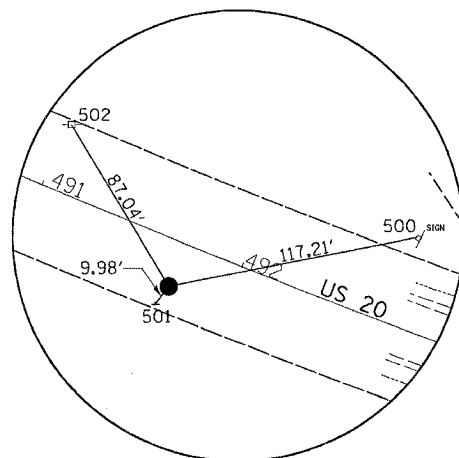
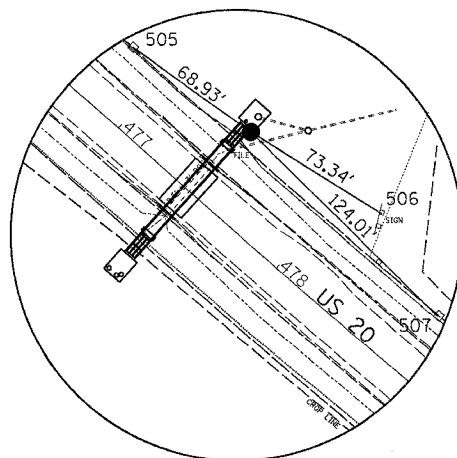


F.A.P. RTE.	SECTION	COUNTY	TOTAL SHEETS	SHEET NO.
301	21T	STEPHENSON	49	9
STA.		TO STA.		
FED. ROAD DIST. NO.		ILLINOIS	FED. AID PROJECT	

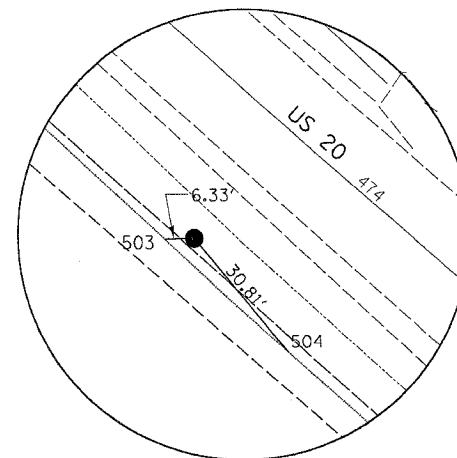
HORIZONTAL & VERTICAL CONTROL



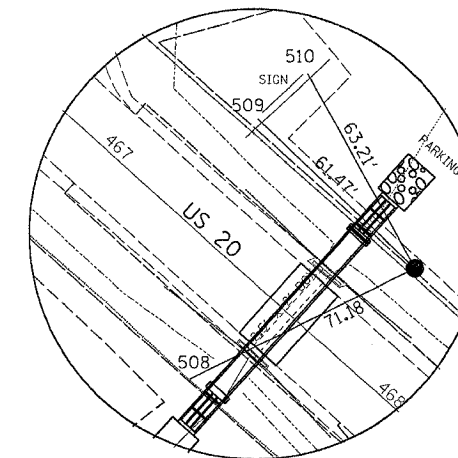
HORIZONTAL CONTROL POINT NO. 2



HORIZONTAL CONTROL POINT NO. 3



HORIZONTAL CONTROL POINT NO. 4



HORIZONTAL CONTROL POINT NO. 5

HORIZONTAL CONTROL POINTS

POINT	NORTH	EAST	ELEVATION	CHAIN	STATION	OFFSET	DESCRIPTION
1	2062100.4770	2408143.7270	914.9230	us20	499+34.3705	32.1997' LT	GPS CONTROL POINT
2	2062269.0740	2407400.4270	922.5150	us20	491+71.8874	21.0056' RT	GPS CONTROL POINT
3	2063069.3270	2406233.5700	912.7480	us20	477+48.0249	40.4376' LT	GPS CONTROL POINT
4	2063272.8540	2405899.4520	917.6470	us20	473+63.3261	31.0385' RT	GPS CONTROL POINT
5	2063704.8740	2405514.3780	914.9080	us20	467+88.2220	33.6036' LT	GPS CONTROL POINT

BENCH MARKS

POINT	NORTH	EAST	ELEVATION	CHAIN	STATION	OFFSET	DESCRIPTION
402	2062344.7580	2407355.9090	924.0070	us20	491+01.6117	31.7632' LT	POWER POLE W/T TRANSFORMER
404	2063293.1160	2405973.2670	917.7400	us20	474+04.7637	33.3208' LT	SIGN
405	2063784.0730	2405335.5800	917.4750	us20	466+02.8939	27.6447' RT	HEADWALL : FEET
416	2067950.2944	2409408.9485	884.2975	us20	460+25.1244	5790.3113' LT	FENCE
450	2066481.2665	2409383.4387	835.9748	us20	511+17.7687	4508.2774' LT	HEADWALL : FEET
451	2066438.9847	2408784.7812	841.8476	us20	473+98.3242	4252.4511' LT	HEADWALL : FEET

SURVEY WORK POINTS

POINT	NORTH	EAST	ELEVATION	CHAIN	STATION	OFFSET	DESCRIPTION
100	2063527.4310	2405701.2050	915.3730	us20	470+45.7785	26.1881' LT	TOPO SURVEY POINT
101	2063787.5140	2405326.8410	918.0400	us20	465+94.2666	31.1441' RT	TOPO SURVEY POINT

REFERENCE TIES

POINT	CHAIN	STATION	OFFSET	DESCRIPTION
500	us20	492+71.0853	41.8519' LT	SIGN
501	us20	491+69.3553	30.6514' RT	FENCE POST
502	us20	491+01.7606	30.6848' LT	POWER POLE W/T TRANSFORMER
503	us20	473+58.7051	35.3744' RT	FENCE POST
504	us20	473+93.7911	35.6038' RT	FENCE POST
505	us20	476+79.3932	33.3486' LT	POWER POLE W/T TRANSFORMER
506	us20	478+21.2386	52.1943' LT	SIGN
507	us20	478+72.8678	32.4115' LT	POWER POLE
508	us20	467+61.5295	32.3680' RT	FENCE POST
509	us20	467+26.7782	35.4646' LT	SIGN
510	us20	467+28.5956	54.5890' LT	SIGN

DATE-TIME
 DGN-SPEC
 REF01
 REF04
 REF05
 REF