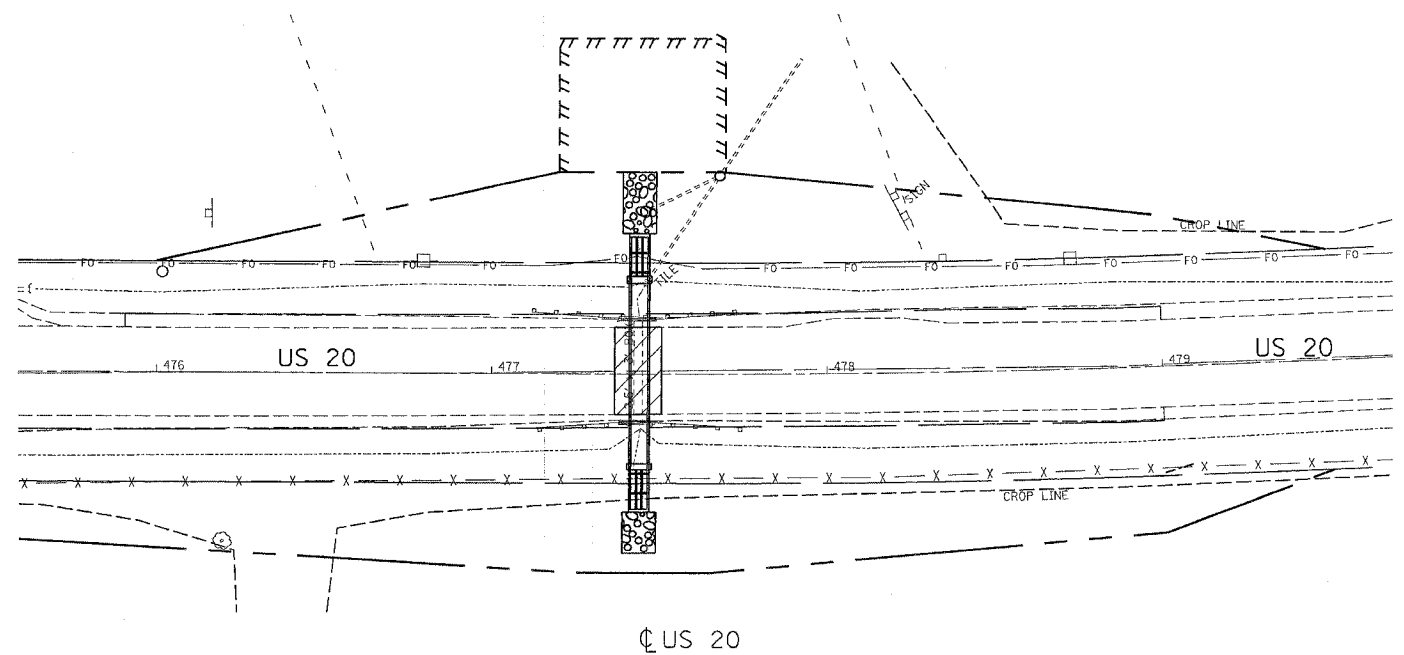
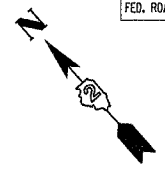


F.A.P. RTE.	SECTION	COUNTY	TOTAL SHEETS	SHEET NO.
301	21-T	STEPHENSON	49	19
STA.		TO STA.		
FED. ROAD DIST. NO.		ILLINOIS	FED. AID PROJECT	

CULVERT LOCATION NO. 2

5' X 2' PRECAST BOX CULVERT

STA. 477 + 43.65



Build tops of headwalls parallel to grade line.
 Class "SI" concrete shall be used throughout.
 Exposed edges shall be beveled 3/4 inch.

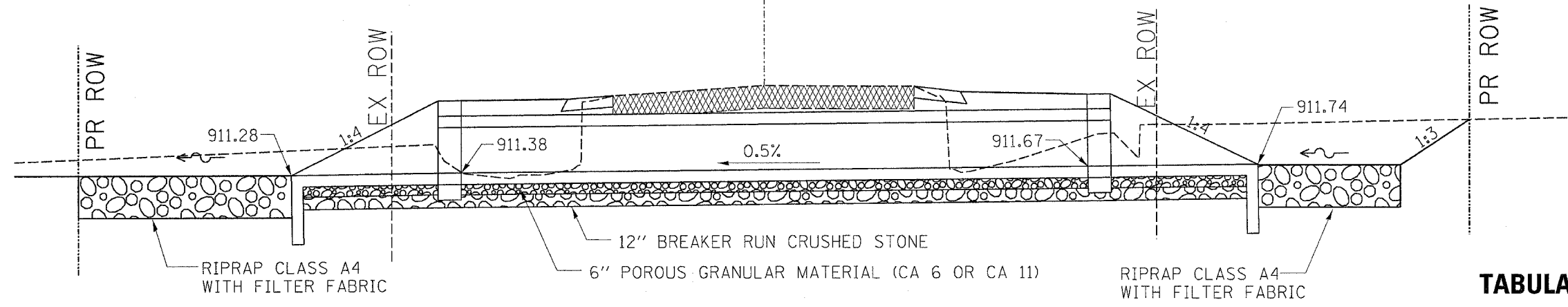
Reinforcement bars shall conform to the requirements of AASHTO M-31 or M-53, grade 60.

A layer of Porous Granular Bedding Material (min 6") shall be placed below the elevation of the bottom of the box culvert and extend at least 2 feet beyond each side of the box culvert, according to Section 540 of the Standard Specifications.

The contractor is responsible for maintaining flow in the manner acceptable to the engineer.

SEE PLAN AND PROFILE SHEET FOR MORE INFORMATION

SEE GRATED CULVERT EXTENSION PLANS FOR MORE INFORMATION



TABULATION OF CULVERT QUANTITIES

DESCRIPTION	UNIT	QTY.
Precast Concrete Box Culvert 5' X 2'	FOOT	60
Grated Culvert Extension No. 2	EACH	2
Breaker Run Crushed Stone (12")	TON	66.3
Removal of Existing Structures No. 2	EACH	1
Stone Rip Rap Class A4 (2 - 10' X 10')	SQ. YD.	22.2
Filter Fabric (2 - 10' X 10')	SQ. YD.	22.2

Drainage Area =	33.0	acres		
Existing Low Grade Elevation:	915.10	ft. @	477+43.65	
Proposed Low Grade Elevation:	915.10	ft. @	477+43.65	
Flood	Frequency Year	Discharge cfs	Headwater Elev. Existing	Headwater Elev. Proposed (ft)
Ten-Year	10	33	914.25	913.40
Design	50	46	914.88	913.85
Base	100	53	915.19	914.17
EX Overtopping	69	51	915.10	
PR Overtopping	490	72		915.10
Max Calc				

10-Year Velocity through Existing Culvert = 7.0 fps
 10-Year Velocity through Proposed Culvert = 6.2 fps

PLOT DATE
 FILE NAME
 PLOT SCALE
 USER NAME