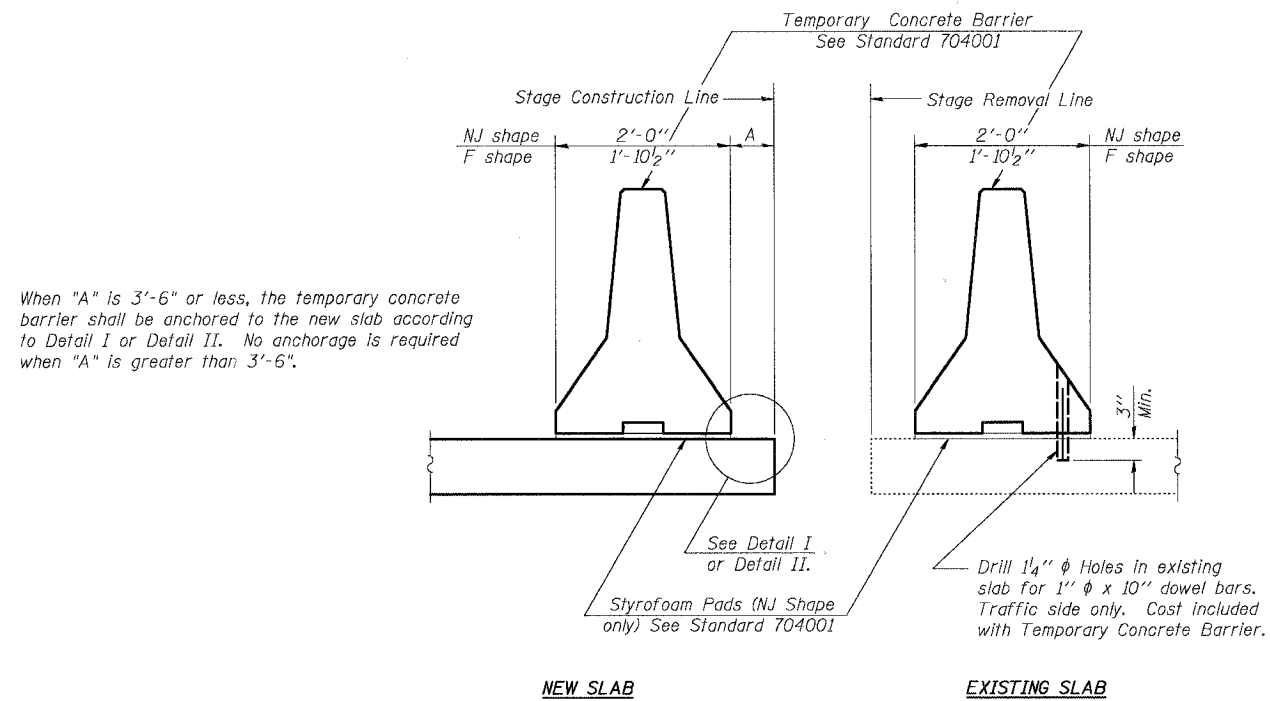


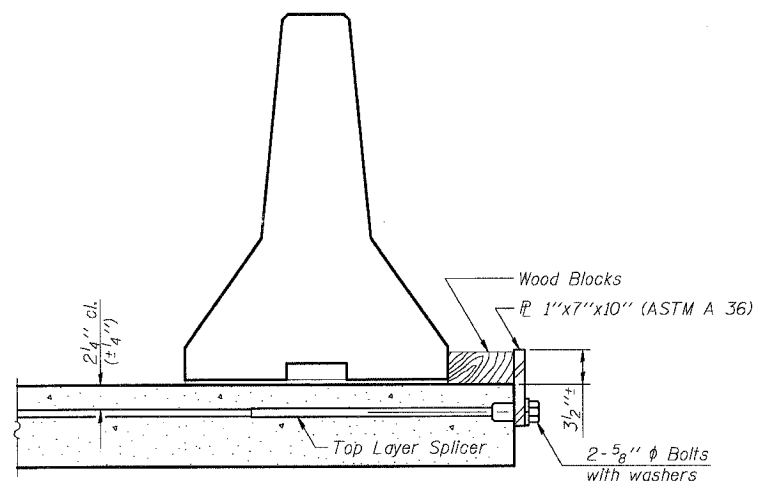
STATE OF ILLINOIS
DEPARTMENT OF TRANSPORTATION

ROUTE NO.	SECTION	COUNTY	SHEET	POST	SHEET NO. 4
FAP 301	28BR-1	JO DAVIESS	53	12	27 SHEETS
FED. ROAD DIST. NO. 7	ILLINOIS	FED. AID PROJECT			

Contract # 64A49

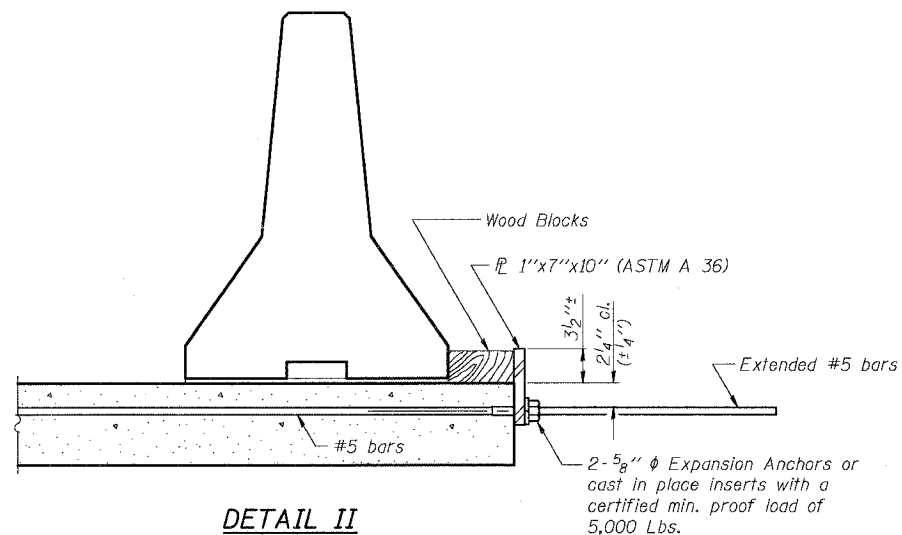


SECTIONS THRU SLAB



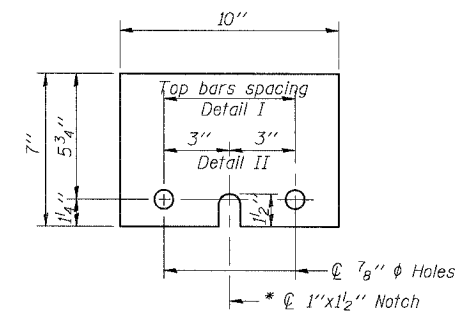
DETAIL I

The 1" x 7" x 10" Plate shall not be removed until Stage II Construction forms and reinforcement bars are in place.



DETAIL II

The 1" x 7" x 10" Plate shall not be removed until Stage II Construction forms and all reinforcement bars are in place and the concrete is ready to be placed.



1" x 7" x 10"

* Required only with Detail II

TEMPORARY CONCRETE BARRIER
FOR STAGE CONSTRUCTION

U.S. 20 OVER APPLE RIVER
F.A.P. ROUTE 301 - SEC. 28BR-1
JO DAVIESS COUNTY
STATION 1434+57.61
S.N. 043-0010

DESIGNED	DF
CHECKED	CB
DRAWN	MO
CHECKED	DF

R-27

10-22-04