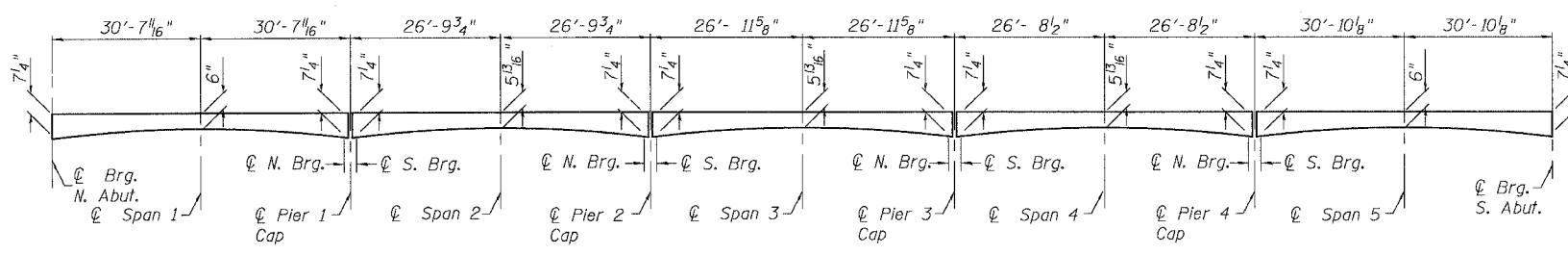
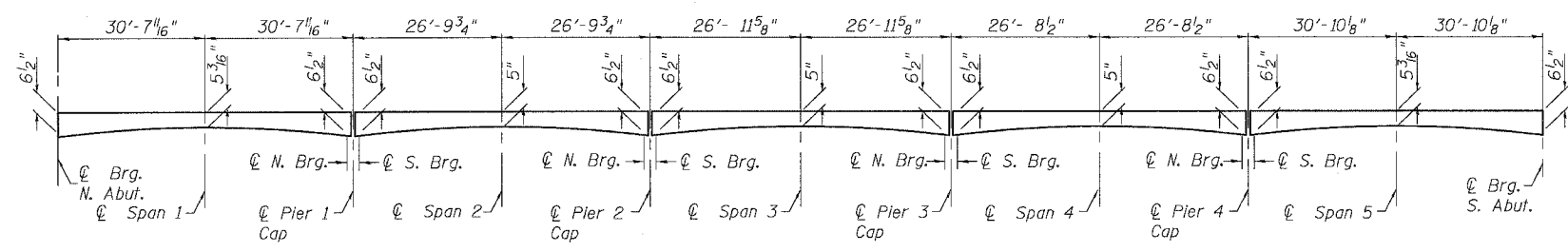
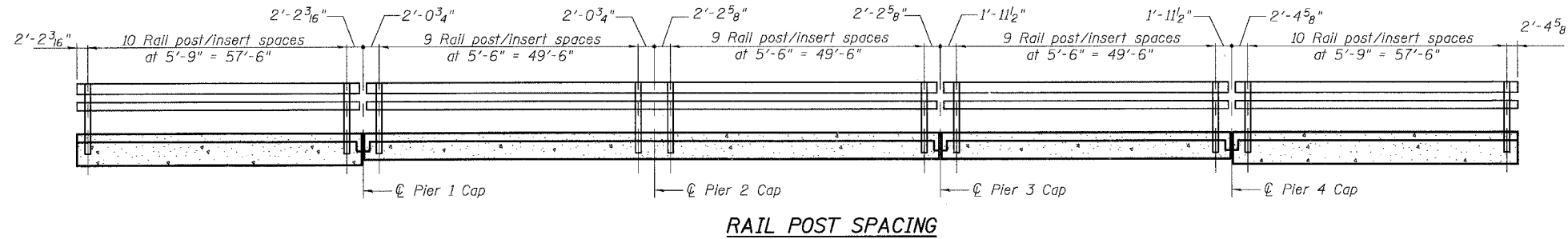


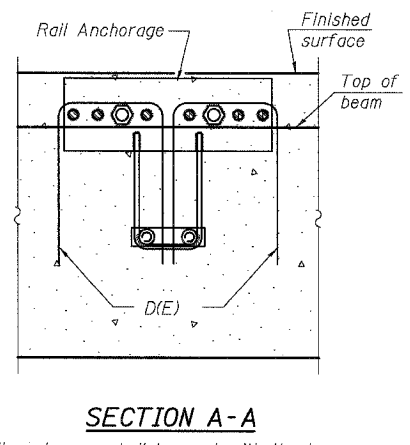
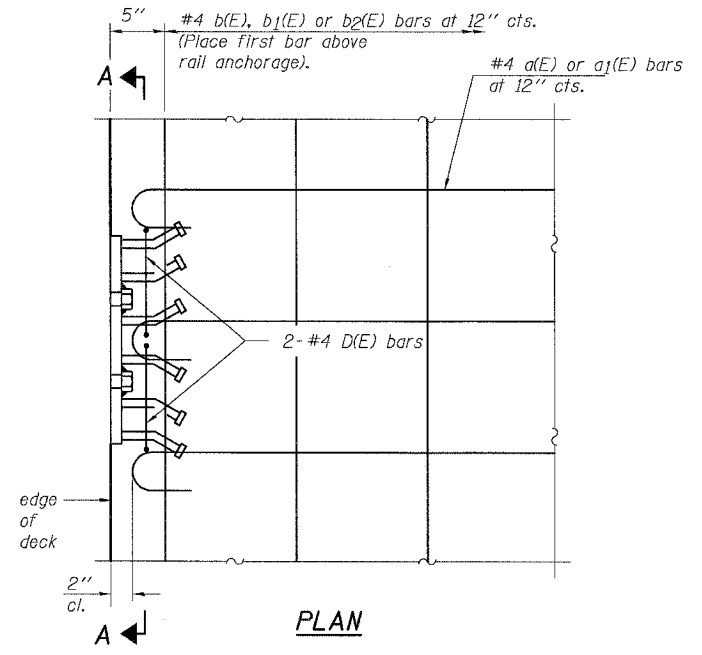
STATE OF ILLINOIS  
DEPARTMENT OF TRANSPORTATION

ROUTE NO.	SECTION	COUNTY	TOTAL SHEETS	SHEET NO.	SHEET NO. 8
FAP 301	28BR-1	JO DAVIESS	53	16	27 SHEETS
FED. ROAD DIST. NO. 7	ILLINOIS	FED. AID PROJECT			

Contract # 64A49



\* Based on expected camber



Notes:  
 The rail anchorage shall be cast with the beam and the wearing surface shall be cast in the field. Formwork necessary for the wearing surface may be secured utilizing the bottom rail anchorage inserts and/or additional inserts cast into the beam. Drilling into the beam will not be permitted.

DESIGNED	MO
CHECKED	CB
DRAWN	RG
CHECKED	DF

**SUPERSTRUCTURE DETAILS**  
 U.S. 20 OVER APPLE RIVER  
 F.A.P. ROUTE 301 - SEC. 28BR-1  
 JO DAVIESS COUNTY  
 STATION 1434+57.61  
 S.N. 043-0010