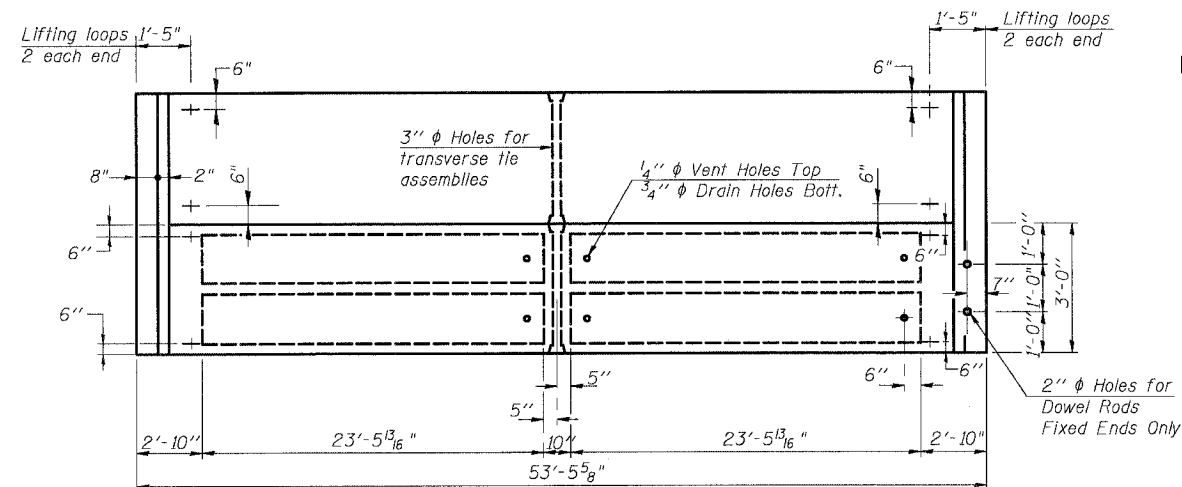
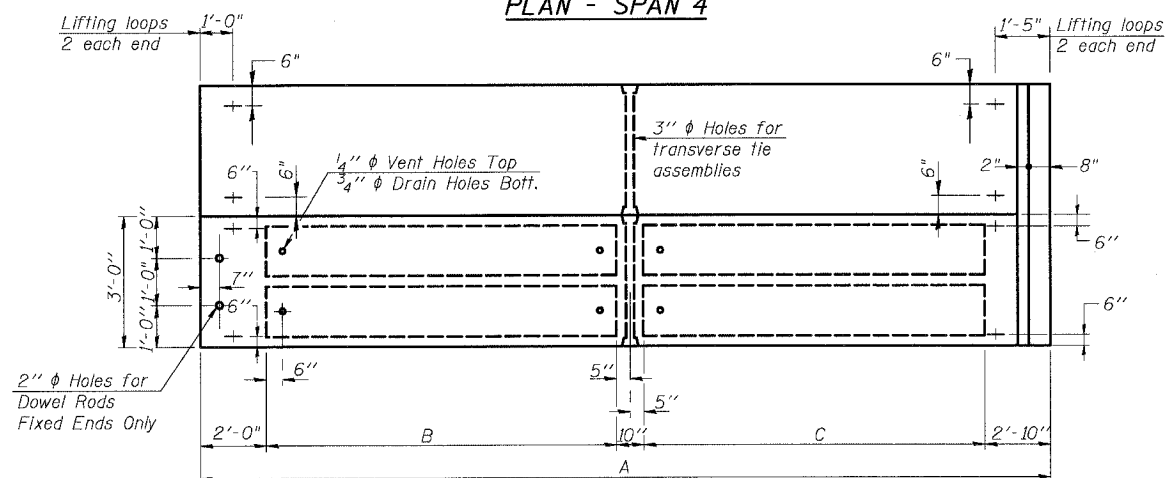


STATE OF ILLINOIS
DEPARTMENT OF TRANSPORTATION

ROUTE NO.	SECTION	COUNTY	DATE	SHEET	SHEET NO. 10 27 SHEETS
FAP 301	28BR-1	JO DAVIESS	53	18	
FED. ROAD DIST. NO. 7	ILLINOIS	FED. AID PROJECT			



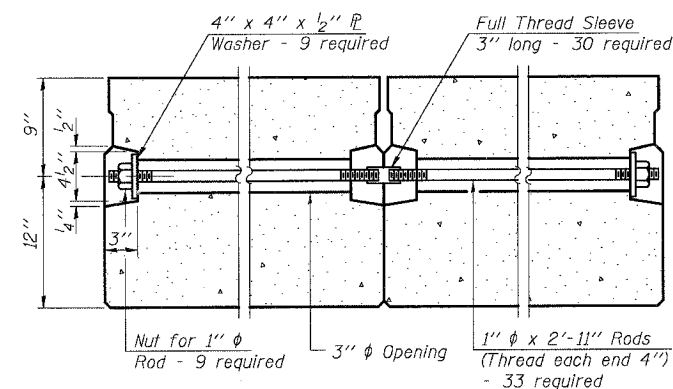
PLAN - SPAN 4



PLAN - SPANS 2 & 3
(Span 2 Rotate 180°)

BEAM DIMENSIONS

	Span 2	Span 3
A	53'-5 5/8"	53'-8 3/8"
B	24'-3 3/8"	24'-5 3/8"
C	23'-5 13/16"	23'-7 3/8"

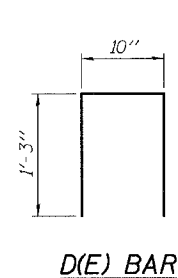


TYPICAL TRANSVERSE TIE ASSEMBLY

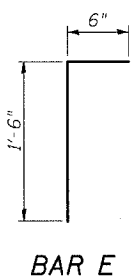
DESIGNED	MO
CHECKED	CB
DRAWN	RB
CHECKED	DF

PD-3-S

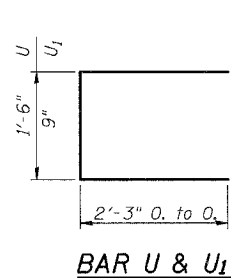
10-22-04



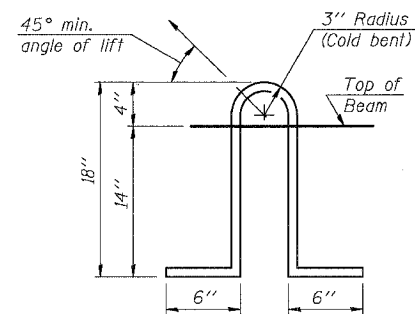
D(E) BAR



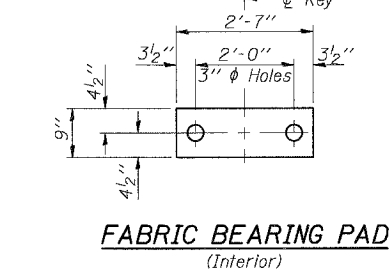
BAR E



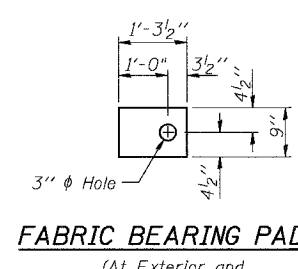
BAR U & U1



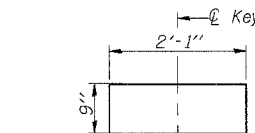
LIFTING LOOP DETAIL



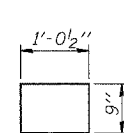
FABRIC BEARING PAD
(Interior)



FABRIC BEARING PAD
(At Exterior and Stage Construction beams)



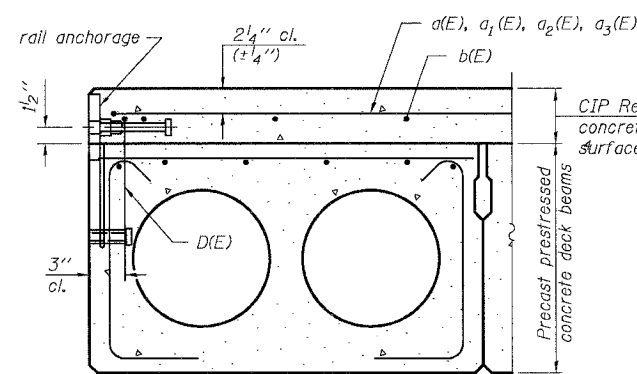
FABRIC BEARING PAD
(Interior)



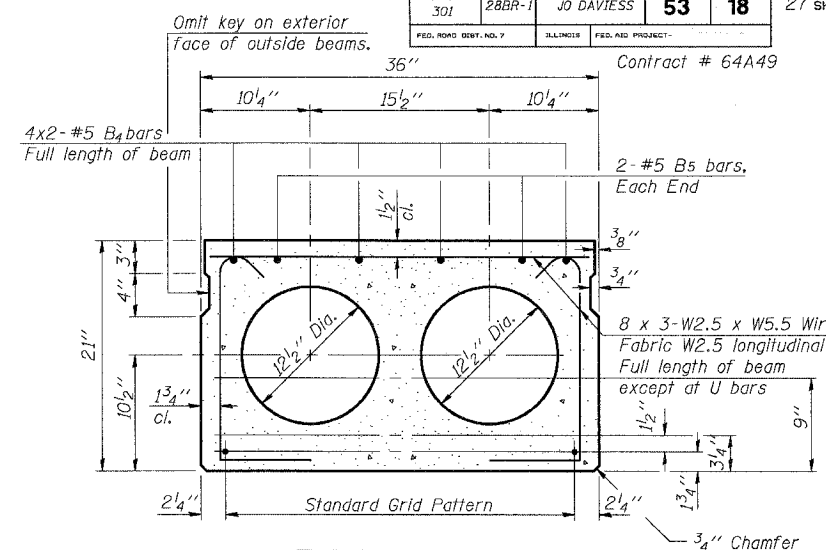
FABRIC BEARING PAD
(At Exterior and Stage Construction beams)

FIXED

EXPANSION

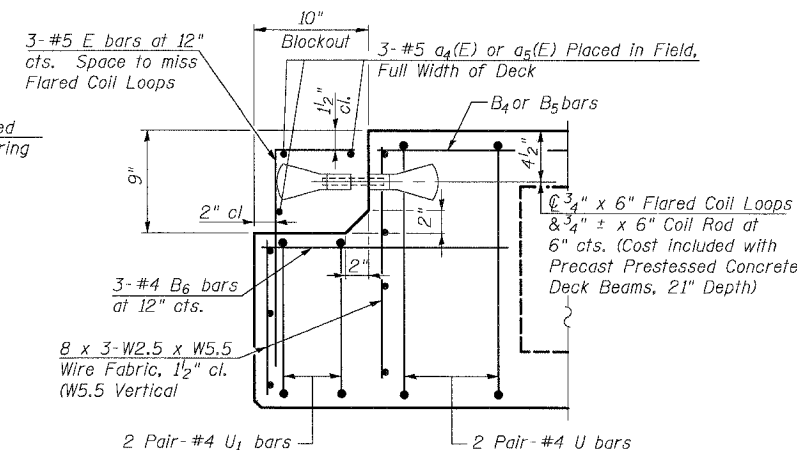


SECTION THRU EXTERIOR BEAMS
See Section Thru Interior Beams for strand pattern, dimensions and bar call outs.



TYPICAL SECTION

1/2" Strands, Each Strand Stressed to 30,900 Lbs.
6-Strands 1 3/4" up, 8-Strands 3/4" up, 2-Strands 9" up
Note: Place strands symmetrically about centerline of beam.



END OF BEAM - ELEVATION (EXPANSION END)

MIN LAPS
#4 - 1'-8"

NOTES

- Prestressing steel shall be uncoated high strength, low relaxation 7-wire strand, Grade 270. The nominal diameter shall be 1/2" and the nominal cross-sectional area shall be 0.153 sq. in. Lifting loops shall be (2)-1/2" - 270 ksi strands, as shown.
- The 1" rods in the transverse tie assembly shall be tightened to a snug fit and the threads set. Pockets that receive transverse tie bar on outside shall be filled with grout after transverse tie assembly is in place.
- The bearing seat surfaces shall be adjusted by shimming to assure firm and even bearing. Two 1/8" fabric adjusting shims of the dimensions of the Exterior Bearing Pad shall be provided for each bearing.
- Keyway surfaces shall be cleaned to remove form oil or other bond breaking material prior to shipment of the beams. Cleaning shall be done by sandblasting the keyway areas between top of the beam and the bottom edge of the key.
- Corrosion Inhibitor, as covered in the Special Provisions, shall be used in the concrete for precast prestressed concrete deck beams.
- Required Release Strength, f'ci, shall be 4000 p.s.i.
- Bridge rail inserts shall be cast in precast beams.
- See sheets 5 & 8 of 27 for location of rail anchors.

BILL OF MATERIAL

Item	Unit	Total
Precast Prestressed Conc. Deck Beams, 21" Depth	Sq. Ft.	5,301

SUPERSTRUCTURE DETAILS

SPANS 2, 3, & 4

U.S. 20 OVER APPLE RIVER
F.A.P. ROUTE 301 - SEC. 28BR-1
JO DAVIESS COUNTY
STATION 1434+57.61
S.N. 043-0010