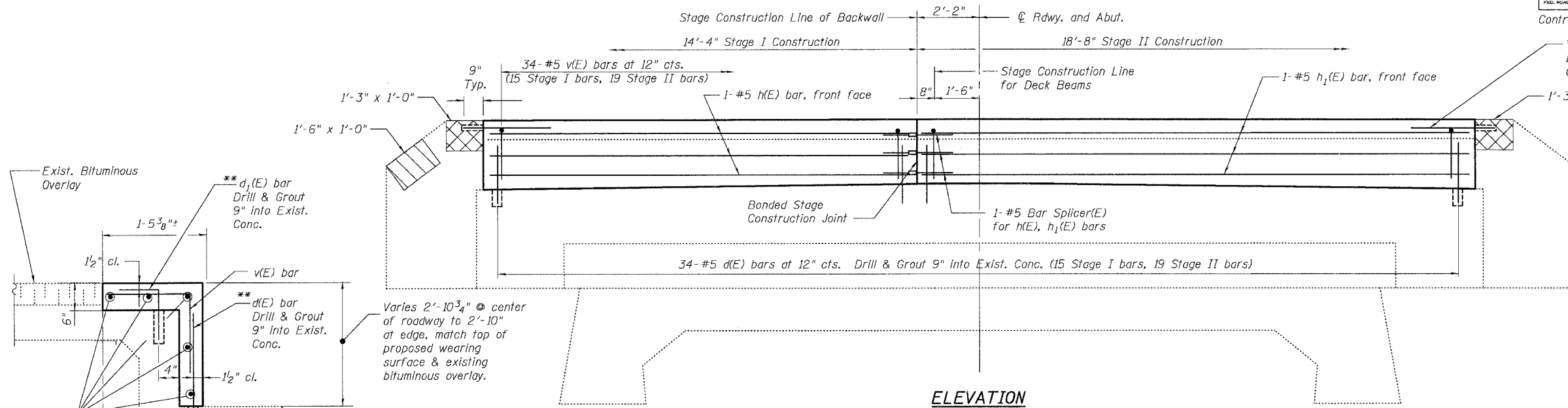


STATE OF ILLINOIS
DEPARTMENT OF TRANSPORTATION

ROUTE NO.	SECTION	COUNTY	SHEET NO.	SHEET	SHEET NO.
FAP 301	28BR-1	JO DAVIESS	53	23	27 SHEETS
FED. ROAD DIST. NO. 7		ILLINOIS	FED. AID PROJECT-		

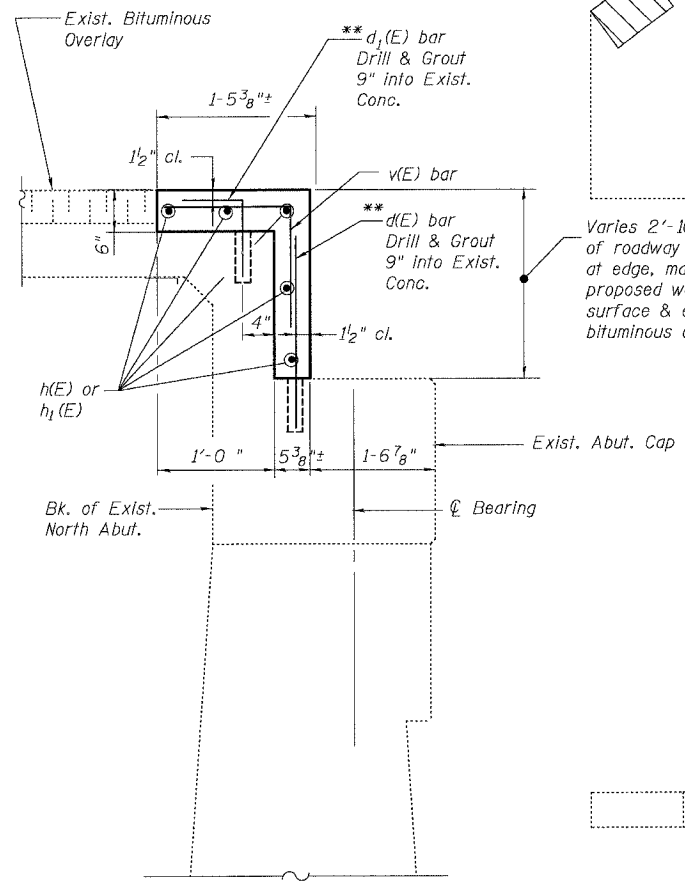
Contract # 64A49



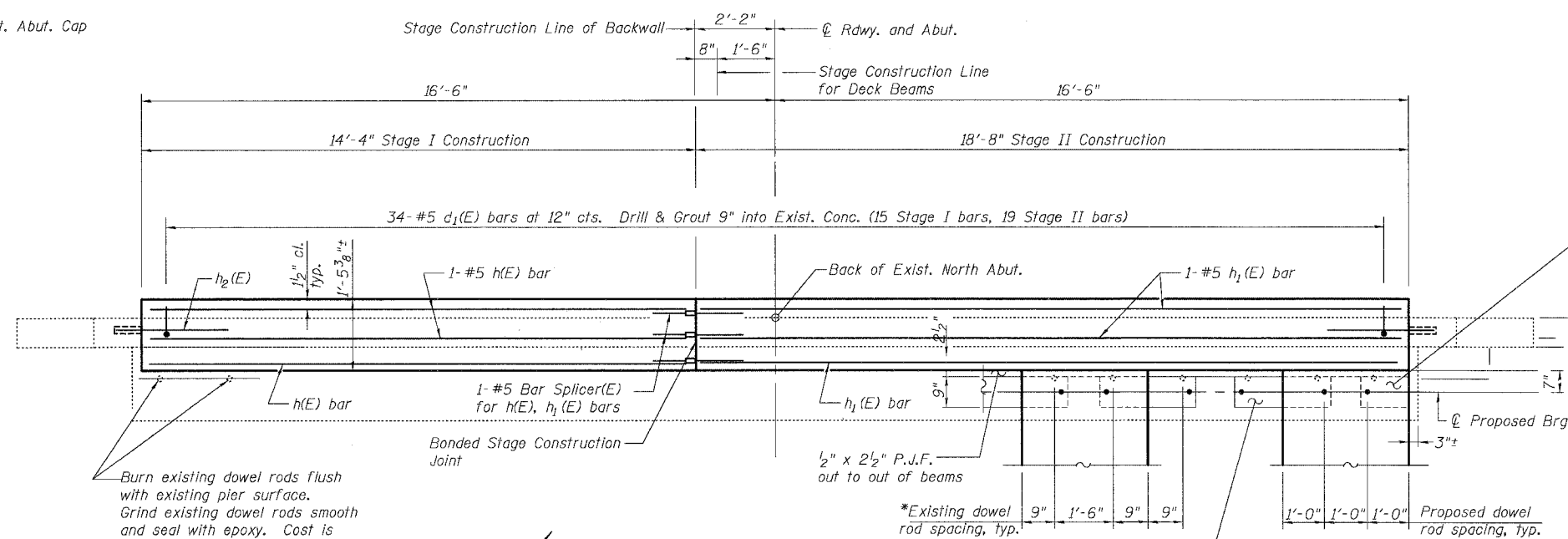
ELEVATION
(Looking North)

LEGEND

- Structural Repair of Concrete (Depth Equal to or Less Than 5")
- Structural Repair of Concrete (Depth Greater than 5")



**SECTION THRU NORTH ABUTMENT
CAP @ C.R. RDWY.**



PLAN

(Not all deck beams are shown)
(Concrete wearing surface not shown.)

- Notes:
- Concrete Structures shown are to be poured after Concrete Wearing Surface (including blackout) is in place and cured. Existing reinforcement extending into new concrete shall be cleaned, straightened and incorporated into new construction.
 - Any existing reinforcement damaged during partial removal of the backwall shall be replaced with equivalent size grouted bars at no additional cost to the State.
 - **Epoxy grout h2(E), d(E) and d1(E) bars in 9" min. drilled holes according to Section 584 of the Standard Specifications.
 - Reinforcement to clear exterior surface of concrete by 1/2" min.
 - *** Concrete Structures shown on this sheet shall be poured after P.P.C. Deck Beams and Concrete Wearing Surface are in place.

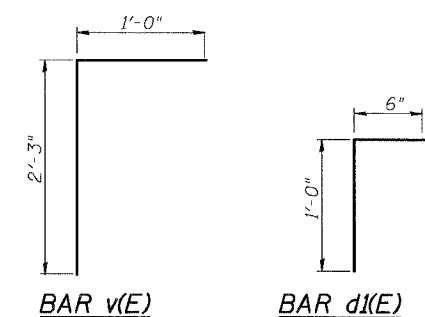
BILL OF MATERIAL

Bar	No.	Size	Length	Shape
h(E)	5	#5	14'-0"	—
h1(E)	5	#5	18'-4"	—
h2(E)	2	#5	3'-0"	—
d(E)	34	#5	3'-3"	—
d1(E)	34	#5	1'-6"	—
v(E)	34	#5	3'-3"	—
Reinforcement Bars, Epoxy Coated		Pound	460	
*** Concrete Structures		Cu. Yd.	2.2	
Structural Repair of Concrete (Depth <5")		Sq. Ft.	1.5	
Structural Repair of Concrete (Depth >5")		Sq. Ft.	2.5	
Bar Splicers		Each	5	

Reinforcement bars designated (E) shall be epoxy coated.

NORTH ABUTMENT REPAIRS

U.S. 20 OVER APPLE RIVER
F.A.P. ROUTE 301 - SEC. 28BR-1
JO DAVIESS COUNTY
STATION 1434+57.61
S.N. 043-0010



DESIGNED	MO
CHECKED	CB
DRAWN	RG
CHECKED	DF