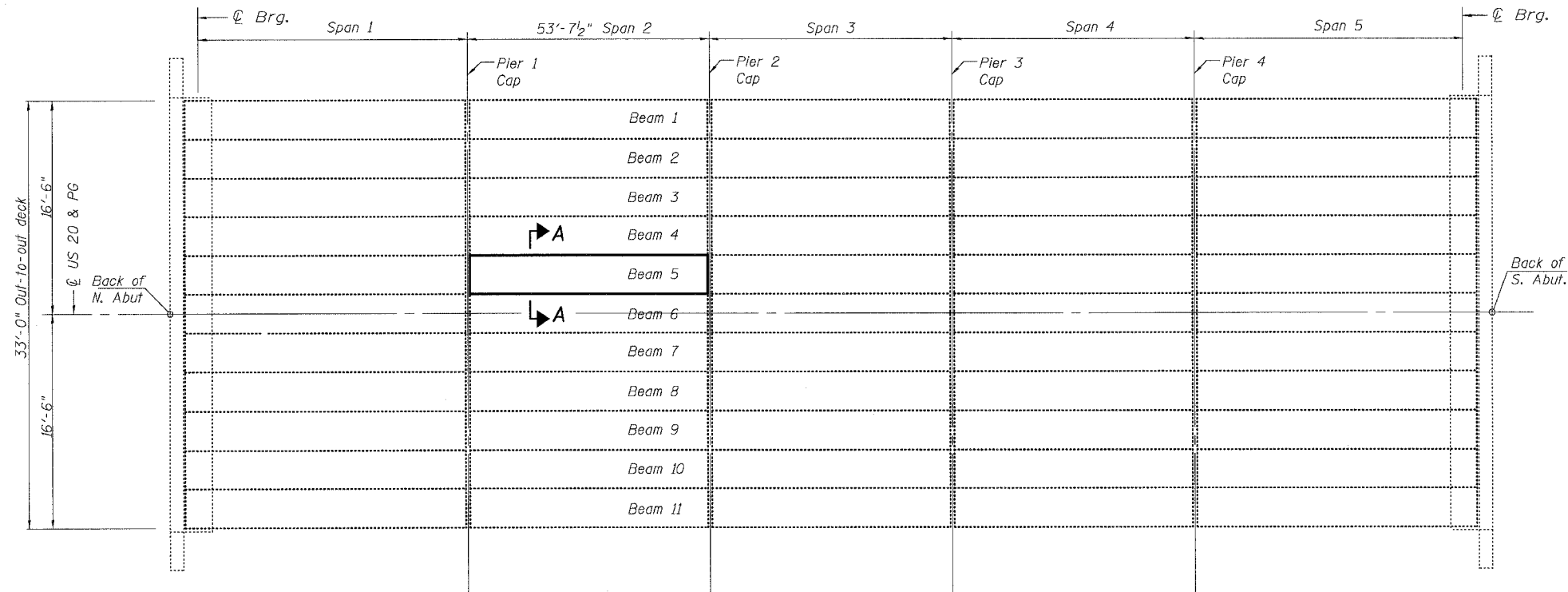


STATE OF ILLINOIS
DEPARTMENT OF TRANSPORTATION

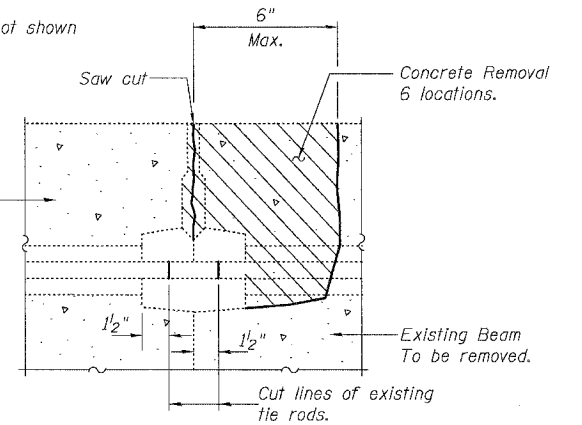
| | | | | |
|-----------------------|---------|------------|------------------|-----------|
| ROUTE NO. | SECTION | COUNTY | TOTAL SHEETS | SHEET NO. |
| FAP 301 | 28BR-1 | JO DAVIESS | 53 | 31 |
| FED. ROAD DIST. NO. 7 | | PLANING | FED. AID PROJECT | |

Contract #64A49

SHEET NO. 23
27 SHEETS



Note: Overlay not shown for clarity

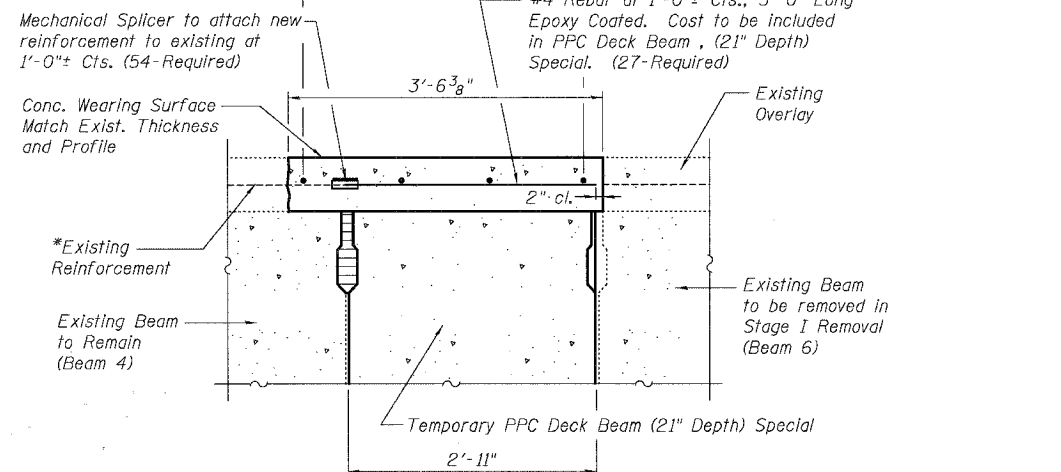
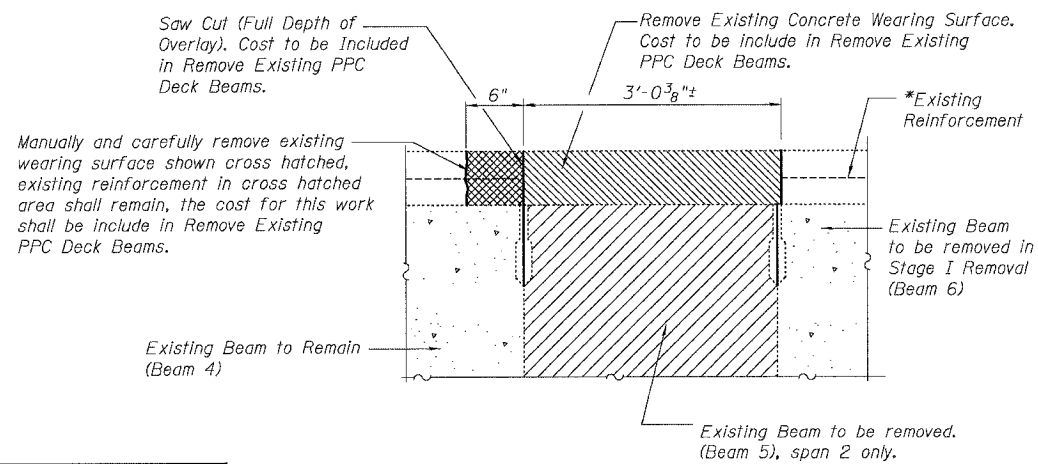


**BEAM REMOVAL DETAIL
AT TRANSVERSE TIES**

KEY

Existing PPC Deck Beam to be replaced with PPC deck Beam (21" Depth) Special

PLAN



BILL OF MATERIAL

| Item | Unit | Quantity |
|-----------------------------------|---------|----------|
| Remove Existing PPC Deck Beam | Sq. Ft. | 161.3 |
| PPC Deck Beam (21" Depth) Special | Sq. Ft. | 156.2 |
| Concrete Wearing Surface, 5" | Sq. Yd. | 21.0 |
| Mechanical Splice | Each | 54 |

Note: See Sheet 24 of 27 for additional details.

PRE-STAGE I BEAM REPLACEMENT

U.S. 20 OVER APPLE RIVER
F.A.P. ROUTE 301 - SEC. 28BR-1
JO DAVIESS COUNTY
STATION 1434+57.61
S.N. 043-0010

**SECTION A-A BEAM AND OVERLAY
REMOVAL AND REPLACEMENT DETAIL**

| | |
|----------|----|
| DESIGNED | DF |
| CHECKED | CB |
| DRAWN | DF |
| CHECKED | CB |