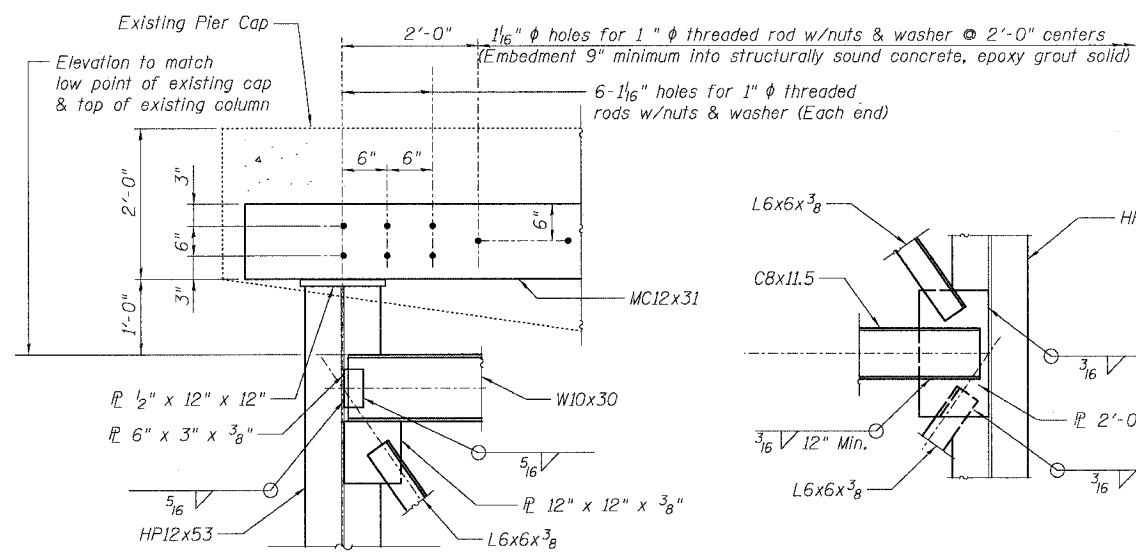


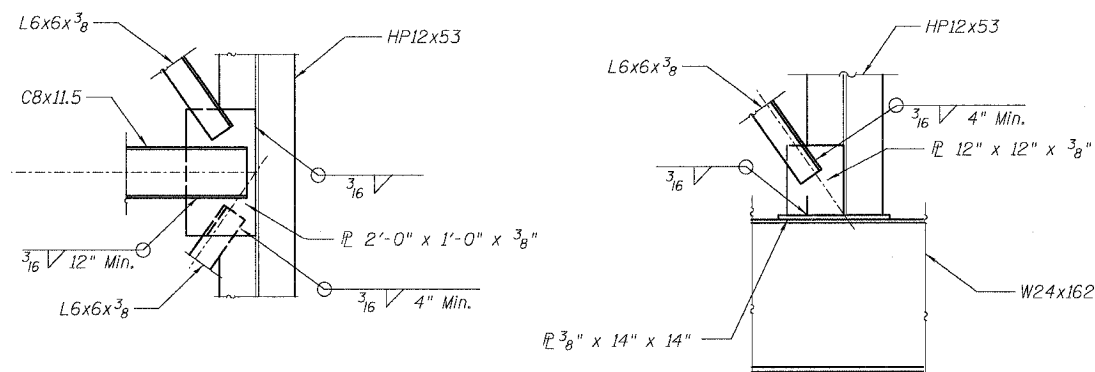
STATE OF ILLINOIS
DEPARTMENT OF TRANSPORTATION

ROUTE NO.	SECTION	COUNTY	SHEET NO.	SHEET	SHEET NO.
FAP 301	28BR-1	JO DAVIESS	53	35	27 SHEETS
FED. ROAD DIST. NO. 7	BUILDING	FED. AID PROJECT			

Contract #64A49

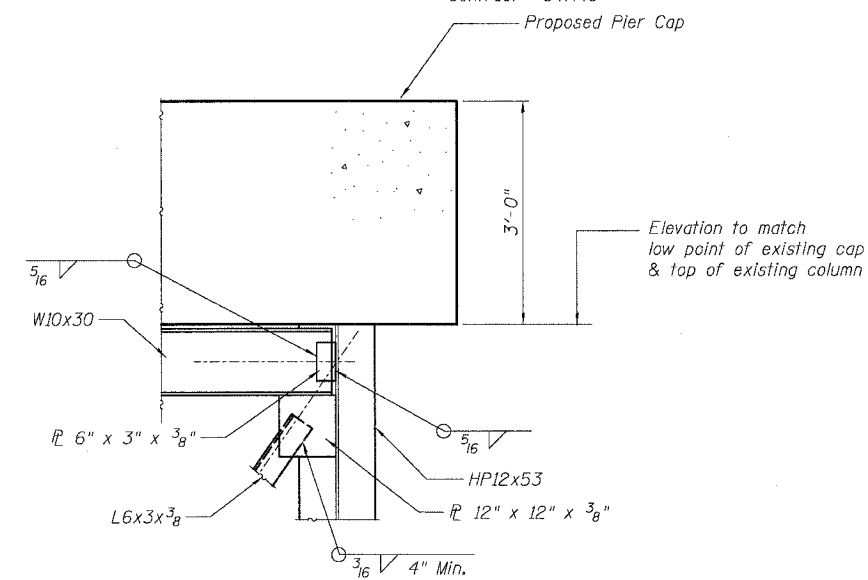


DETAIL A

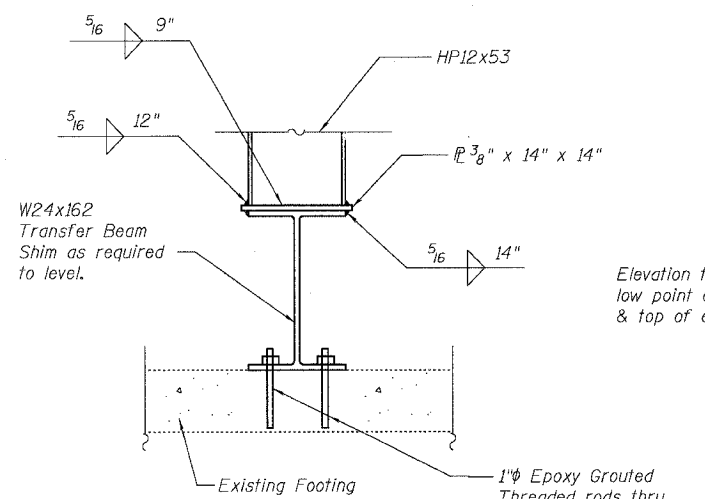


DETAIL B

DETAIL C

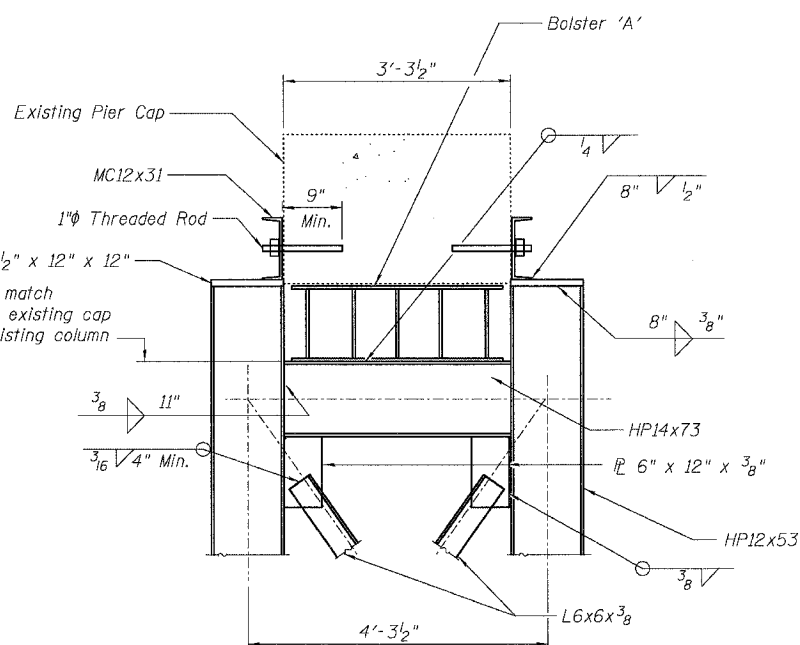


DETAIL D

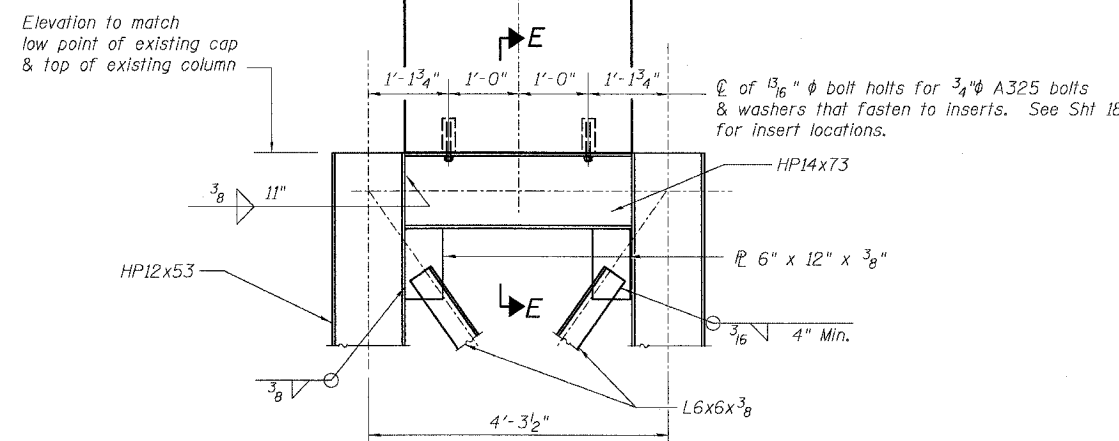


DETAIL E

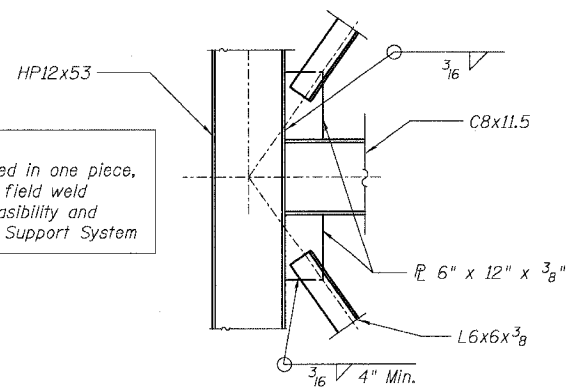
1" Epoxy Grouted Threaded rods thru 1 1/4" holes. Embed 9" into concrete. See cofferdam plan Section C-C for locations.



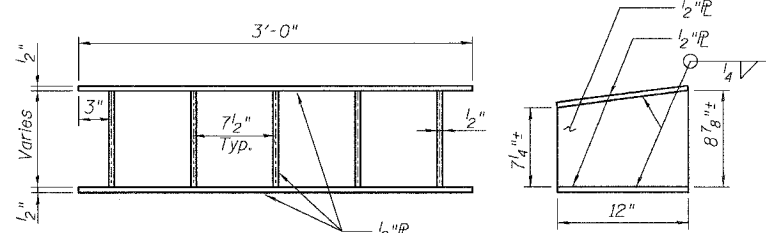
DETAIL F



DETAIL G

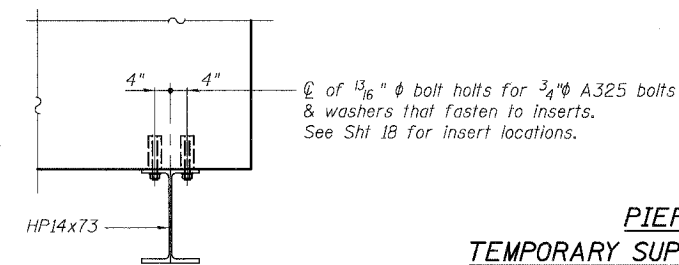


DETAIL H



BOLSTER 'A'

SIDE VIEW



SECTION E-E

PIER 2
TEMPORARY SUPPORT SYSTEM

U.S. 20 OVER APPLE RIVER
F.A.P. ROUTE 301 - SEC. 28BR-1
JO DAVIESS COUNTY
STATION 1434+57.61
S.N. 043-0010

Note:
Since System cannot be installed in one piece, the Contractor has the option to field weld certain components to ensure feasibility and constructibility of the Temporary Support System

DESIGNED	DF
CHECKED	CB
DRAWN	MO
CHECKED	DF