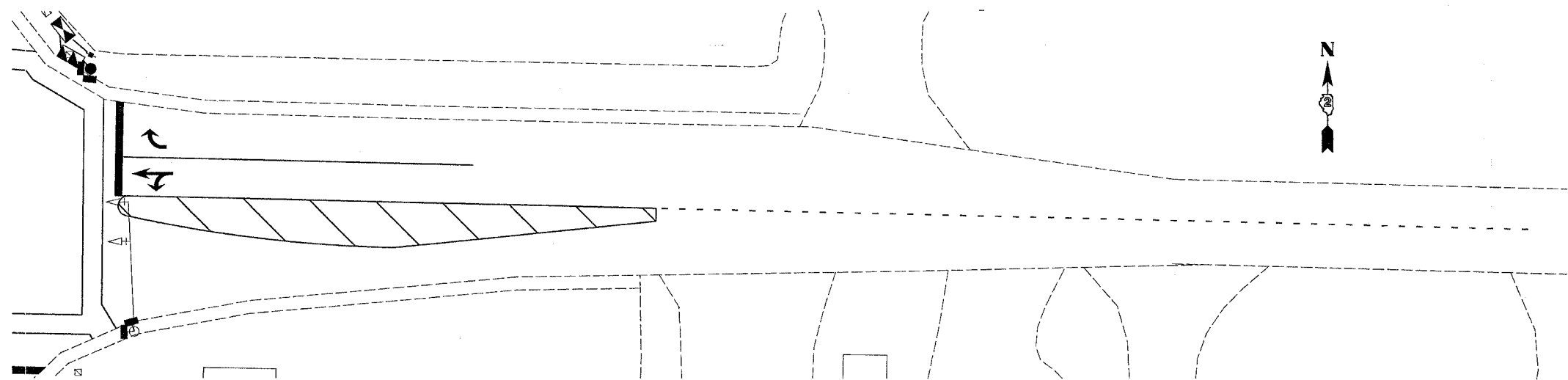
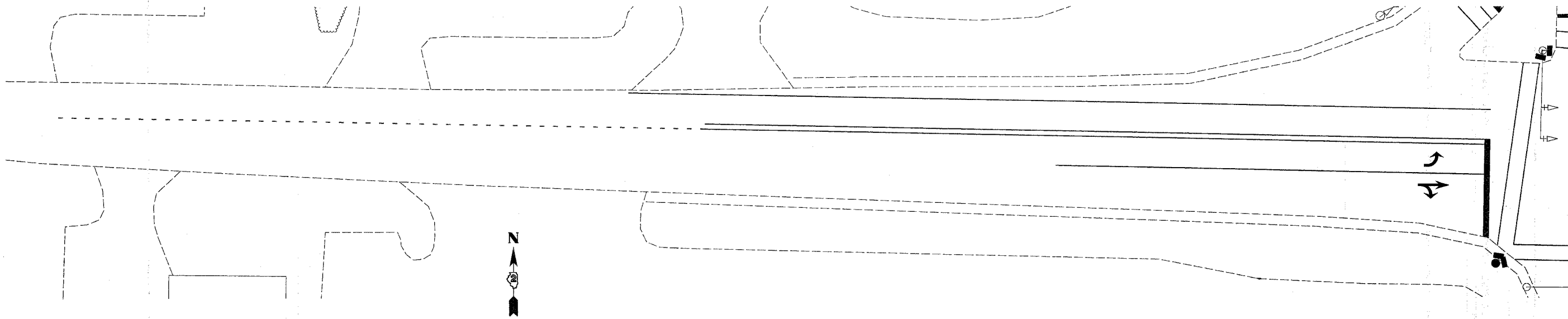


F.A.P. RTE.	SECTION	COUNTY	TOTAL SHEETS	SHEET NO.
599	62MFT-TS	ROCK ISLAND	10	6
STA.		TO STA.		
FED. ROAD DIST. NO.	ILLINOIS	FED. AID PROJECT		

PAVEMENT MARKING NOTES  
 PAVEMENT MARKING SHALL BE APPLIED ACCORDING TO DISTRICT STANDARD 41.1 AS SHOWN IN THESE PLANS AND/OR AS DIRECTED BY KURT GLAZIER OF THE ILLINOIS DEPARTMENT OF TRANSPORTATION. MR GLAZIER SHALL BE CONTACTED TWO (2) WEEKS PROIR TO SCHEDULING OF WORK AT 815-284-5478.



PLOT DATE = Thu Mar 30 07:45:45 2006  
 FILE NAME = P:\P\projects\64B33\RDALUS\PLAN SHEETS 64B33.dgn  
 PLOT SCALE = 28.0000 / 1 IN.  
 USER NAME = RLK1

REVISIONS	
NAME	DATE

ILLINOIS DEPARTMENT OF TRANSPORTATION  
**PAVEMENT MARKINGS**

SCALE: VERT. \_\_\_\_\_  
 HORIZ. \_\_\_\_\_  
 DATE \_\_\_\_\_

DRAWN BY \_\_\_\_\_  
 CHECKED BY \_\_\_\_\_