

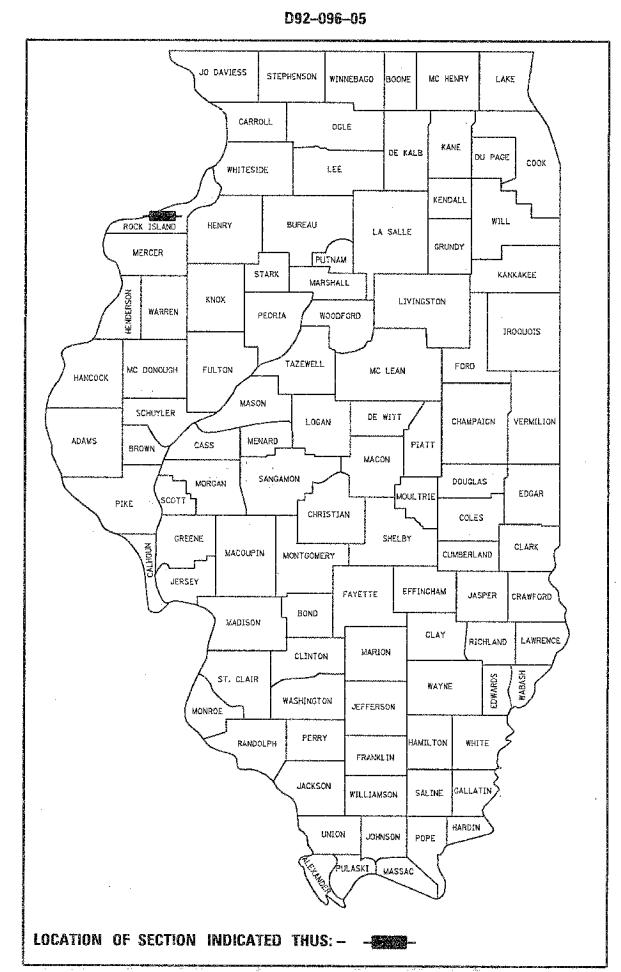
F.A.P. RTE.	SECTION	COUNTY	TOTAL SHEETS	SHEET NO.
599	62MFT-TS	ROCK ISLAND	10	1

- FOR INDEX OF SHEETS**  
**1 COVER SHEET**  
**INDEX OF SHEETS**  
**STATE STANDARDS**  
**2 SUMMARY OF QUANTITIES**  
**3 UTILITIES**  
**4 SIGN DETAILS**  
**PLANS LEGEND**  
**5-6 PAVEMENT MARKING**  
**7 SERVICE INSTALLATION**  
**8-9 DISTRICT STANDARD 41.1**

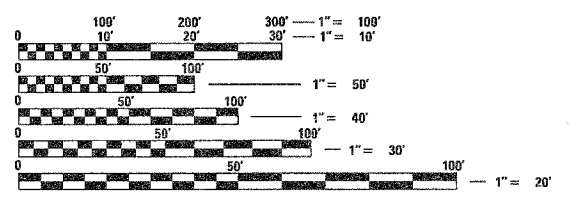
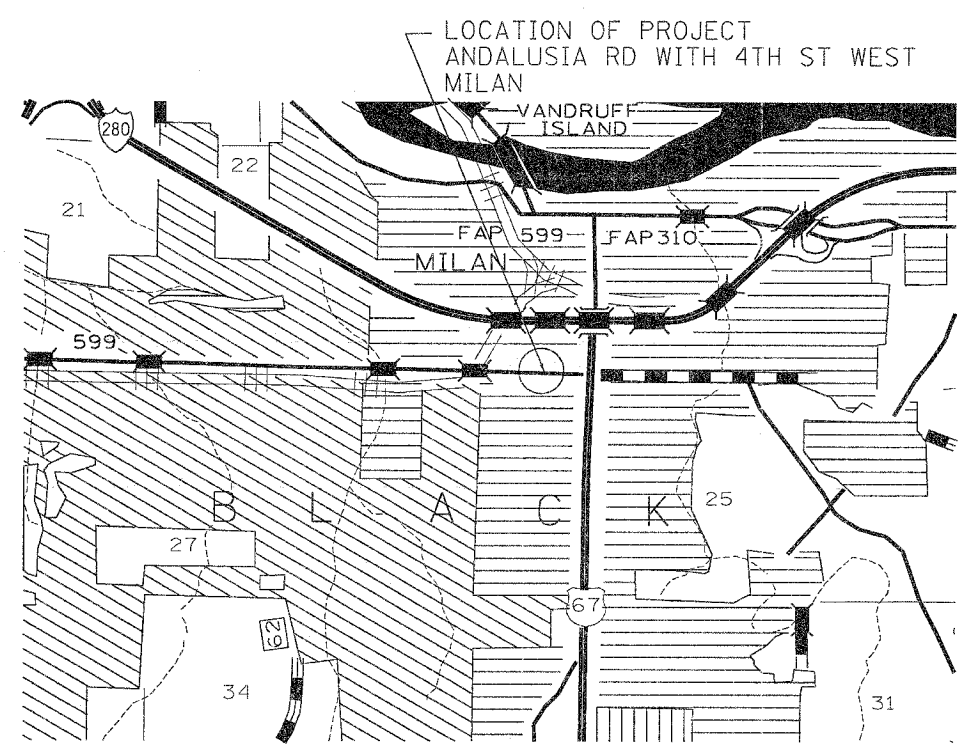
**STATE OF ILLINOIS**  
**DEPARTMENT OF TRANSPORTATION**  
**DIVISION OF HIGHWAYS**  
**PROPOSED**  
**HIGHWAY PLANS**

**FAP ROUTE 599 (ANDALUSIA ROAD)**  
**SECTION 62MFT-TS**  
**PROJECT HS-0599(020)**  
**ROCK ISLAND COUNTY**

- 701006-02 OFF-ROAD OPERATIONS 2L, 2W, 4.5 m (15') TO 600 mm (24") FROM PAVEMENT EDGE
- 701201-02 LANE CLOSURE, 2L, 2W, DAY ONLY, FOR SPEEDS > 45 MPH
- 701301-02 LANE CLOSURE, 2L, 2W, SHORT TIME OPERATIONS
- 701311-02 LANE CLOSURE, 2L, 2W, MOVING OPERATIONS - DAY ONLY
- 701701-04 URBAN LANE CLOSURE MULTILANE INTERSECTION
- 702001-06 TRAFFIC CONTROL DEVICE
- 720016-01 MAST ARM MOUNTED STREET NAME SIGNS
- 805001 ELECTRICAL SERVICE INSTALLATION DETAILS
- 814006 DOUBLE HANDHOLES
- 878001-04 CONCRETE FOUNDATION DETAILS
- 880006 TRAFFIC SIGNAL MOUNTING DETAILS



C92-111-05



FULL SIZE PLANS HAVE BEEN PREPARED USING STANDARD ENGINEERING SCALES. REDUCED SIZED PLANS WILL NOT CONFORM TO STANDARD SCALES. IN MAKING MEASUREMENTS ON REDUCED PLANS, THE ABOVE SCALES MAY BE USED.

J.U.L.I.E.  
 JOINT UTILITY LOCATION INFORMATION FOR EXCAVATION  
 1-800-892-0123

**CONTRACT NO. 64B33**

**STATE OF ILLINOIS**  
**DEPARTMENT OF TRANSPORTATION**  
**DIVISION OF HIGHWAYS**

SUBMITTED May 31 2006  
Sharon L. Mouton  
 DEPUTY DIRECTOR OF HIGHWAYS, REGION ENGINEER

Mike Hine  
 ENGINEER OF DESIGN AND ENVIRONMENT

Milton R. See, P.E.  
 DIRECTOR OF HIGHWAYS, CHIEF ENGINEER

**PRINTED BY THE AUTHORITY**  
**OF THE STATE OF ILLINOIS**

F.A.P. RTE.	SECTION	COUNTY	TOTAL SHEETS	SHEET NO.
599	62MFT-TS	ROCK ISLAND	10	2
STA.		TO STA.		
FED. ROAD DIST. NO.		ILLINOIS	FED. AID PROJECT	

Y031-1F

90% FED.  
10% ST.  
URBAN

PAY CODE	ITEM	UNIT	TOTAL
X0325335	CONDUIT INSTALLED, 1 1/2", NON-METALLIC	FOOT	10
67100100	MOBILIZATION	L SUM	1
70100450	TRAFFIC CONTROL AND PROTECTION, STANDARD 701201	L SUM	1
70102635	TRAFFIC CONTROL AND PROTECTION, STANDARD 701701	L SUM	1
* 72000100	SIGN PANEL TYPE I	SQ FT	16.5
* 72000200	SIGN PANEL TYPE II	SQ FT	20
* 78000100	THERMOPLASTIC PAVEMENT MARKING - LETTERS AND SYMBOLS	SQ FT	46
* 78000200	THERMOPLASTIC PAVEMENT MARKING - LINE 4"	FOOT	2637
* 78000400	THERMOPLASTIC PAVEMENT MARKING - LINE 6"	FOOT	730
* 78000500	THERMOPLASTIC PAVEMENT MARKING - LINE 8"	FOOT	1385
* 78000600	THERMOPLASTIC PAVEMENT MARKING - LINE 12"	FOOT	114
* 78000650	THERMOPLASTIC PAVEMENT MARKING - LINE 24"	FOOT	172
78300100	PAVEMENT MARKING REMOVAL	SQ FT	200
80501000	SERVICE INSTALLATION, (SPECIAL)	EACH	1
81400600	CONCRETE DOUBLE HANDHOLE	EACH	1
85000300	MAINTENANCE OF EXISTING TRAFFIC SIGNAL INSTALLATION	L SUM	1
85700200	FULL-ACTUATED CONTROLLER AND TYPE IV CABINET	EACH	1
87301215	ELECTRIC CABLE IN CONDUIT, SIGNAL, NO. 14 2C	FOOT	213
87301225	ELECTRIC CABLE IN CONDUIT, SIGNAL, NO. 14 3C	FOOT	243
87301815	ELECTRIC CABLE IN CONDUIT, SERVICE, NO 6 3C	FOOT	23
87502440	TRAFFIC SIGNAL POST GALVANIZED STEEL 10 FT	EACH	2
87502470	TRAFFIC SIGNAL POST GALVANIZED STEEL 13 FT	EACH	1
87800100	CONCRETE FOUNDATION, TYPE A	FOOT	6
87800200	CONCRETE FOUNDATION, TYPE D	FOOT	3
87900200	DRILL EXISTING HANDHOLE	EACH	3
X0324887	CONDUIT INSTALLED, 2 1/2", NON-METALLIC	FOOT	43
X0324888	CONDUIT INSTALLED, 4", NON-METALLIC	FOOT	112
X4402810	ISLAND SURFACE REMOVAL AND REPLACEMENT	SQ YD	3
X8810495	PEDESTRIAN SIGNAL HEAD, POLYCARBONATE, LED, 2 FACE BRACKET MOUNTED	EACH	4
XX004921	PEDESTRAIN PUSHBUTTON, SPECIAL	EACH	8
XX005703	REMOVE EXISTING TRAFFIC SIGNAL EQUIPMENT, SPECIAL	L SUM	1

PLOT DATE \* Thu Mar 30 07:45:44 2006  
 PLOT SCALE \* 20.0000 \* IN.  
 USER NAME \* N1111

REVISIONS		ILLINOIS DEPARTMENT OF TRANSPORTATION
NAME	DATE	
		SCALE: VERT. HORIZ. DATE
DRAWN BY		CHECKED BY

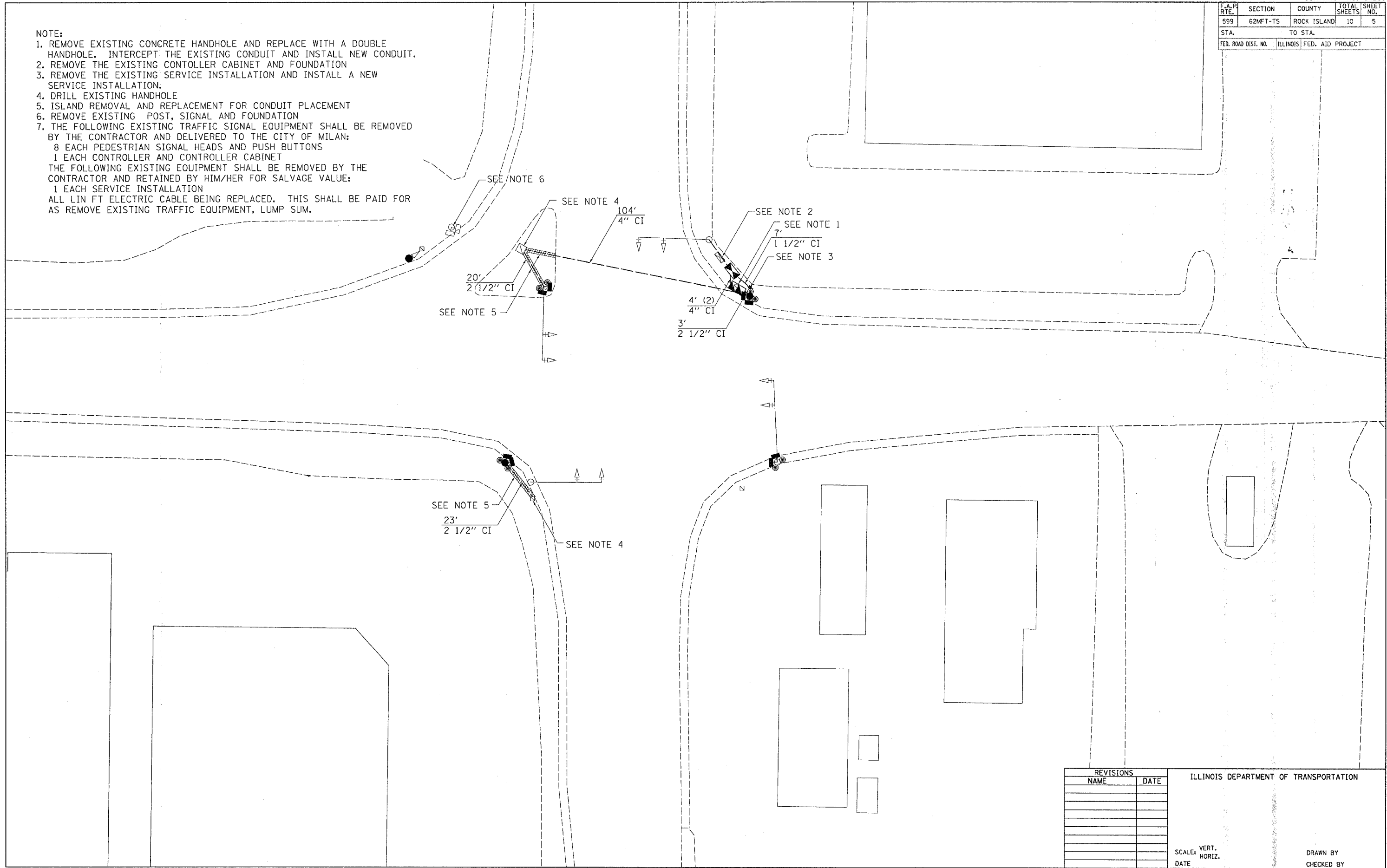




F.A.P. RTE.	SECTION	COUNTY	TOTAL SHEETS	SHEET NO.
599	62MFT-TS	ROCK ISLAND	10	5
STA.		TO STA.		
FED. ROAD DIST. NO.	ILLINOIS	FED. AID PROJECT		

**NOTE:**

1. REMOVE EXISTING CONCRETE HANDHOLE AND REPLACE WITH A DOUBLE HANDHOLE. INTERCEPT THE EXISTING CONDUIT AND INSTALL NEW CONDUIT.
2. REMOVE THE EXISTING CONTROLLER CABINET AND FOUNDATION
3. REMOVE THE EXISTING SERVICE INSTALLATION AND INSTALL A NEW SERVICE INSTALLATION.
4. DRILL EXISTING HANDHOLE
5. ISLAND REMOVAL AND REPLACEMENT FOR CONDUIT PLACEMENT
6. REMOVE EXISTING POST, SIGNAL AND FOUNDATION
7. THE FOLLOWING EXISTING TRAFFIC SIGNAL EQUIPMENT SHALL BE REMOVED BY THE CONTRACTOR AND DELIVERED TO THE CITY OF MILAN:
  - 8 EACH PEDESTRIAN SIGNAL HEADS AND PUSH BUTTONS
  - 1 EACH CONTROLLER AND CONTROLLER CABINET
- THE FOLLOWING EXISTING EQUIPMENT SHALL BE REMOVED BY THE CONTRACTOR AND RETAINED BY HIM/HER FOR SALVAGE VALUE:
  - 1 EACH SERVICE INSTALLATION
- ALL LIN FT ELECTRIC CABLE BEING REPLACED. THIS SHALL BE PAID FOR AS REMOVE EXISTING TRAFFIC EQUIPMENT, LUMP SUM.

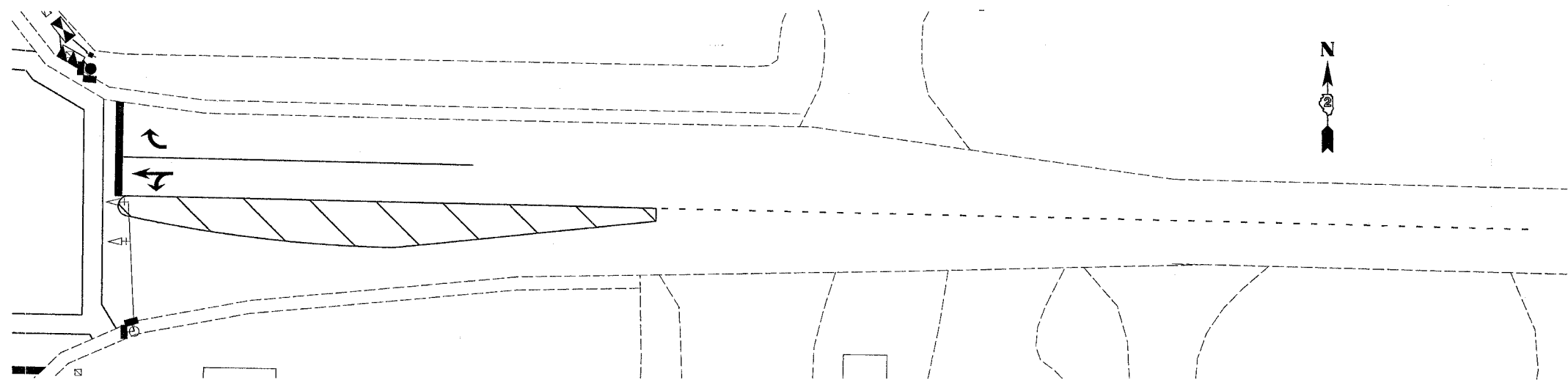
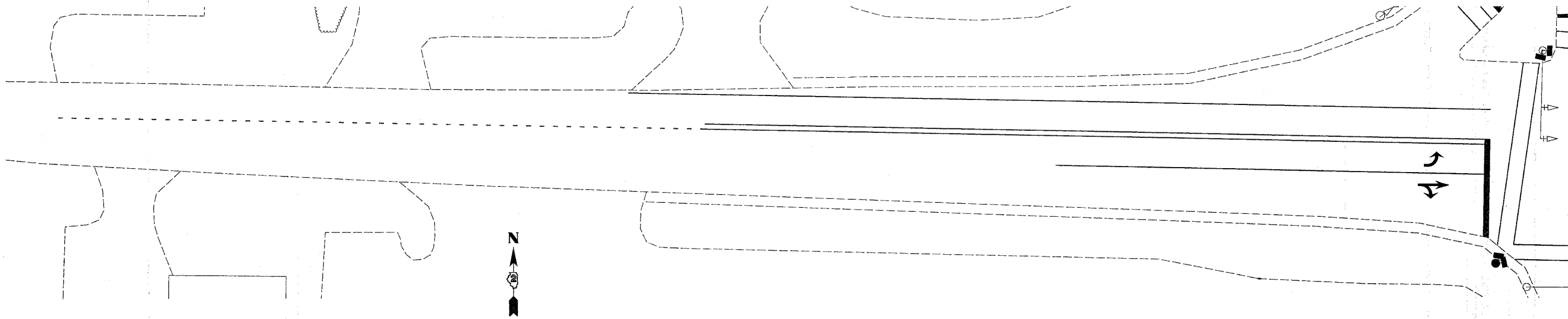


REVISIONS		ILLINOIS DEPARTMENT OF TRANSPORTATION
NAME	DATE	
		SCALE: VERT. HORIZ. DATE
DRAWN BY		CHECKED BY

PLOT DATE = Thu Mar 30 07:45:45 2006  
 FILE NAME = P:\P\Projects\64B33\ANDALUSIA\PLAN SHEETS\64B33.dgn  
 USER NAME = N1111

F.A.P. RTE.	SECTION	COUNTY	TOTAL SHEETS	SHEET NO.
599	62MFT-TS	ROCK ISLAND	10	6
STA.		TO STA.		
FED. ROAD DIST. NO.	ILLINOIS	FED. AID PROJECT		

PAVEMENT MARKING NOTES  
 PAVEMENT MARKING SHALL BE APPLIED ACCORDING TO DISTRICT STANDARD 41.1 AS SHOWN IN THESE PLANS AND/OR AS DIRECTED BY KURT GLAZIER OF THE ILLINOIS DEPARTMENT OF TRANSPORTATION. MR GLAZIER SHALL BE CONTACTED TWO (2) WEEKS PROIR TO SCHEDULING OF WORK AT 815-284-5478.



PLOT DATE = Thu Mar 30 07:45:45 2006  
 FILE NAME = P:\P\Projects\64B33\RDALUS\PLAN SHEETS 64B33.dgn  
 PLOT SCALE = 28.0000' / 1" = 1:2800  
 USER NAME = RLK1

REVISIONS	
NAME	DATE

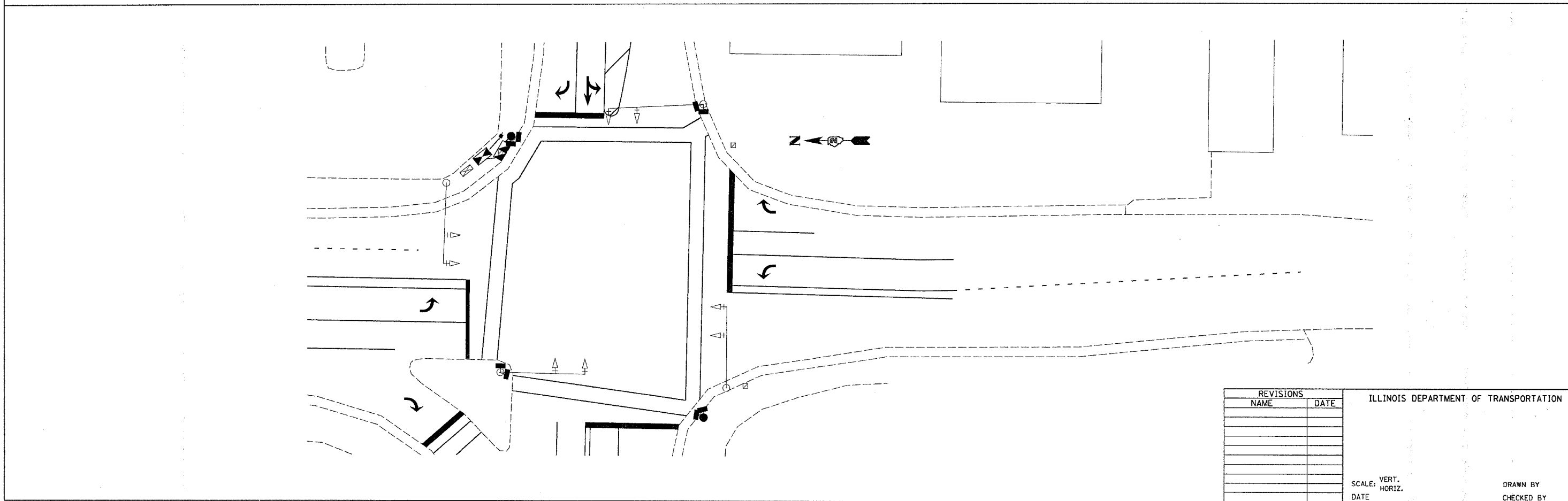
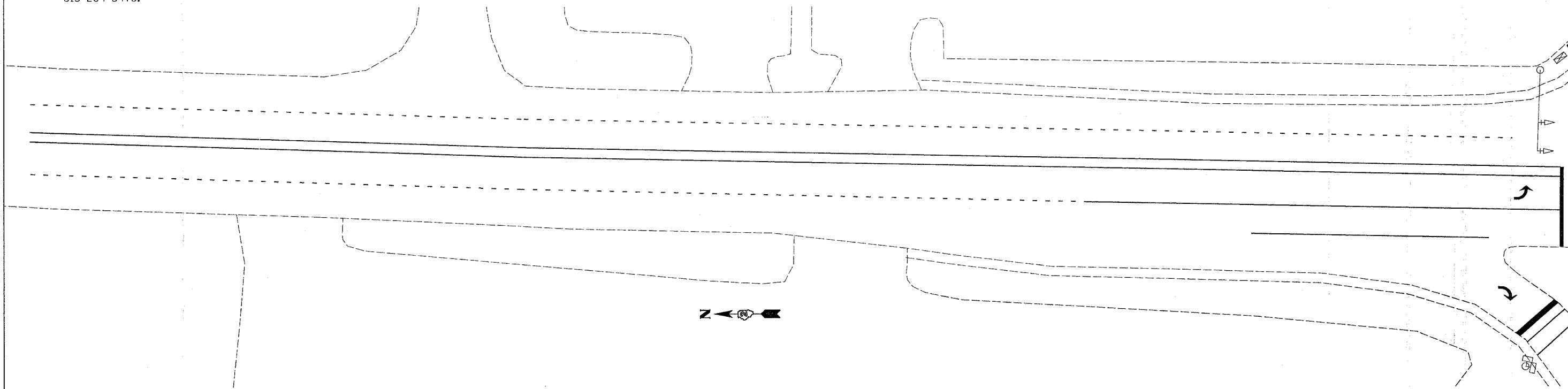
ILLINOIS DEPARTMENT OF TRANSPORTATION  
**PAVEMENT MARKINGS**

SCALE: VERT. \_\_\_\_\_  
 HORIZ. \_\_\_\_\_  
 DATE \_\_\_\_\_

DRAWN BY \_\_\_\_\_  
 CHECKED BY \_\_\_\_\_

F.A.P. RTE.	SECTION	COUNTY	TOTAL SHEETS	SHEET NO.
599	62MFT-TS	ROCK ISLAND	10	7
STA.		TO STA.		
FED. ROAD DIST. NO.	ILLINOIS	FED. AID PROJECT		

PAVEMENT MARKING NOTES  
 PAVEMENT MARKING SHALL BE APPLIED ACCORDING TO DISTRICT STANDARD 41.1 AS SHOWN IN THESE PLANS AND/OR AS DIRECTED BY KURT GLAZIER OF THE ILLINOIS DEPARTMENT OF TRANSPORTATION. MR GLAZIER SHALL BE CONTACTED TWO (2) WEEKS PROIR TO SCHEDULING OF WORK AT 815-284-5478.



REVISIONS	
NAME	DATE

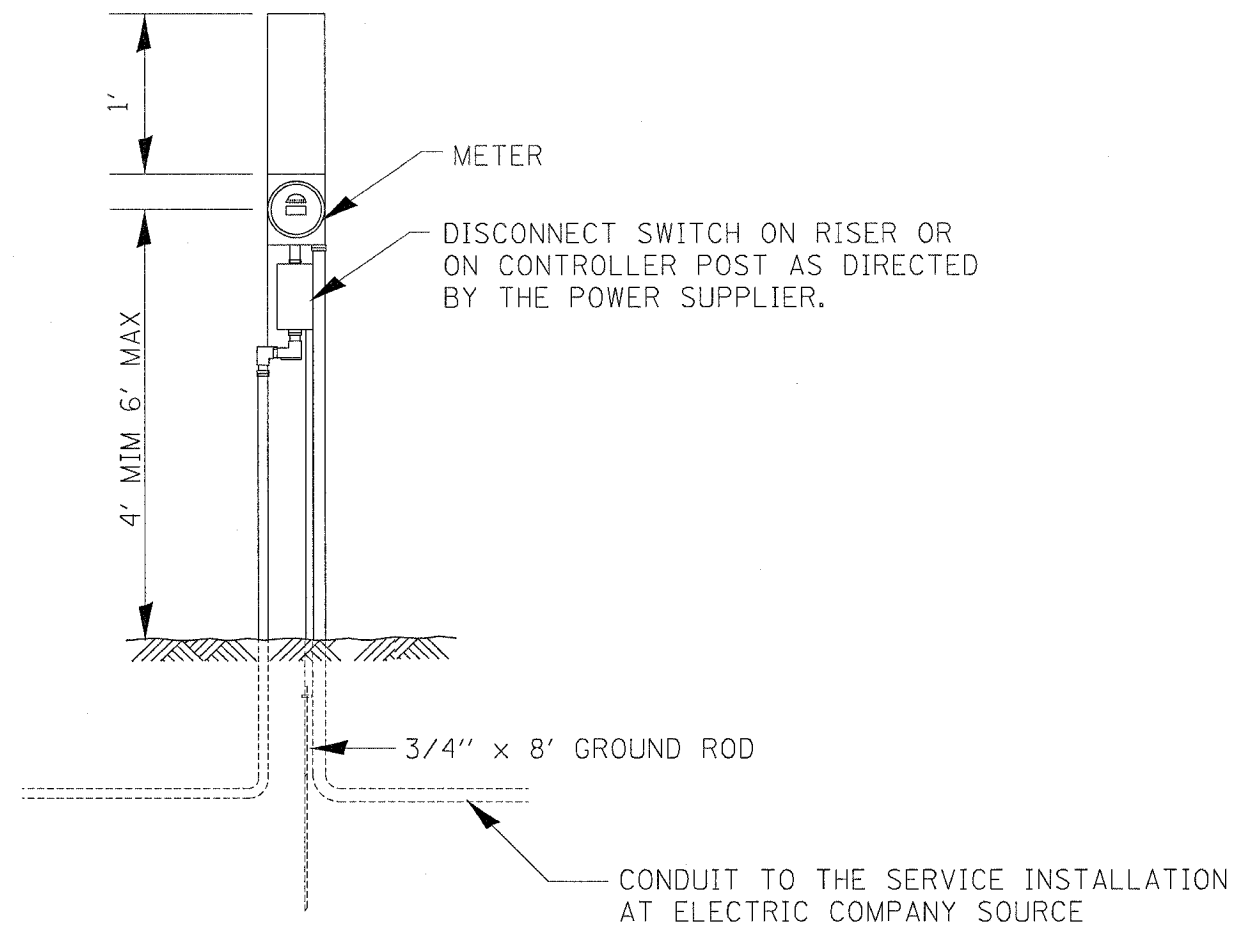
ILLINOIS DEPARTMENT OF TRANSPORTATION

SCALE: VERT. \_\_\_\_\_  
 HORIZ. \_\_\_\_\_  
 DATE \_\_\_\_\_

DRAWN BY \_\_\_\_\_  
 CHECKED BY \_\_\_\_\_

PLOT DATE = Thu Mar 30 07:45:43 2006  
 FILE NAME = P:\Projects\64B33\RDALUSIAN\PLAN SHEETS 64B33.dgn  
 PLOT SCALE = 20/8000 / IN.  
 USER NAME = N111X1

F.A.P. RTE.	SECTION	COUNTY	TOTAL SHEETS	SHEET NO.
599	62MFT-TS	ROCK ISLAND	10	8
STA.		TO STA.		
FED. ROAD DIST. NO.	ILLINOIS	FED. AID PROJECT		



ELECTRIC SERVICE INSTALLATION, SPECIAL  
 (SEE SPECIAL PROVISIONS)  
 (DETAIL ONLY SHOW GENERAL SERVICE WHICH VARIES BY PROVIDERS)

PLOT DATE = Thu Mar 28 07:45:45 2006  
 FILE NAME = P:\Projects\64B33\PLAN\SHEETS\64B33.dgn  
 PLOT SCALE = 20.0000 / IN.  
 USER NAME = NTJL

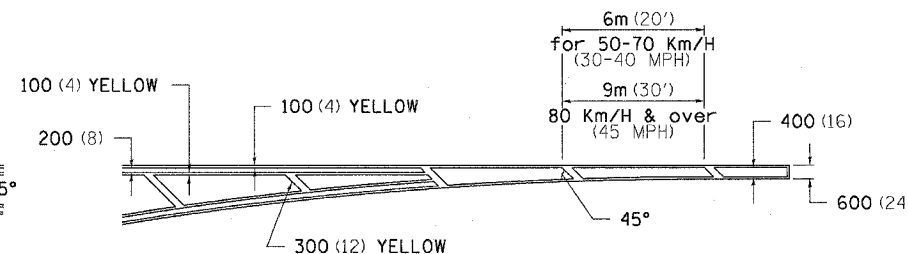
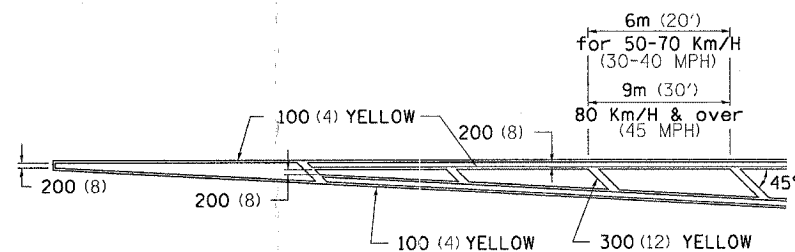
REVISIONS		ILLINOIS DEPARTMENT OF TRANSPORTATION
NAME	DATE	
		SCALE: VERT. HORIZ. DATE
DRAWN BY		CHECKED BY



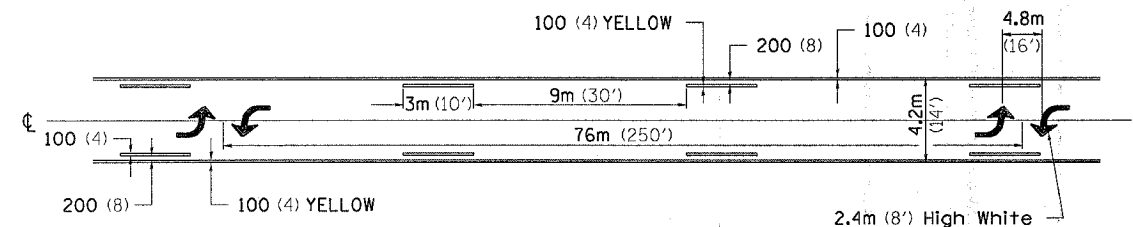
F.A. R. RTE.	SECTION	COUNTY	TOTAL SHEETS	SHEET NO.
599	62MFT-TS	ROCK ISLAND	10	9
STA.		TO STA.		
FED. ROAD DIST. NO.	ILLINOIS	FED. AID PROJECT		

# TYPICAL PAVEMENT MARKINGS

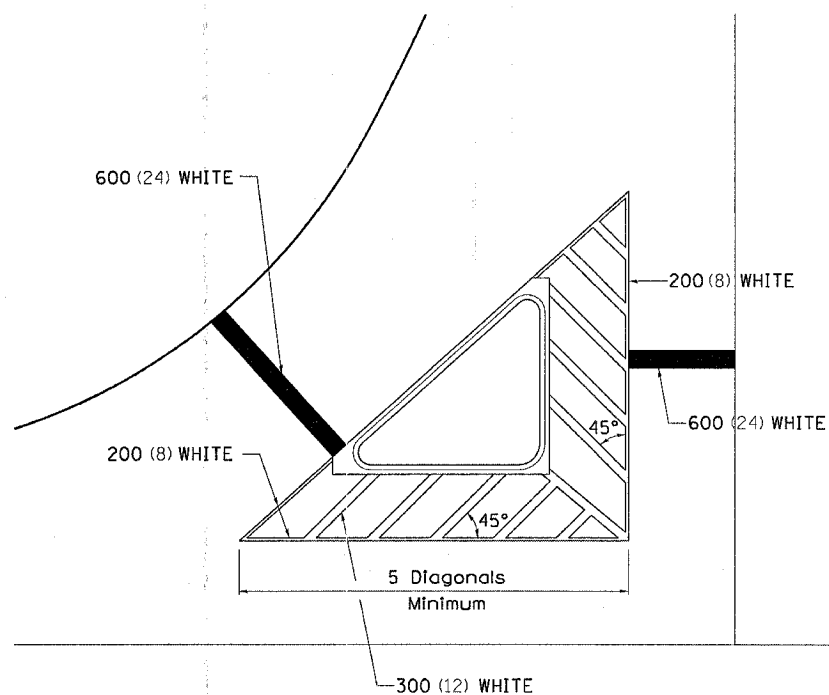
## TYPICAL PAVEMENT MARKING FOR FLUSH MEDIAN



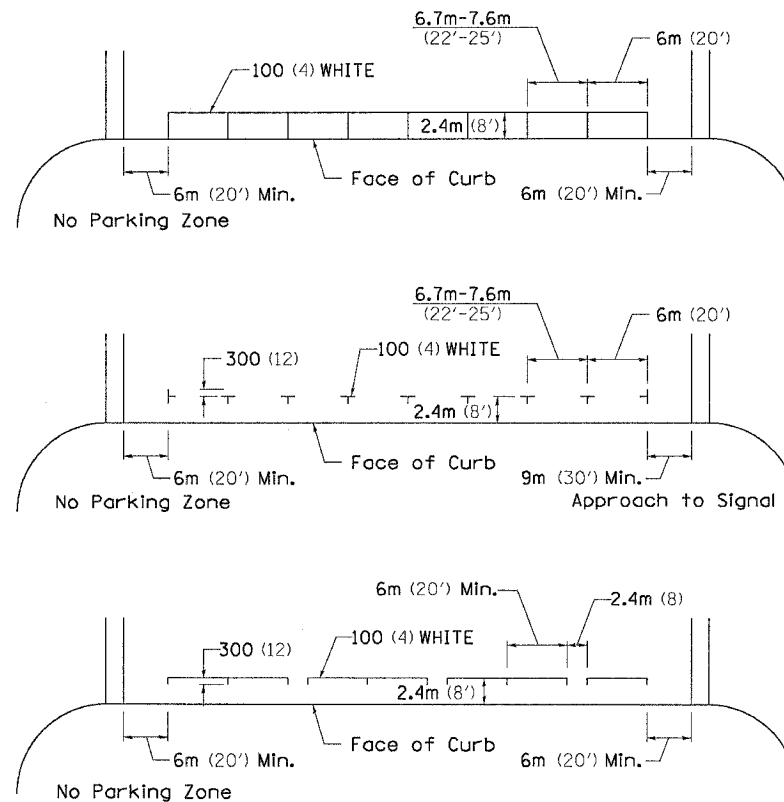
## MEDIAN PAVEMENT MARKING



## TYPICAL ISLAND OFFSET SHOULDER WIDTH



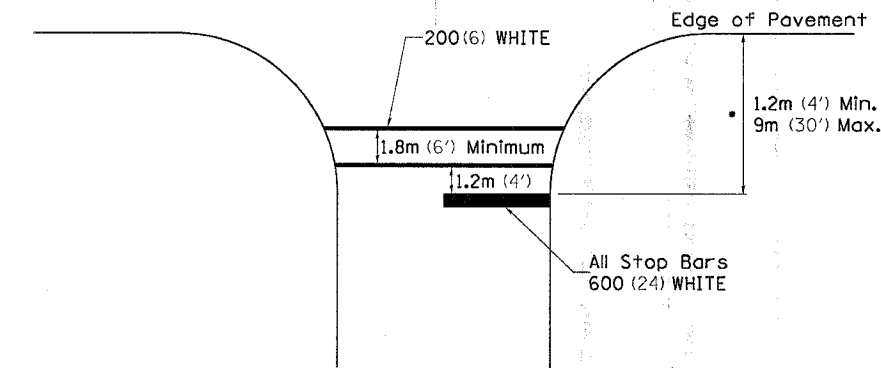
## TYPICAL PARKING SPACING



•• ALL DIMENSIONS ARE IN MILLIMETERS (INCHES) UNLESS OTHERWISE NOTED.

## STANDARD CROSSWALK MARKING

See Schedules for Locations



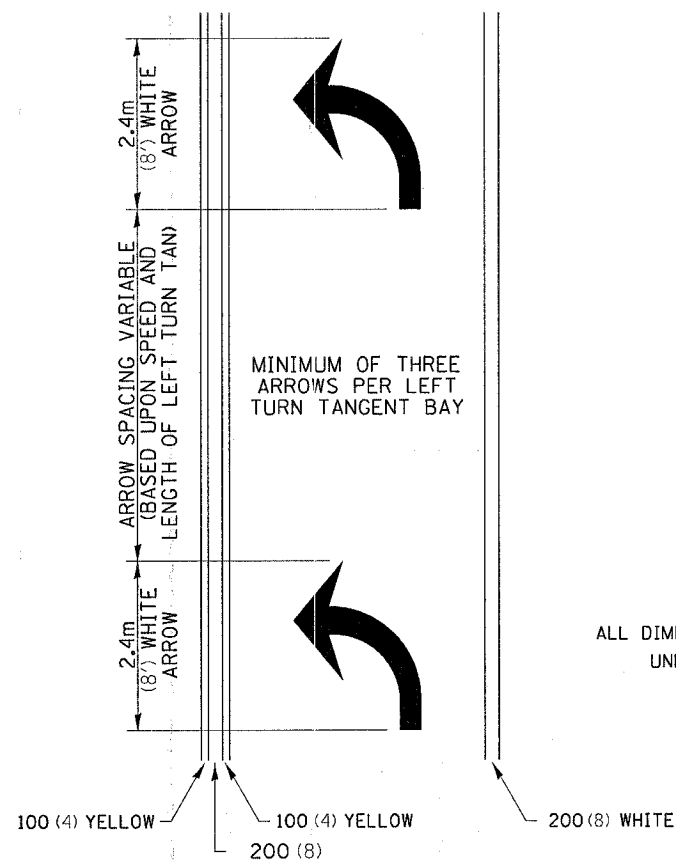
• Distance to the nearest edge of the intersecting roadway in the absence of a marked crosswalk.

PLT DATE = The No. 38 07/15/16 2006  
 FILE NAME = P:\P\meta\64833\ANALYSIS\PLAN SHEETS 64833.dgn  
 PLOT SCALE = 2000000 / IN.  
 REFERENCE = 4833

F.A. P. RTE.	SECTION	COUNTY	TOTAL SHEETS	SHEET NO.
599	62MFT-TS	ROCK ISLAND	10	10
STA.	TO STA.			
FED. ROAD DIST. NO.	ILLINOIS	FED. AID PROJECT		

# TYPICAL PAVEMENT MARKINGS

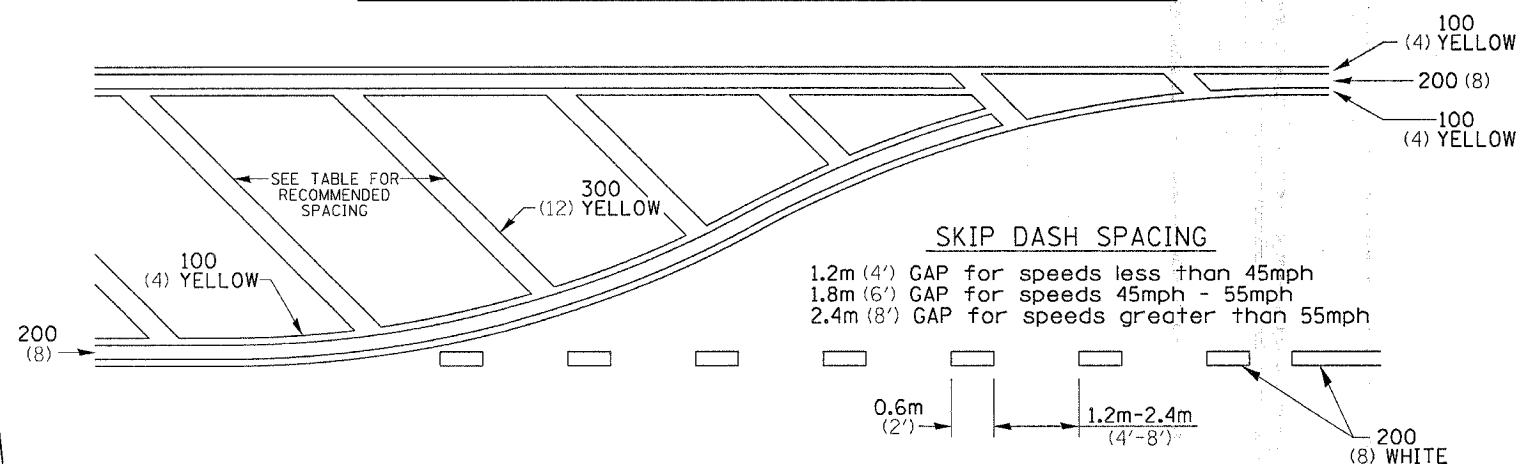
## ARROW LAYOUT



- ▲ ONE-WAY AMBER MARKER
- △ ONE-WAY CRYSTAL MARKER
- ◆ TWO-WAY AMBER MARKER

ALL DIMENSIONS ARE IN MILLIMETERS (INCHES) UNLESS OTHERWISE NOTED.

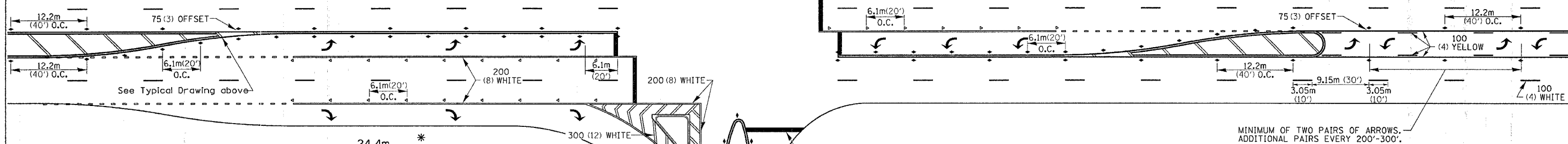
## TYPICAL PAVEMENT MARKING FOR FLUSH MEDIAN



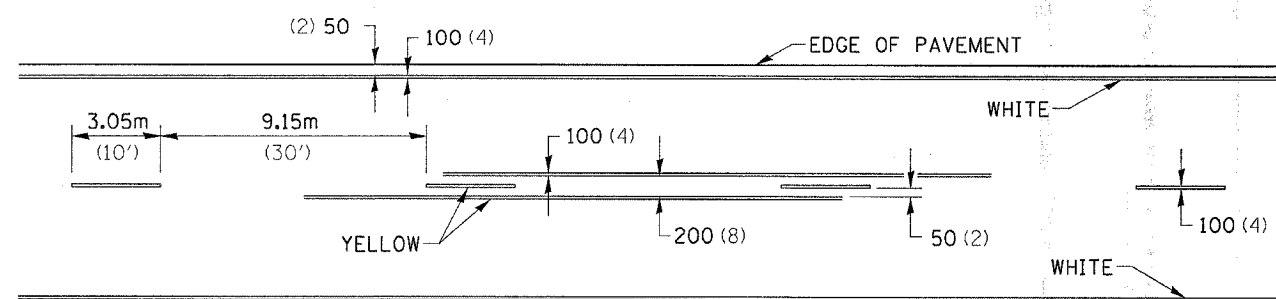
### RECOMMENDED SPACING BETWEEN DIAGONALS (IN FEET)

Speed Limit Range	Continuous Median Area	Intersection Channelization	Objects (Islands)
less than 50Km/H (30MPH)	15.3m (50')	4.53m (15')	3.05m (10')
50-60Km/H (30-40MPH)	22.9m (75')	6.1m (20')	4.53m (15')
70Km/H (45MPH) & over	22.9m (75')	9.05m (30')	6.1m (20')

NOTE: if the spacing recommended in the Table does not permit at least five diagonal lines in the area being marked, the spacing from the next lowest speed range should be used. The recommended spacing is measured parallel to the pavement center line.



## TYPICAL PAVEMENT MARKING FOR TWO LANE SECTION - NO PASSING ZONES



## SYMBOLS

See Typical Drawing above

- REDUCE TO 12.2m (40') O.C. ON CURVES WHERE ADVISORY SPEEDS ARE 15Km/H (10MPH) LOWER THAN POSTED SPEEDS.
- USE DOUBLE MARKERS WHEN ADT ≥ 25,000

## MULTI-LANE / UNDIVIDED

PLOT DATE = Thu Mar 30 07:45:46 2006  
 FILE NAME = P:\Projects\64B33\PLAN\PLAN SHEETS 64B33.dgn  
 SCALE = 200000 / 1 IN.  
 REFERENCE = SHEET 6