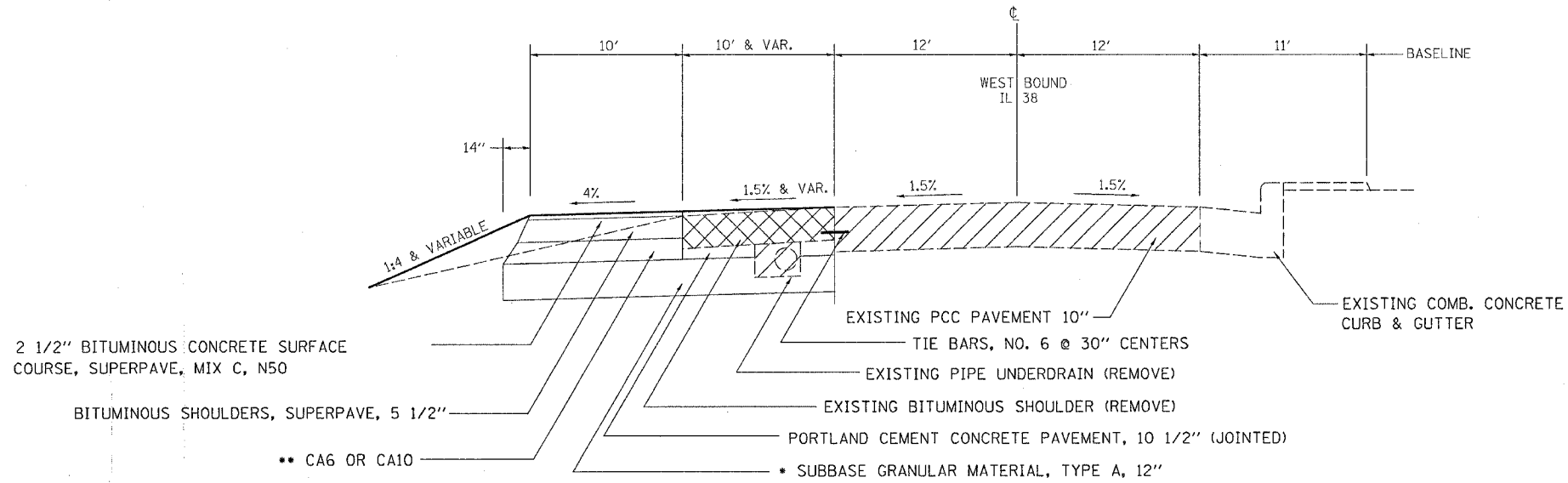


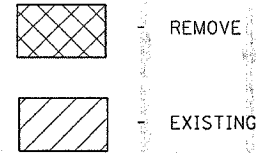
F.A.P. RTE.	SECTION	COUNTY	TOTAL SHEETS	SHEET NO.
567	141-1 M	OGLE	73	11
STA.		TO STA.		
FED. ROAD DIST. NO.		ILLINOIS	FED. AID PROJECT	

# TYPICAL SECTIONS

IL RTE 38  
STA. 668+60.78 TO STA. 671+65.29



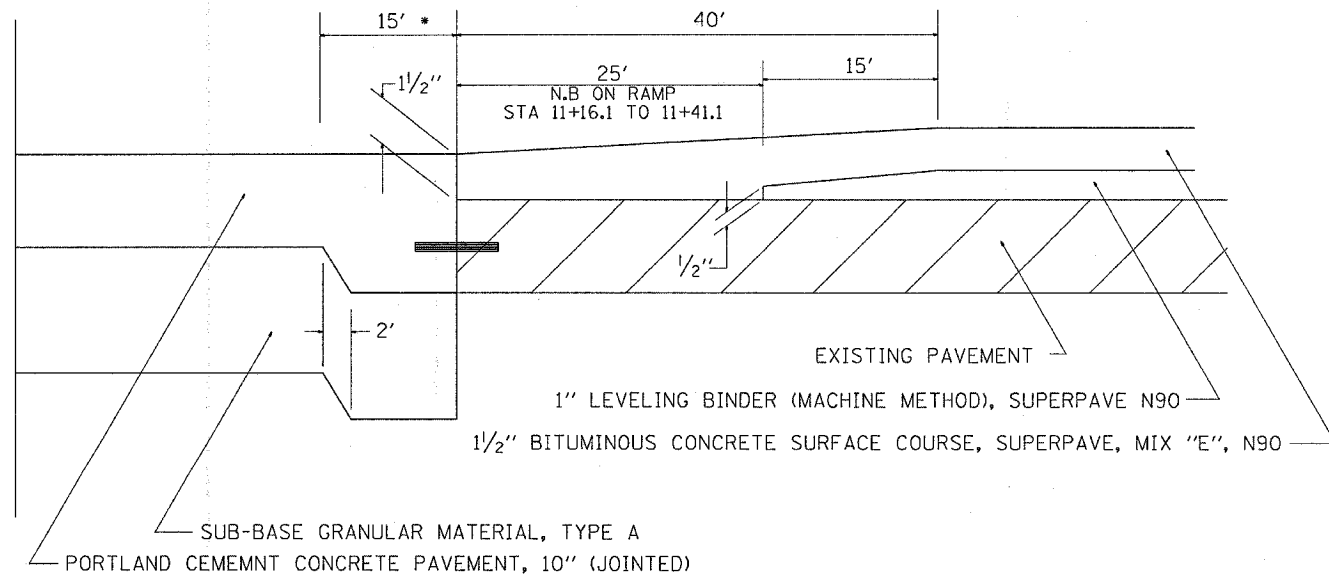
## LEGEND



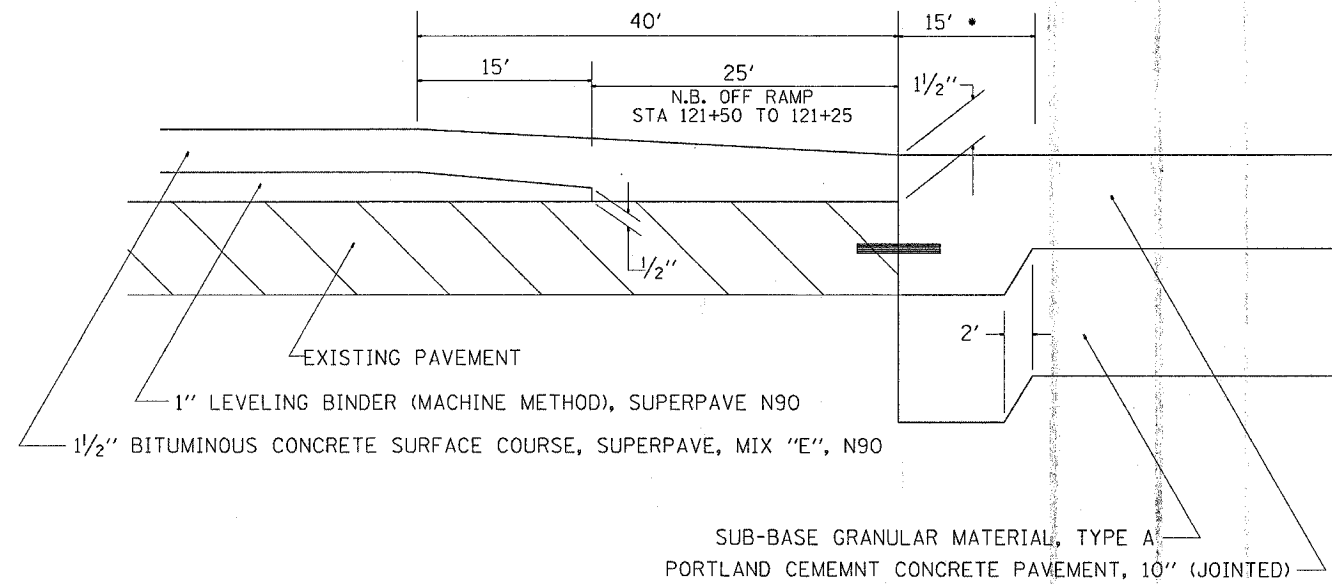
BINDER & SURFACE COURSE  
CALCULATED AT THE RATE  
OF: 112 LBS/S.Y./IN. THICK

\*\* COST OF CA6 OR CA10 INCLUDED IN COST OF SUBBASE GRANULAR MATERIAL, TYPE A

## TYPICAL TAPER



## TYPICAL TAPER



ILLINOIS DEPARTMENT OF TRANSPORTATION

**FAP ROUTE 567 (IL 38)**  
**SECTION 141-1 M**  
**OGLE COUNTY**

SCALE: VERT.  
DATE

DRAWN BY  
CHECKED BY

**TYPICAL SECTION**