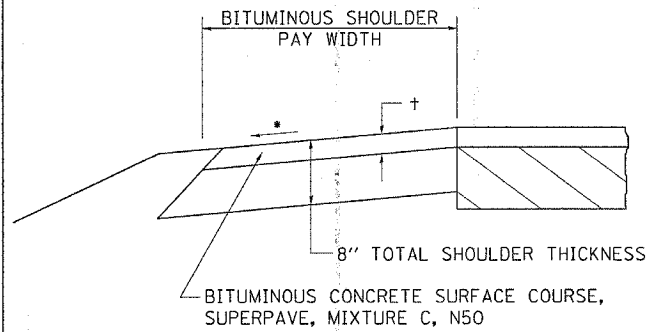


F.A.P. RTE.	SECTION	COUNTY	TOTAL SHEETS	SHEET NO.
*567	141-1 M	OGLE	73	37
STA.		TO STA.		
FED. ROAD DIST. NO.		ILLINOIS	FED. AID PROJECT	

BITUMINOUS SHOULDER

GENERAL NOTES



THE BITUMINOUS SHOULDER SHALL BE CONSTRUCTED IN ACCORDANCE WITH SECTION 482 EXCEPT THE TOP LIFT SHALL BE BITUMINOUS CONCRETE SURFACE COURSE, SUPERPAVE, MIXTURE C, N50. THE WORK WILL BE PAID FOR AT THE CONTRACT UNIT PRICE PER TON FOR BITUMINOUS CONCRETE SURFACE COURSE, SUPERPAVE, MIXTURE C, N50, AND SQUARE YARD FOR BITUMINOUS SHOULDERS SUPERPAVE OF THE THICKNESS SPECIFIED.

USE BITUMINOUS CONCRETE SURFACE COURSE, SUPERPAVE, MIXTURE C, N50, WHEN RESURFACING EXISTING BITUMINOUS SHOULDERS. THE THICKNESS IS SHOWN ON THE TYPICAL SECTIONS. THIS WORK WILL BE PAID FOR AT THE CONTRACT UNIT PRICE PER TON FOR BITUMINOUS CONCRETE SURFACE COURSE, SUPERPAVE, MIXTURE C, N50.

REMOVAL OF MATERIAL FOR PLACEMENT OF THE BITUMINOUS SHOULDER TO BE PAID FOR IN UNITS FOR EXCAVATING AND GRADING EXISTING SHOULDERS OR IN CUBIC YARDS FOR EARTH EXCAVATION OR EARTH EXCAVATION WIDENING.

* 4% WHEN MAINLINE IS ON TANGENT. FOR CROSS SLOPE ON SUPERELEVATION SECTION, SEE HIGHWAY STANDARD 482001 OR 482006.

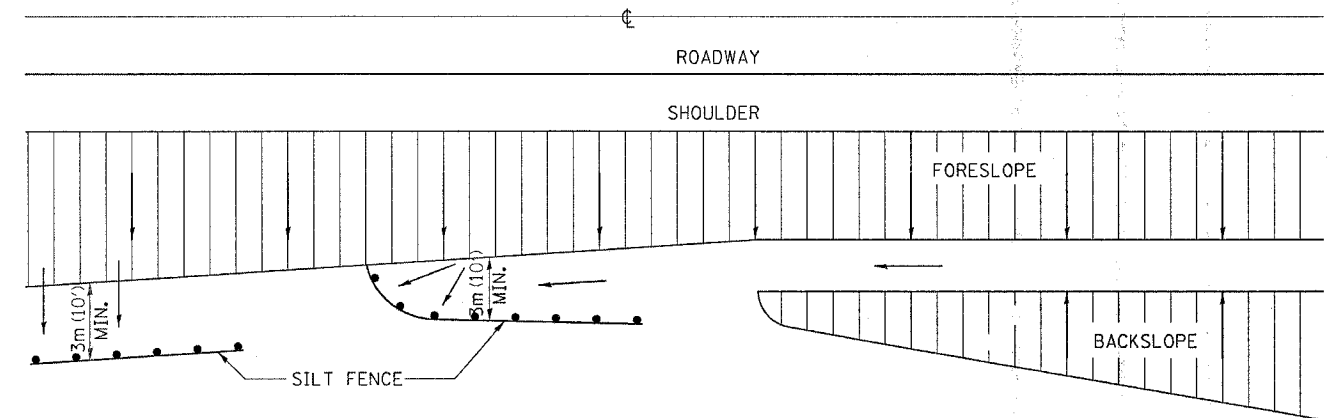
† = SEE TYPICAL SECTIONS FOR THICKNESS

ALL DIMENSIONS ARE IN MILLIMETERS (INCHES) UNLESS OTHERWISE NOTED.

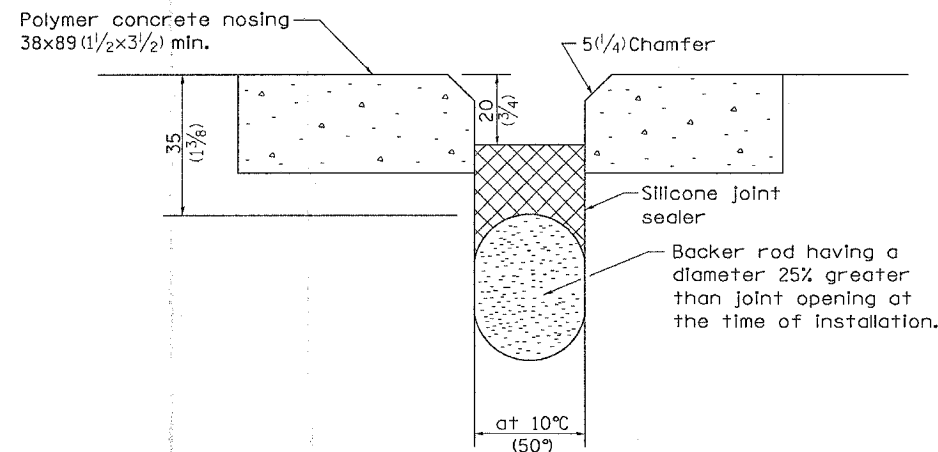
BITUMINOUS SHOULDER 23.4a

REVISED 5-30-03

EROSION CONTROL DETAILS FOR SILT FENCE



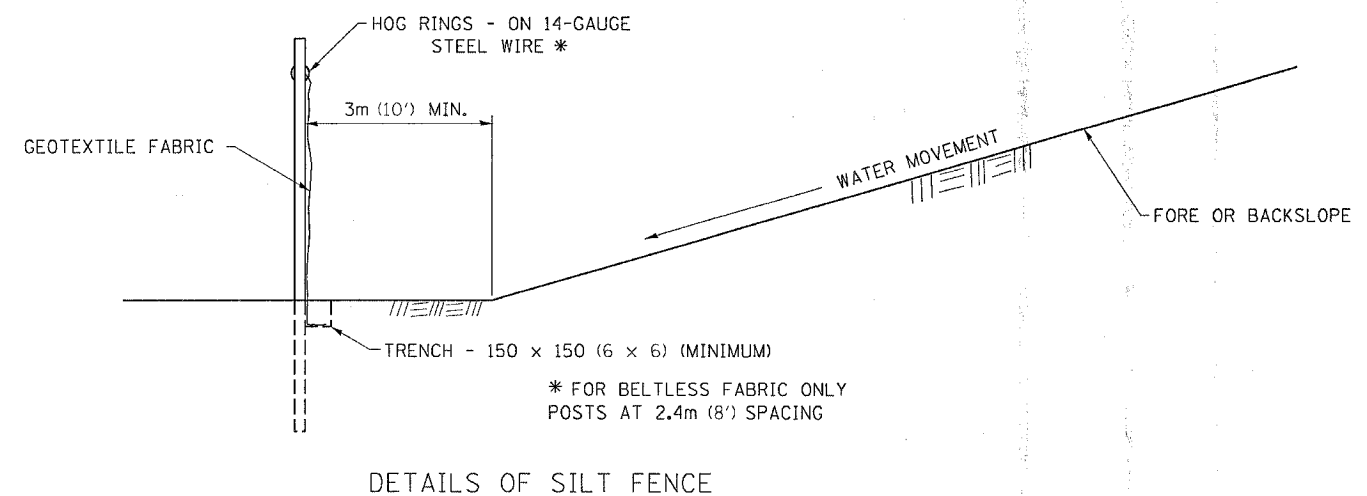
SILICONE JOINT SEAL (CONCRETE DETAILS)



ALL DIMENSIONS ARE IN MILLIMETERS (INCHES) UNLESS OTHERWISE NOTED.

SILICONE JOINT SEAL (CONCRETE DETAILS) 29.4

REVISED 5-1-96



DETAILS OF SILT FENCE

* FOR BELTLESS FABRIC ONLY
POSTS AT 2.4m (8') SPACING

ALL DIMENSIONS ARE IN MILLIMETERS (INCHES) UNLESS OTHERWISE NOTED.

EROSION CONTROL DETAILS FOR SILT FENCE 29.2

REVISED 10-22-01

PLOT DATE = Thu Mar 30 14:27:06 2006
FILE NAME = c:\p\projects\14218005\14218005.dwg
PLOT SCALE = 50.00000 / IN.
REFERENCE = REF#