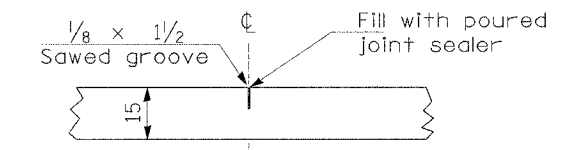


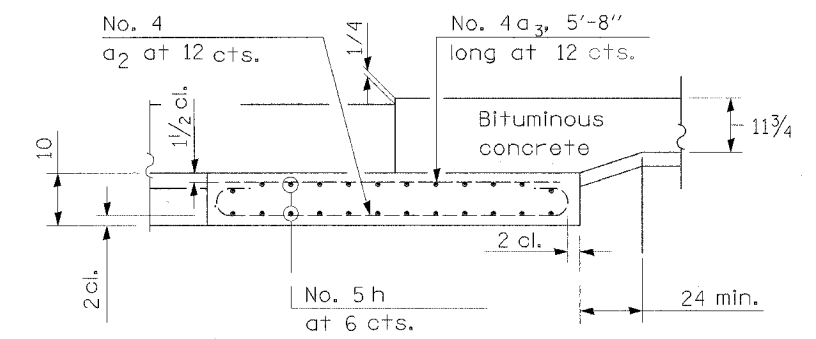
PLAN

* Saw \perp or lane edge if poured two or more lane widths at a time.



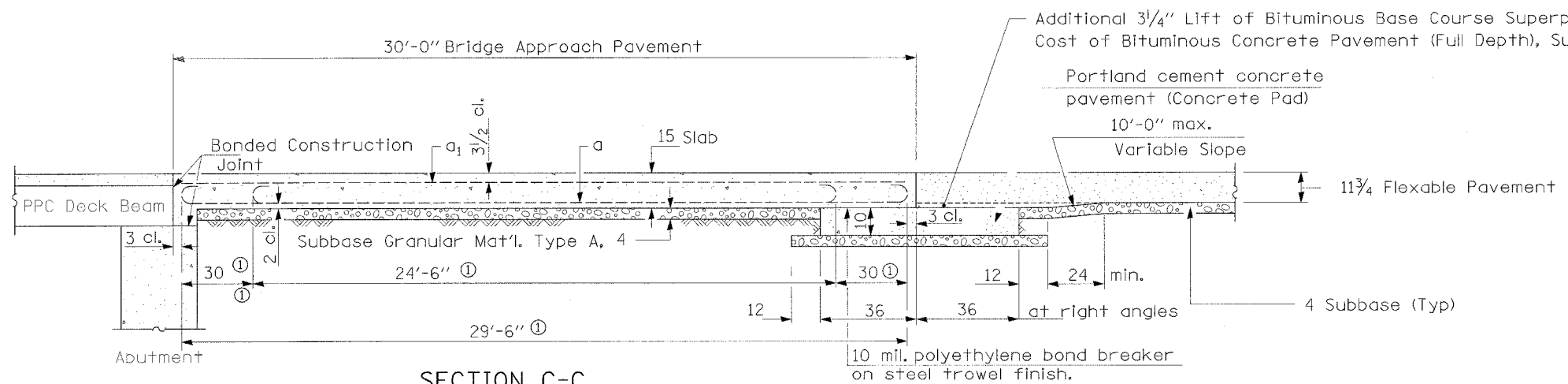
DETAIL B*

(Reinforcement Not Shown)



SECTION G-G - FLEXIBLE PAVEMENT

(Showing reinforcement)



SECTION C-C

① Stagger No. 9 a bars as shown on plan - full width

All dimensions are in inches unless otherwise shown.

REVISIONS	
NAME	DATE

ILLINOIS DEPARTMENT OF TRANSPORTATION
 F.A.P. ROUTE 653 (IL 18)
BRIDGE APPROACH PAVEMENT DETAILS
 SCALE: VERT. _____
 HORIZ. _____
 DATE: MARCH 15, 2006
 DRAWN BY: NEC
 CHECKED BY: MRH

3/15/2006 1:30:58 PM K:\200203\cadd\design\200203_APPSLAB.dgn