

Contract # 66609

GENERAL NOTES

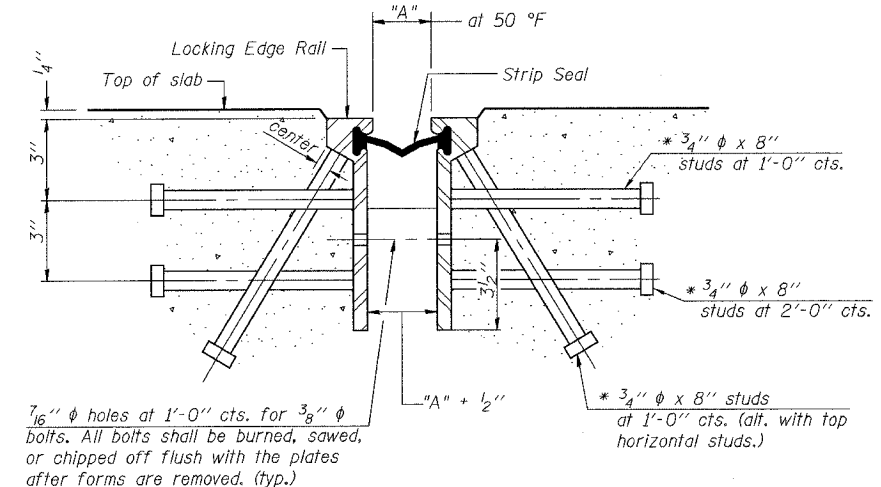
The strip seal shall be made continuous and shall have a minimum thickness of 1/4". The configuration of the strip seal shall match the configuration of the Locking Edge Rails.

The height and thickness of the Locking Edge Rails shown are minimum dimensions. The actual configuration of the Locking Edge Rails and matching strip seal may vary from manufacturer to manufacturer. Flanged edge rails will not be allowed.

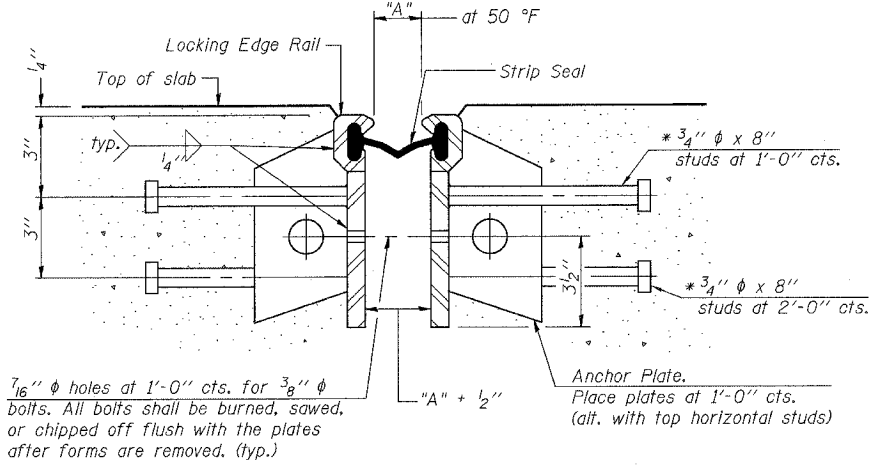
Locking Edge Rails may be spliced at slope discontinuities and stage construction joints.

The manufacturer's recommended installation methods shall be followed.

The joint opening and deck dimensions detailed on the superstructure are based on a preformed joint seal. If the contractor elects to use the alternate strip seal joint, the opening and deck dimensions shall be modified according to the dimensions detailed on this sheet. Required modifications shall be made at no additional cost to the State.



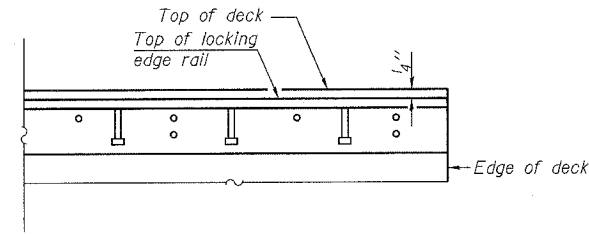
Required Strip Seal rated movement	"A"
1"	1 1/8"
2"	1 3/4"



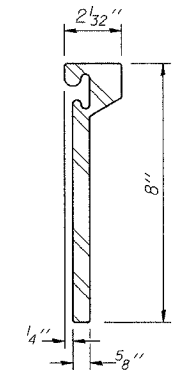
SECTION THRU ROLLED RAIL EXP. JOINT
(360 Studs Required)

SECTION THRU WELDED RAIL EXP. JOINT
(216 Studs Required)
(144 Anchor Plates Required)

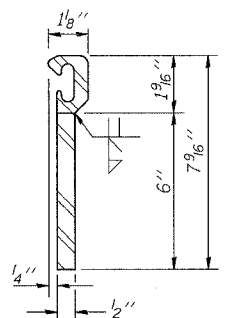
* Granular or solid flux filled headed studs conforming to Article 1006.32 of the Std. Specs., automatically end welded.



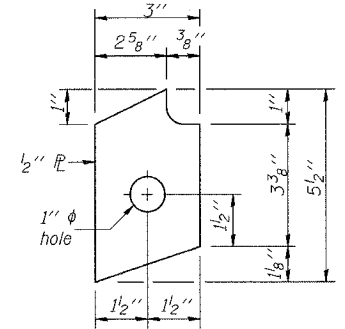
END TREATMENT ELEVATION AT EDGE OF DECK



ROLLED (EXTRUDED) RAIL

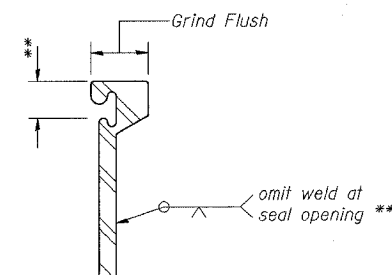


WELDED RAIL



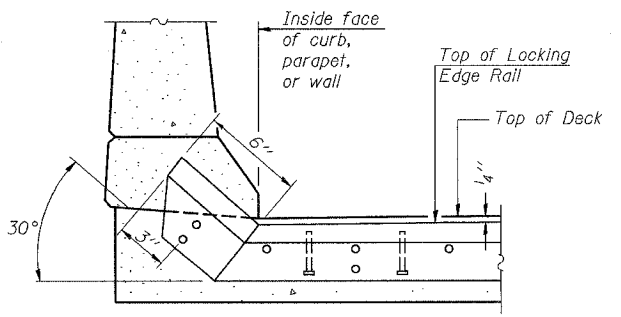
ANCHOR PLATE
(for welded rail)

LOCKING EDGE RAILS

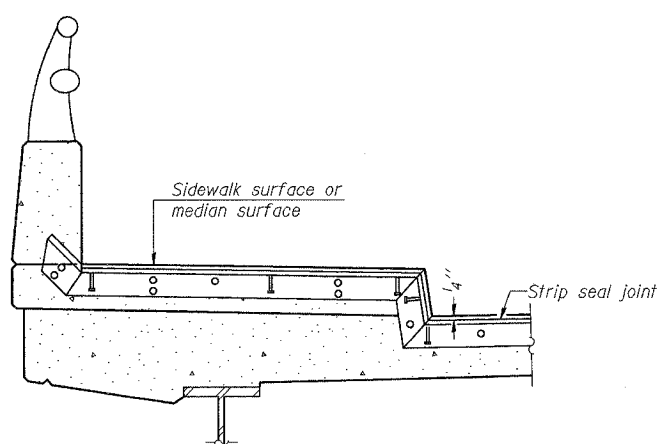


LOCKING EDGE RAIL SPLICE

The inside of the locking edge rail groove shall be free of weld residue.



AT CURB, PARAPET, OR WALL



AT SIDEWALK OR MEDIAN*

* Shorter plates with a single row of studs at 12" centers may be necessary on medians which are shallower than 9". See manufacturer's recommendation.

TYPICAL END TREATMENTS

BILL OF MATERIAL

Item	Unit	Total
Preformed Joint Strip Seal, 1"	foot	72.0

<p>Excellence through Ownership</p> <p>200 West Front Street Wheaton, IL 60187</p>	<p>ILLINOIS DEPARTMENT OF TRANSPORTATION BRIDGE JOINT SYSTEM-EXPANSION (ALTERNATE STRIP SEAL) IL-18 OVER NORFOLK SOUTHERN R.R. FAP RTE 653 - SECTION 28 VBR LIVINGSTON COUNTY STATION 742+85.76 STRUCTURE NO. 053-0061</p>
	<p>DATE: 3-15-2006</p> <p>DRAWN BY JMT CHECKED BY WJV</p>