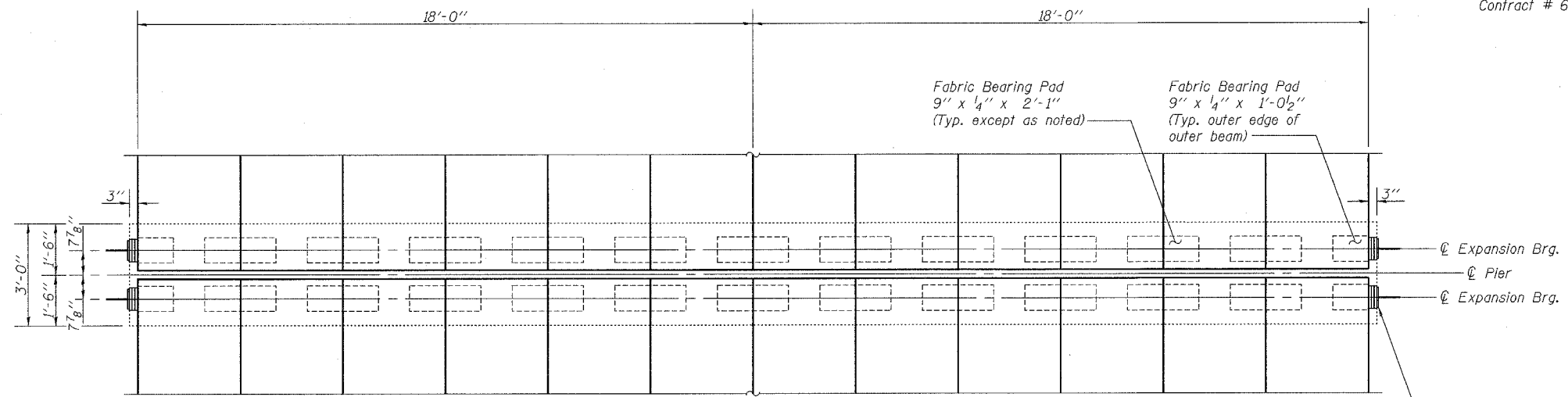


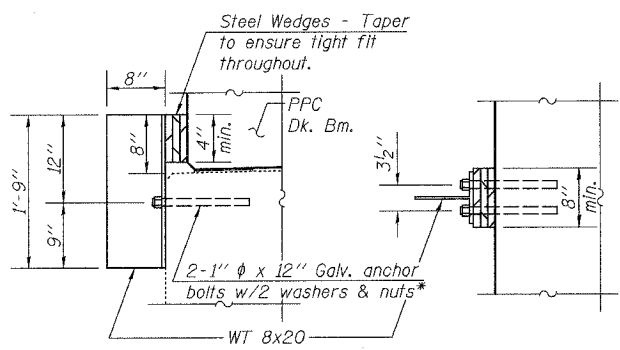
ROUTE NO.	SECTION	COUNTY	SHEET NO.	SHEET NO.
FAP 653	28 VBR	LIVINGSTON	28	20
FED. ROAD DIST. NO. 7		ILLINOIS	FED. AID PROJECT	

Contract # 66609

SHEET NO. 9
9 SHEETS



PIER 2 PLAN
(Concrete wearing surface not shown)

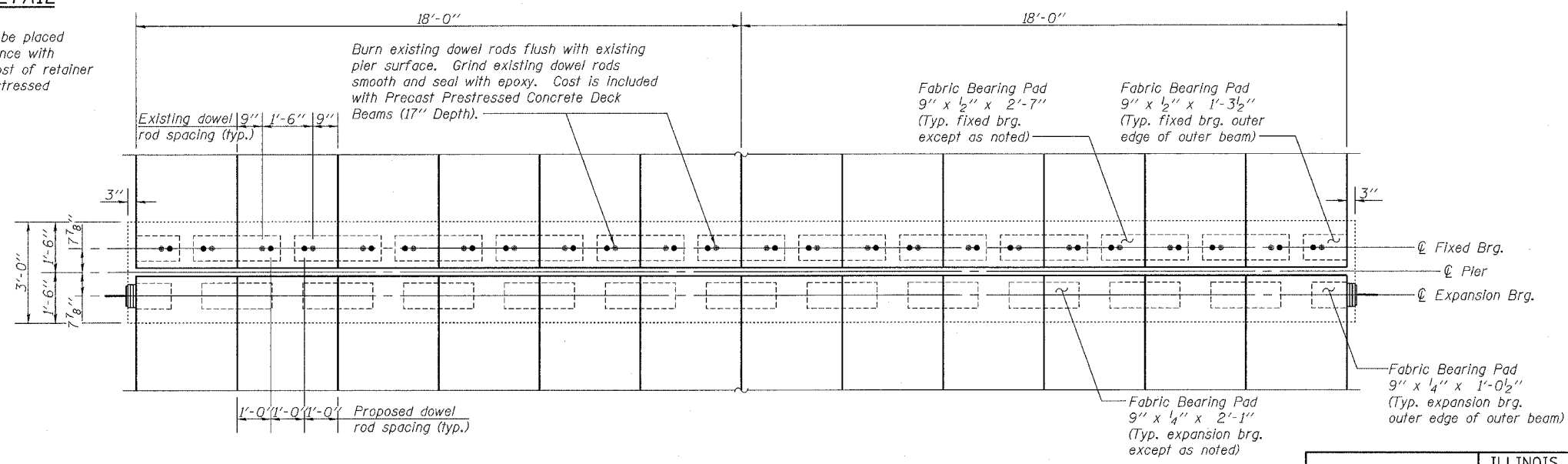


SIDE RETAINER DETAIL

* Anchor bolts or approved threaded rod shall be placed in drilled holes and grouted in place in accordance with Article 584 of the Standard Specifications. Cost of retainer and accessories are included with Precast Prestressed Concrete Deck Beams.

NOTES

Install side retainers at each end before grouting the shear keys.
The side retainers shall be galvanized after shop fabrication according to AASHTO M III and ASTM A 385.
After block-outs are poured and cured the retainer WT sections shall be removed.
Anchor bolts may be left in place.



PIER 1 PLAN
(Concrete wearing surface not shown)



<p>Excellence through Ownership</p> <p>200 West Front Street Wheaton, IL 60187</p>	ILLINOIS DEPARTMENT OF TRANSPORTATION
	<p>PIERS IL-18 OVER NORFOLK SOUTHERN R.R. FAP RTE 653 - SECTION 28 VBR LIVINGSTON COUNTY STATION 742+85.76 STRUCTURE NO. 053-0061</p>
	<p>DATE: 3-15-2006</p> <p>DRAWN BY LCM CHECKED BY WJV</p>