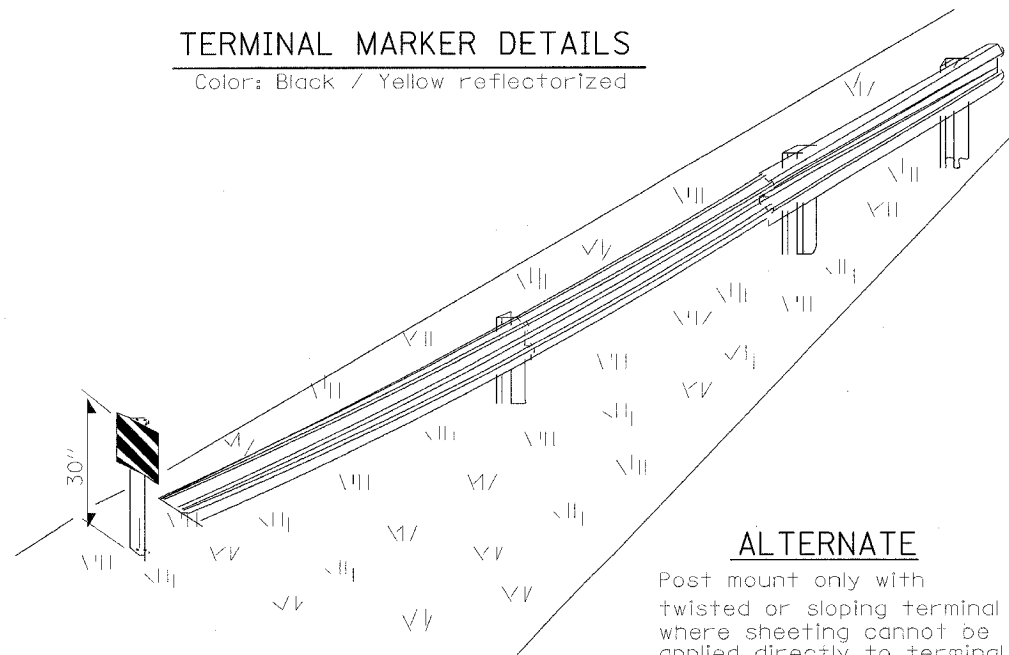


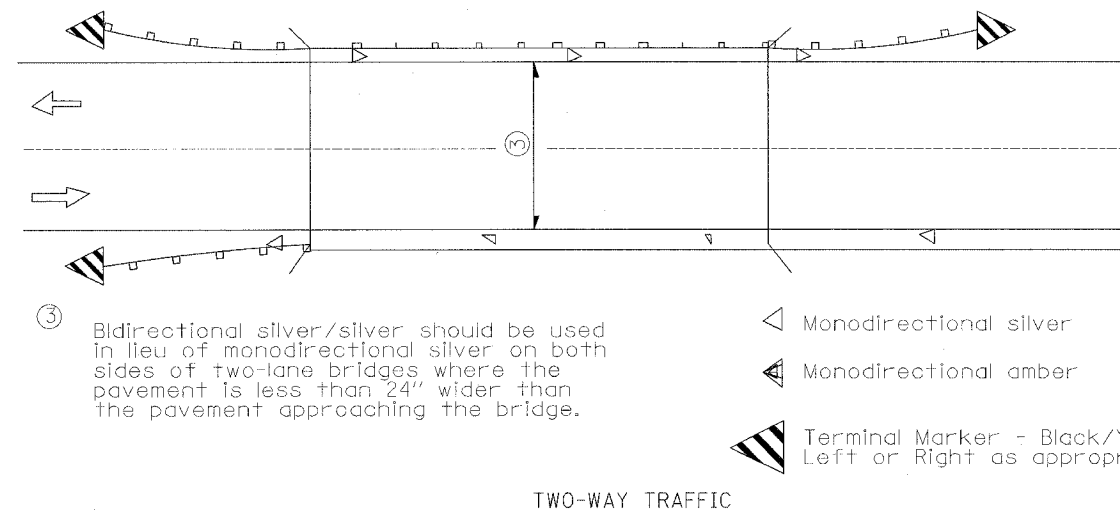
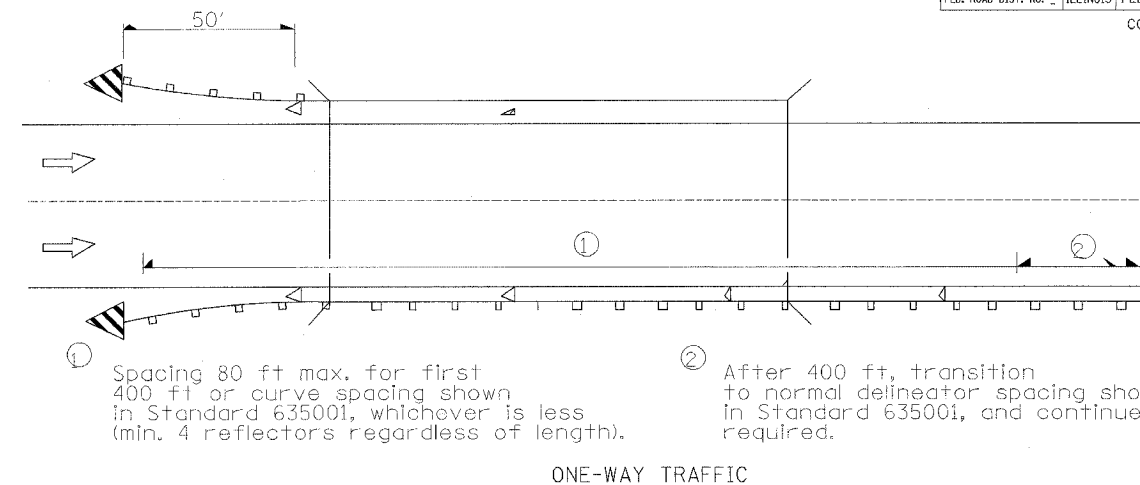
**TERMINAL MARKER DETAILS**

Color: Black / Yellow reflectorized

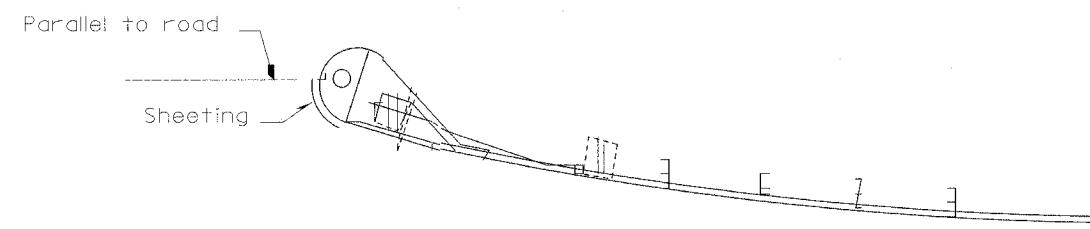


**ALTERNATE**

Post mount only with twisted or sloping terminal where sheeting cannot be applied directly to terminal.



**GUARDRAIL / BARRIER WALL / BRIDGE RAIL REFLECTIORS**



**SHEETING POSITION: CASE II**

REVISIONS	
NAME	DATE

ILLINOIS DEPARTMENT OF TRANSPORTATION  
F.A.P. ROUTE 653 (IL 18)

**DETAILS**

SCALE: VERT.  
HORIZ.  
DATE: MARCH 15, 2006

DRAWN BY: NEC  
CHECKED BY: MRH