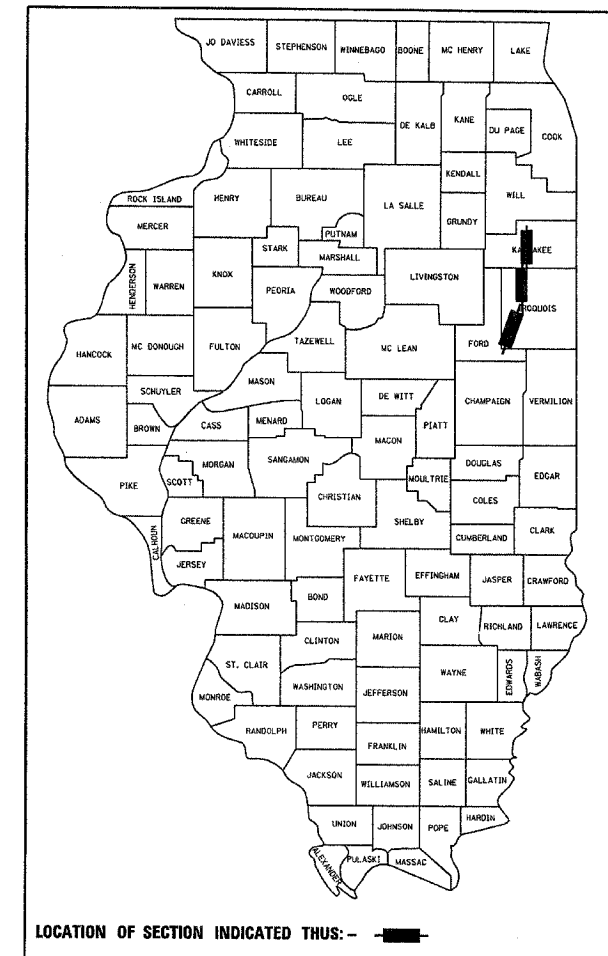


F.A.I. RTE.	SECTION	COUNTY	TOTAL SHEETS	NO.
57		..	3	1

•D3 INTERSTATE SAFETY 2007-1
••FORD, IROQUOIS, KANKAKEE

D-93-026-06



LOCATION OF SECTION INDICATED THIS: - [shaded area]

FUNCTION CLASSIFICATION
INTERSTATE
2003 ADT = VARIES FROM 28600 IN KANKAKEE
TO 15800 IN FORD

INDEX OF SHEETS

- 1 COVERSHEET
- 2 GENERAL NOTES & TYPICAL
- 3 SUMMARY & SCHEDULE

HIGHWAY STANDARDS

- 642001 SHOULDER RUMBLE STRIPS
- 701106-01 OFF-ROAD OPERATIONS, MULTILANE, MORE THAN 4.5 m (15') AWAY
- 701400-02 APPROACH TO LANE CLOSURE, FREEWAY/EXPRESSWAY
- 701406-04 LANE CLOSURE, FREEWAY/EXPRESSWAY
- 701411-03 LANE CLOSURE, MULTILANE, AT ENTRANCE OR EXIT RAMP
- FOR SPEEDS P 45 MPH
- 702001-06 TRAFFIC CONTROL DEVICES

STATE OF ILLINOIS
DEPARTMENT OF TRANSPORTATION
DIVISION OF HIGHWAYS

**PROPOSED
HIGHWAY PLANS**

FAI ROUTE 57 (I-57)
SECTION D3 INTERSTATE SAFETY 2007-1

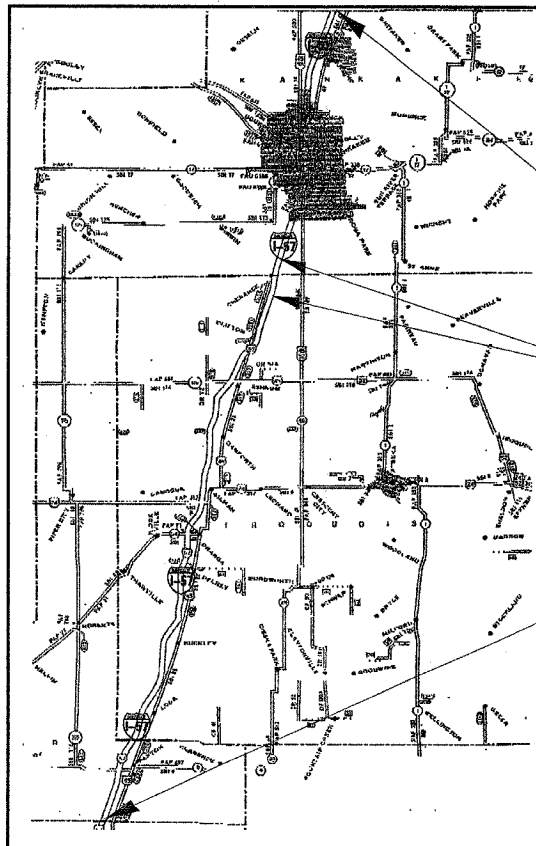
PROJECT HSIP-057-5(190)257

FORD, IROQUOIS, KANKAKEE COUNTIES

C - 93 - 046 - 06

PROJECT DESCRIPTION

MILL RUMBLE STRIPS IN SHOULDERS



PROJECT ENDS MM POST 325
KANKAKEE/WILL COUNTY LINE

OMIT FROM MM 298.2
TO MM 302.6

PROJECT BEGINS MM POST 257.14
CHAMPAIGN /FORD COUNTY LINE

OMIT ALL RIVER BRIDGE STRUCTURES

**LOCATION MAP
NOT TO SCALE**

GROSS LENGTH = 358,300 FT. = 67.86 MI.
NET LENGTH = APPROXIMATELY 331,584 FT. = 62.8 MI.

MICROFILMED _____
REEL NUMBER _____
AWARDED _____
RESIDENT ENGINEER _____
AS BUILT CHANGES WERE MADE
ON THE FOLLOWING SHEETS _____

JULIE 1-800-892-0123

DISTRICT 3 NO. (815) 434-6131

PROJECT ENGINEER: DAN DRAPER
UNIT CHIEF: PAT BRABOY
TOWNSHIPS: VARIOUS

CONTRACT NO. 66637

PRINTED BY THE AUTHORITY
OF THE STATE OF ILLINOIS

P. A. SHE.	SECTION	COUNTY	TOTAL SHEETS	SHEET NO.
57	.	**	3	2
STA.		TO STA.		
FED. ROAD DIST. NO. .		ILLINOIS	FED. AID PROJECT	

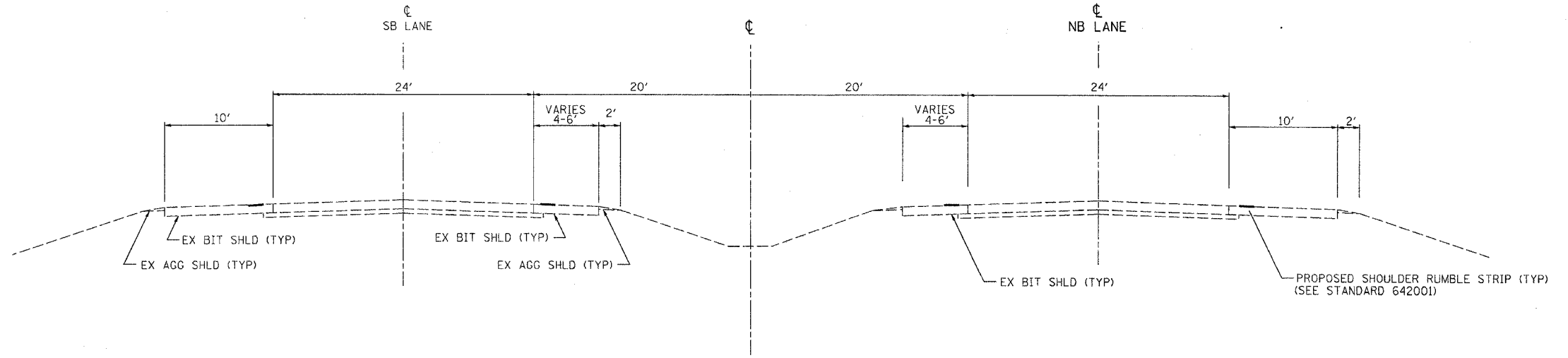
*D3 INTERSTATE SAFETY 2007-1
 **FORD, IROQUOIS, KANKAKEE

GENERAL NOTES
 (Revised January 1, 2002)

ABANDONED UNDERGROUND UTILITIES THAT CONFLICT WITH CONSTRUCTION SHALL BE DISPOSED OF OUTSIDE THE LIMITS OF THE RIGHT OF WAY ACCORDING TO ARTICLE 202.03 OF THE STANDARD SPECIFICATIONS AND AS DIRECTED BY THE ENGINEER. THIS WORK WILL NOT BE PAID FOR SEPARATELY BUT SHALL BE INCLUDED IN THE COST OF EARTH EXCAVATION.

ANY REFERENCE TO A STANDARD IN THESE PLANS SHALL BE INTERPRETED TO MEAN THE EDITION AS INDICATED BY THE SUBNUMBER LISTED ON THE INDEX OF SHEETS OR THE COPY OF THE STANDARD INCLUDED IN THESE PLANS.

COMMITMENTS:
 NONE



MM POSTS 257.14 TO 325.0
 OMIT ALL RIVER BRIDGE STRUCTURES
 OMIT MM 298.2 TO MM 302.6

TYPICAL SECTION
FAI 57

STATE OF ILLINOIS
 DEPARTMENT OF TRANSPORTATION
 DISTRICT THREE

PREPARED BY: Phil Powell
 DISTRICT STUDIES & PLANS ENGINEER

DATE: 1-18-2006

EXAMINED BY: Robert D. [Signature]
 DISTRICT CONSTRUCTION ENGINEER

[Signature]
 DISTRICT MATERIALS ENGINEER

[Signature]
 DISTRICT OPERATIONS ENGINEER

REVISIONS	
NAME	DATE

ILLINOIS DEPARTMENT OF TRANSPORTATION
**GENERAL NOTES &
 TYPICAL
 SECTION**

F. A. RTE.	SECTION	COUNTY	TOTAL SHEETS	SHEET NO.
57	*	**	3	3
STA.		TO STA.		
FED. ROAD DIST. NO.		ILLINOIS	FED. AID PROJECT	

*03 INTERSTATE SAFETY 2007-1
 **FORD, IROQUOIS, KANKAKEE

SHOULDER RUMBLE STRIPS					
LOCATION	NBL	NBL	SBL	SBL	COUNTY
MM POSTS	MEDIAN SLDR	OUTSIDE SHLD	MEDIAN SLDR	OUTSIDE SHLD	TOTALS
	FT	FT	FT	FT	FT
FORD COUNTY					
MM 257.14 TO MM 261.0	20,381	20,381	20,381	20,381	81,524
IROQUOIS COUNTY					
MM 261.0 TO MM 298.2	196,416	196,416	196,416	196,416	785,664
OMIT MM 298.2 TO MM 302.6					
KANKAKEE COUNTY					
MM 302.6 TO MM 325.04	118,483	118,483	118,483	118,483	473,932
TOTAL	335,280	335,280	335,280	335,280	1,341,120

OMIT ALL RIVER BRIDGE STRUCTURES

SUMMARY OF QUANTITIES

CODE NO.	ITEM	UNIT	CONSTR. TYPE CODE	FORD COUNTY	IROQUOIS COUNTY	KANKAKEE COUNTY
			SFTY 2A TOTAL			
64200105	SHOULDER RUMBLE STRIP	FOOT	1341120	81524	785664	473932
67100100	MOBILIZATION	L SUM	1	0.34	0.33	0.33
70100700	TRAFFIC CONTRTOL AND PROTECTION, STANDARD 701406	LSUM	1	0.34	0.33	0.33
X7011420	TRAFFIC CONTROL AND PROTECTION, STANDARD 701411	LSUM	1	0.34	0.33	0.33

1/18/2006 c:\p\projects\6602606\01\shrs.dgn

REVISIONS	
NAME	DATE

ILLINOIS DEPARTMENT OF TRANSPORTATION

SCHEDULE & SUMMARY OF QUANTITIES