

F.A.L. NO.	SECTION	COUNTY	TOTAL SHEETS	SHEET NO.
74	*	**	28	2
STA.		TO STA.		
FED. ROAD DIST. NO.		ILLINOIS	FED. AID PROJECT	
* 03 INTERSTATE SAFETY 2007-2				
** FORD, IROQUOIS, KANKAKEE				

GENERAL NOTES

SEEDING SHALL NOT BE PERMITTED AT ANY TIME WHEN THE GROUND IS FROZEN, WET, OR IN AN UNTILLABLE CONDITION. LOCATIONS TO BE SEEDED WILL BE DETERMINED BY THE ENGINEER.

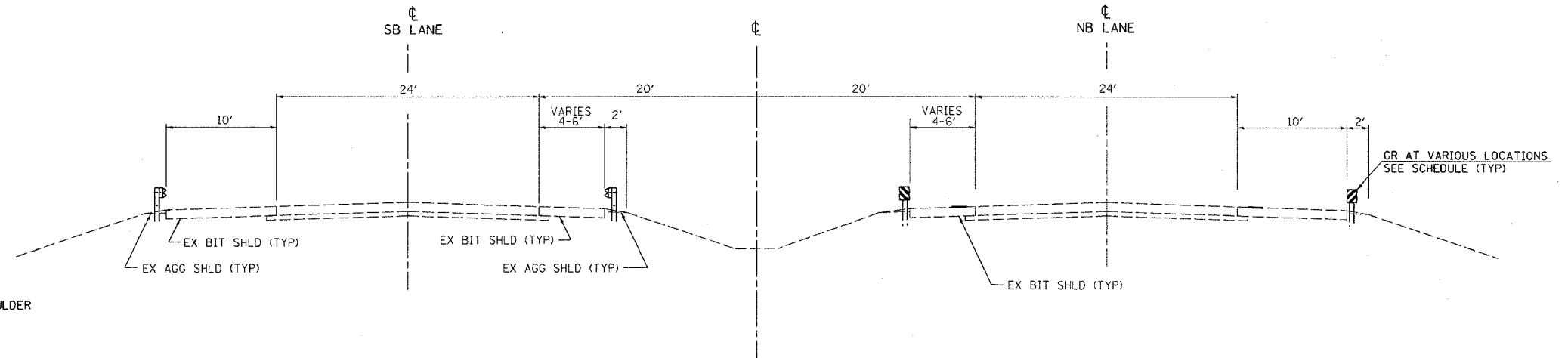
ABANDONED UNDERGROUND UTILITIES THAT CONFLICT WITH CONSTRUCTION SHALL BE DISPOSED OF OUTSIDE THE LIMITS OF THE RIGHT OF WAY ACCORDING TO ARTICLE 202.03 OF THE STANDARD SPECIFICATIONS AND AS DIRECTED BY THE ENGINEER. THIS WORK WILL NOT BE PAID FOR SEPARATELY BUT SHALL BE INCLUDED IN THE COST OF EARTH EXCAVATION.

ANY REFERENCE TO A STANDARD IN THESE PLANS SHALL BE INTERPRETED TO MEAN THE EDITION AS INDICATED BY THE SUBNUMBER SHOWN IN THE LIST OF STANDARDS INCLUDED IN THESE PLANS.

AREAS WHERE NEW FURNISHED EXCAVATION IS PLACED SHALL BE SEEDED AND FERTILIZED. THIS WORK SHALL NOT BE PAID FOR SEPARATELY, BUT SHALL BE INCLUDED IN THE COST OF FURNISHED EXCAVATION

THERE ARE SEVERAL AREAS THROUGHOUT THE PROJECT WHERE THERE IS EXISTING BITUMINOUS SHOULDER WHERE CURB AND GUTTER NEEDS TO BE PLACED. REMOVAL OF THE BIT. SHOULDER SHALL NOT BE PAID FOR SEPARATELY, BUT SHALL BE INCLUDED IN THE COST OF THE CONCRETE CURB.

GUARDRAIL POSTS THAT NEED TO BE DRIVEN THROUGH EXISTING BITUMINOUS SHOULDER OR CONCRETE CURB SHALL NOT BE PAID FOR SEPARATELY BUT SHALL BE INCLUDED IN THE COST OF SPBGR



COMMITMENTS
NONE

MM POSTS 258.2 TO 325.0

TYPICAL SECTION
FAI 57

STATE OF ILLINOIS
DEPARTMENT OF TRANSPORTATION
DISTRICT THREE

PREPARED BY: Ruth Powell
DISTRICT STUDIES & PLANS ENGINEER

DATE: April 3, 2006

EXAMINED BY: Robert K. [Signature]
DISTRICT CONSTRUCTION ENGINEER

Harold R. Long
DISTRICT MATERIALS ENGINEER

Bruce A. [Signature]
DISTRICT OPERATIONS ENGINEER

REVISIONS	
NAME	DATE

ILLINOIS DEPARTMENT OF TRANSPORTATION
**GENERAL NOTES
&
TYPICAL SECTIONS**