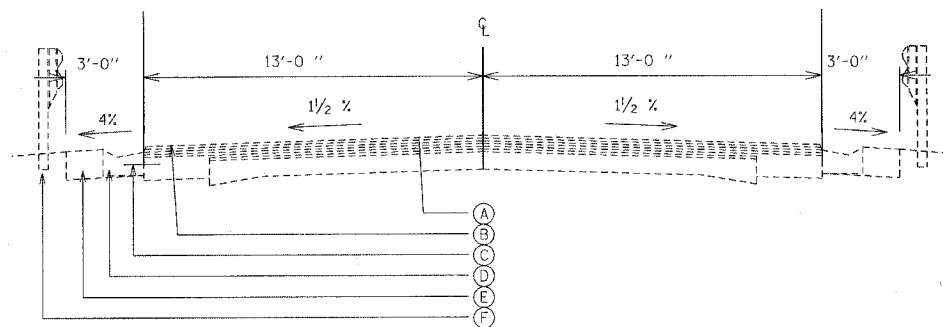
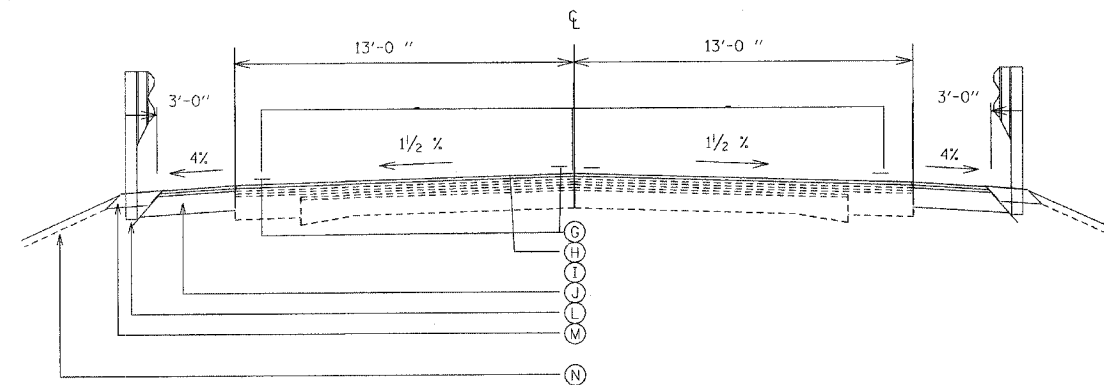


F.A.S. RTE.	SECTION	COUNTY	TOTAL SHEETS	SHEET NO.
2402	(113B-2)I	PEORIA	55	6
STA.		TO STA.		
FED. ROAD DIST. NO.	ILLINOIS	FED. AID PROJECT		



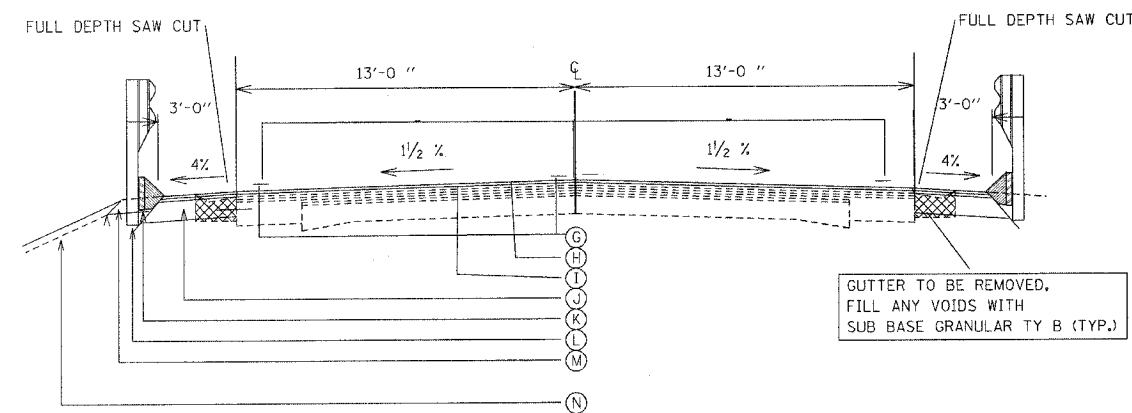
EXISTING TYPICAL SECTION

STA 308+00 TO 310+55.08
 BRIDGE OMMISION: STA 310+55.08 TO STA 312+34.53
 STA 312+34.53 TO STA 310+55.08



PROPOSED TYPICAL SECTION

STA 308+00 TO 310+25.08



PROPOSED TYPICAL SECTION

STA 312+64.53 TO STA 315+30

LEGEND

- (A) EXISTING P.C.C. PAVEMENT AND BITUMINOUS OVERLAYS
- (B) EXISTING BIT. CONC. BSE.CSE. WIDENING AND BIT OVERLAYS
- (C) EXISTING TIE BAR (TYP.)
- (D) EXISTING TYPE B GUTTER (TYP.)
- (E) EXISTING AGGREGATE SHOULDER (TYP.)
- (F) EXISTING STEEL PLATE BEAM GUARDRAIL (TYP.)
- (G) PROPOSED PAVEMENT MARKING - LINE 4" (TYP.) TO BE DONE BY IDOT OPERATIONS
- (H) PROPOSED VARIABLE DEPTH MILLING
- (I) PROPOSED BITUMINOUS CONCRETE SURFACE COURSE, SUPERPAVE, MIXTURE "D", N50, 2 1/4"
- (J) PROPOSED BITUMINOUS BASE COURSE WIDENING - 8" (TYP.)
- (K) PROPOSED EROSION CONTROL CURB
- (L) PROPOSED STEEL PLATE BEAM GUARDRAIL (SEE PLAN SHEET FOR LOCATION AND TYPE)
- (M) PROPOSED GUARDRAIL AGGREGATE EROSION CONTROL - 8" (TYP.)
- (N) PROPOSED FURNISHING AND PLACING TOPSOIL, 4", SEEDING CLASS 3 AND EROSION CONTROL BLANKET

NOTE: COORDINATE PERMANENT PAVEMENT MARKING WITH IDOT OPERATIONS

REVISIONS	
NAME	DATE

ILLINOIS DEPARTMENT OF TRANSPORTATION
TYPICAL SECTIONS
US 150 OVER KICKAPOO CREEK
FAS ROUTE 2402
SEC (113B-2)I
PEORIA COUNTY