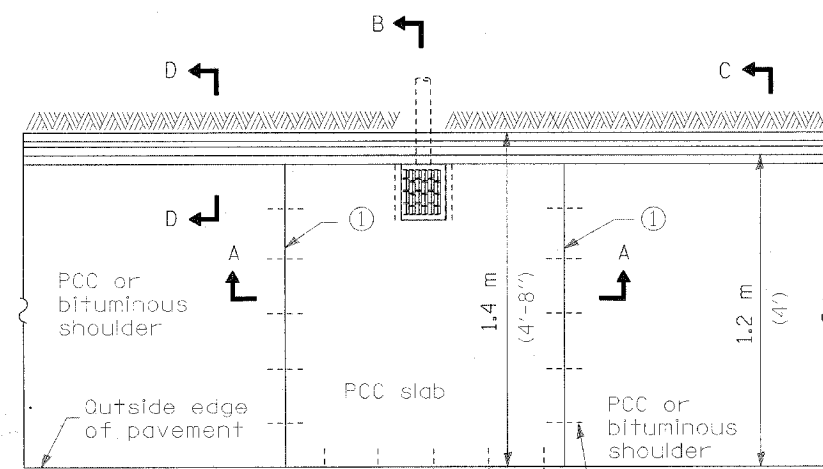


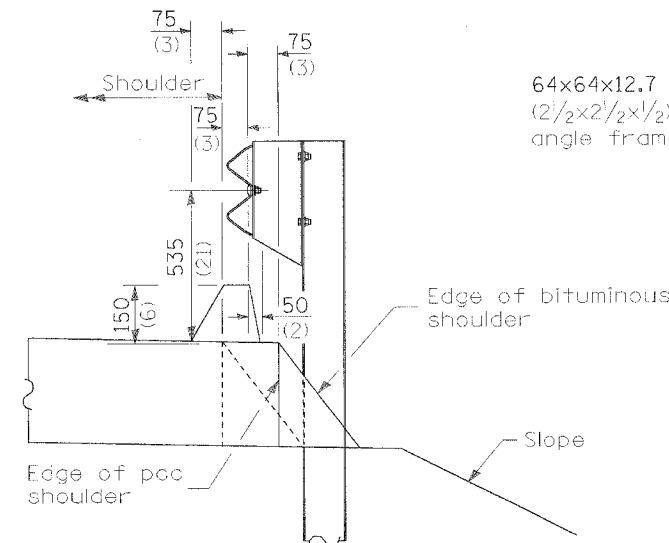
F.A.S. RTE.	SECTION	COUNTY	TOTAL SHEETS	SHEET NO.
2402	(113B-2)I	PEORIA	55	27
STA.		TO STA.		
FED. ROAD DIST. NO.		ILLINOIS		FED. AID PROJECT



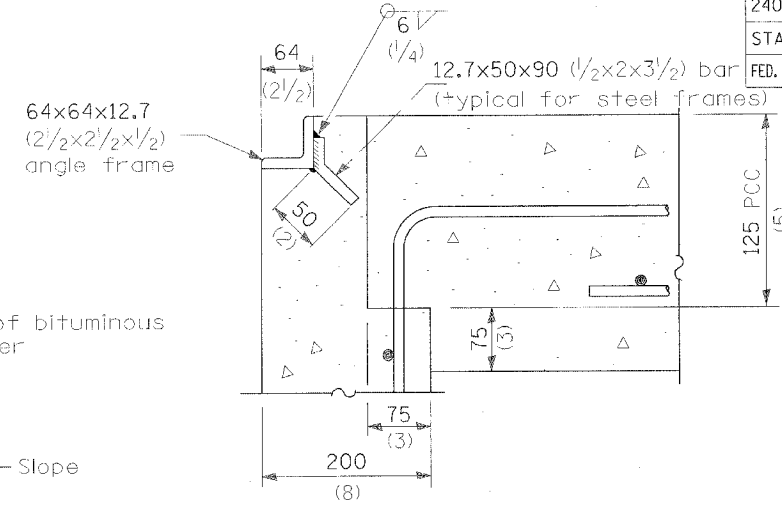
① Joints in prolongation with existing joints in pavements.

No. 20 (No. 6) Tie bars or expansion anchor ties at 600 (24) cts.

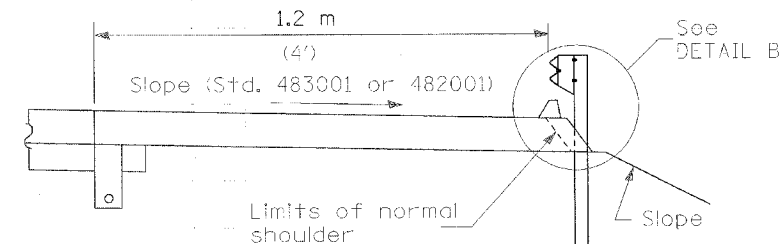
PLAN



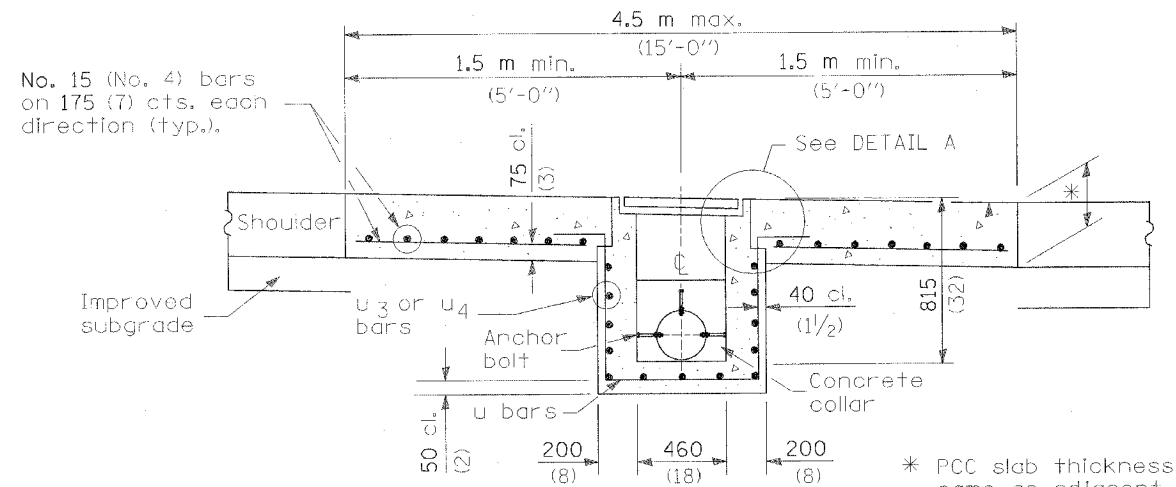
DETAIL B



DETAIL A

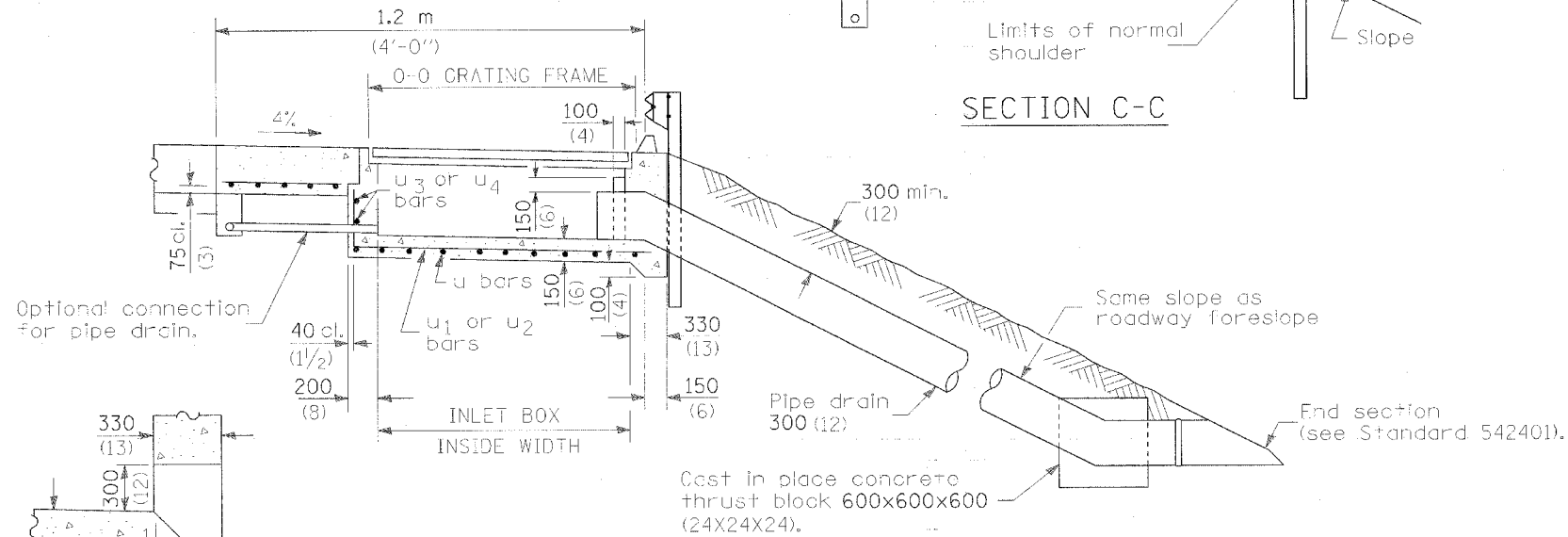


SECTION C-C



SEC. A-A

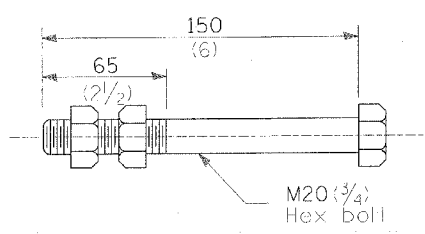
* PCC slab thickness same as adjacent shoulder.



SEC. B-B

BOX OUTLET WHEN PRECAST

Cast in place concrete thrust block 600x600x600 (24X24X24).



ANCHOR BOLT
(Used to tie pipe to concrete collar)

GENERAL NOTES

See Standard 420001 for joint details not shown.

All exposed edges of the inlet, except the upper perimeter, shall be beveled 20 mm (3/4").

For placement of drainage elements on existing construction with existing rigid pavement, substitute expansion anchor ties for tie bars. For nonrigid pavements or monolithic construction of pcc slab and shoulder, omit tie bars.

All dimensions are in millimeters (inches) unless otherwise shown.

INLET TYPE	SHOULDER WIDTH	O-O GRATING FRAME	INLET BOX INSIDE WIDTH	INLET BOX INSIDE LENGTH
Type B	Less than 1.5 m (5')	0.690 m (2'-3")	0.560 m (1'-10")	460 (18)
Type C	1.5 - 1.8 m (5' - 6')	1.325 m (4'-4")	1.195 m (3'-11")	460 (18)
Type D	Greater than 1.8 m (6')	1.960 m (6'-5")	1.830 m (6'-0")	460 (18)

SHOULDER INLET WITH CURB (4' SHLD)