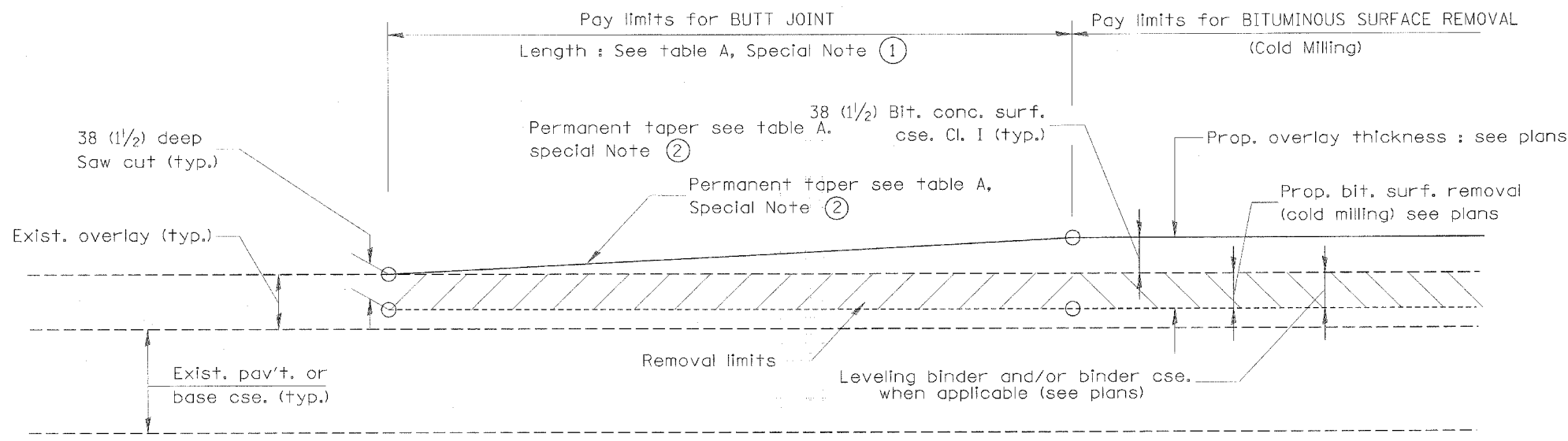


F.A.S. RTE.	SECTION	COUNTY	TOTAL SHEETS	SHEET NO.
2402	(113B-2)I	PEORIA	55	35
STA.		TO STA.		
FED. ROAD DIST. NO.	ILLINOIS	FED. AID PROJECT		



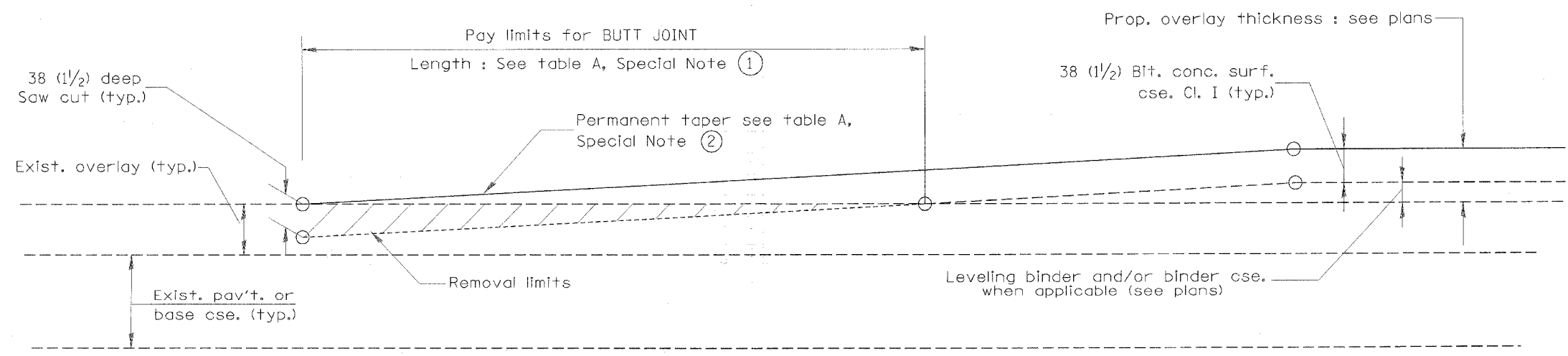
CASE 1 : WITH BITUMINOUS SURFACE REMOVAL (COLD MILLING)

**TABLE A**  
(LENGTHS AND TAPER RATES)

SPECIAL NOTE NUMBER	ELEMENT	MAINLINE INTERSTATES & 4-LANE EXPRESSWAYS	ALL OTHERS
①	LENGTH OF BUTT JOINT	18.0 m(60')	9.0 m(30')
②	PERMANENT TAPER RATE	1:480	1:240
③	TEMPORARY RAMP TAPER RATE	1:80	1:40
④	TEMPORARY RAMP LENGTH	3.0 m(10')	1.5 m(5')
⑤	LENGTH OF BUTT JOINT	3.0 m(10')	3.0 m(10')

**GENERAL NOTES**

1. The work shall be done in accordance with Article 406.18 and the Special Provision for Butt Joints.
2. The pavement surface to be removed may be either bituminous or P.C. concrete. The work shall be performed in accordance with Article 440.03 and the Special Provisions for Butt Joints.
3. The saw cut joints shall be primed just prior to the placing of bituminous material. The work will be in accordance with the applicable portions of Article 406.06.



CASE 2 : NO BITUMINOUS SURFACE REMOVAL (COLD MILLING)

All dimensions are in millimeters (inches) unless otherwise noted.

ILLINOIS DEPARTMENT OF TRANSPORTATION  
DISTRICT CADD STANDARD

DATE	REVISIONS	BY
1-1-97	RENUM. C-23.01, NEW REVISION BOX	T.P.
4-1-97	CORRECTION TO DEPTH	J.A.
9-15-05	REVISED DESIGNER NOTE	M.M.A.

**BUTT JOINTS**

CADD STD NO. 406101-D4 SHEET 1 OF 3  
SCALE: NOT DRAWN TO SCALE DRAWN BY CADD  
DATE \*\*DATE\*\* CHECKED BY

406101-D4 (1)

DATE