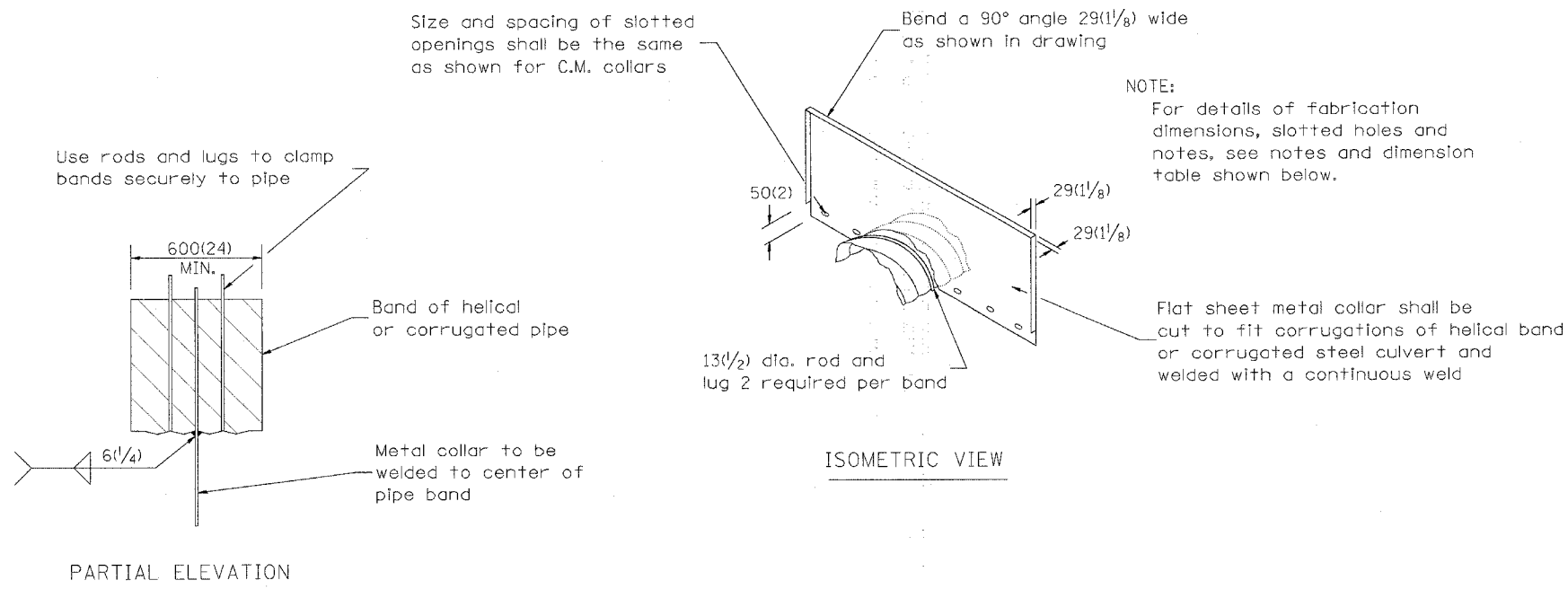


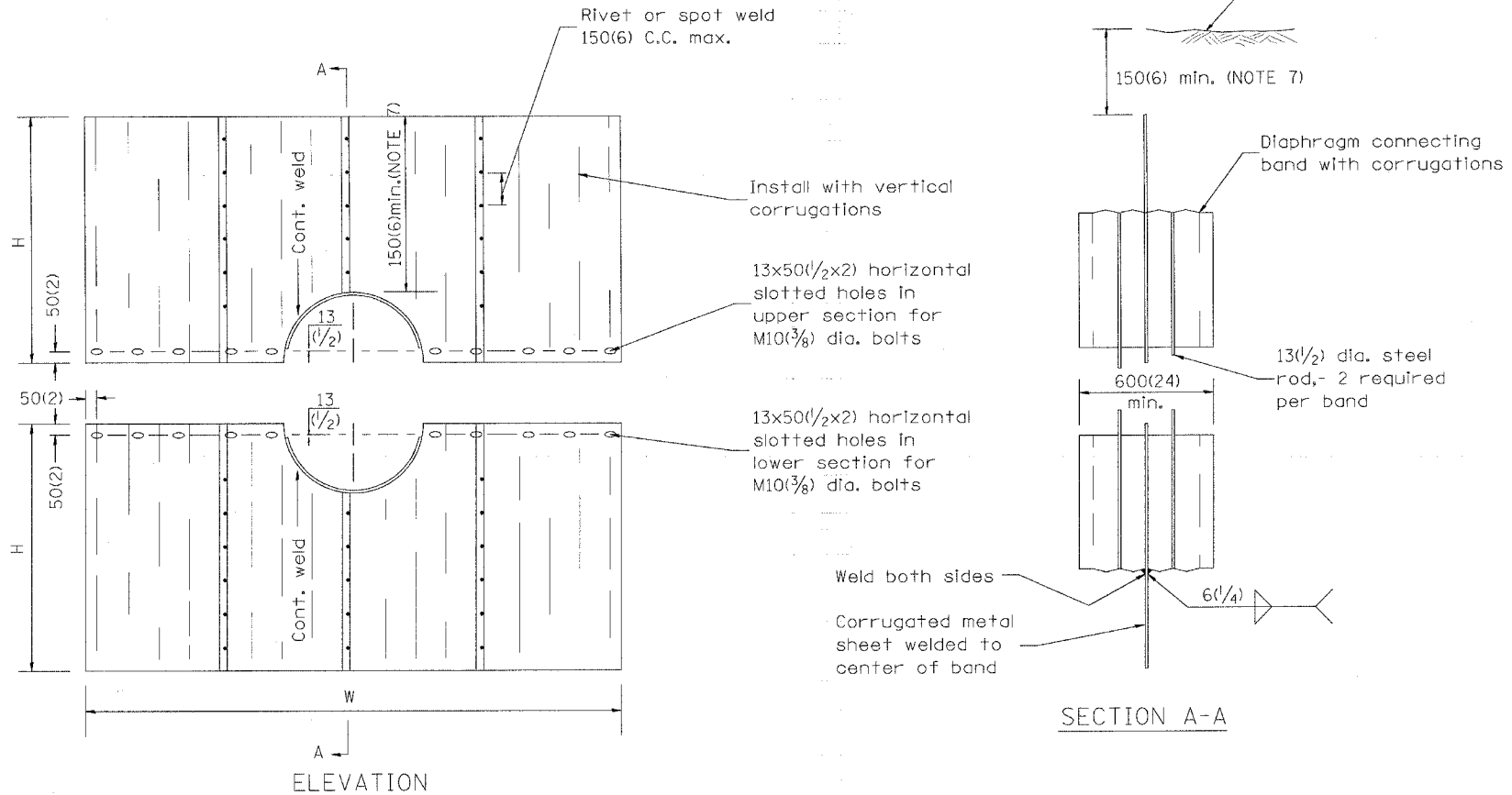
F.A.S. RTE.:	SECTION	COUNTY	TOTAL SHEETS	SHEET NO.
2402	(113B-2)I	PEORIA	55	42
STA.	TO STA.			
FED. ROAD DIST. NO.	ILLINOIS	FED. AID PROJECT		



DETAILS OF CORRUGATED PIPE COLLAR

NOTES FOR COLLARS:

1. Materials and coatings for all collars shall be the same as that specified for the pipe.
2. Collars shall be shop fabricated, assembled and marked by painting to identify matching half sections of each collar.
3. The laps between the half sections and between the pipe and connecting bands shall be caulked with fiberized asphalt mastic at the time of installation.
4. All tank lugs, rods, and nuts shall be galvanized steel. Where aluminum collars are used, The rods and lugs shall be separated from the aluminum bands. By at least two (2) layers of 50(2) wide plastic tape with a total thickness of 2/4 mils or more.
5. The collars shall be welded to the connecting bands as shown on the drawings, all welds shall be treated as specified for class I, II, and III welds, miscellaneous. (Refer to AWS Standard Specifications)
6. Bands shall be fabricated from material having the same class of corrugations as the pipe to which it is to be attached.
7. Upper half of sheet may be cut shorter to provide 150(6) min. earth cover.



SEEPAGE COLLAR DIMENSION TABLE

PIPE DIAMETER	NOMINAL COLLAR SIZE	FABRICATIONS DIMENSIONS	
		W(WIDTH)	H(HEIGHT)
300(12) 375(15), 450(18) 525(21), 600(24)	2.4m x 1.8m (8' x 6')	2.44m (8'-0")	966(38)
675(27) 750(30)	2.4m x 2.1m (8' x 7')	2.44m (8'-0")	1.12m (3'-8")
900(36), 1050(42) 1200(48)	3.0m x 2.1m (10' x 7')	3.05m (10'-0")	1.12m (3'-8")

Collar dimensions shown may be increased to allow fabrication from standard size sheets.

All dimensions are in millimeters (inches) unless otherwise noted.

DETAILS OF SEEPAGE COLLAR

SEEPAGE COLLAR SPACING	
Less than 600(24) pipe:	30m (100') spacing or midpoint
Equal to or greater than 600(24) pipe:	24m (80') spacing or midpoint

DATE	REVISIONS	BY
1-1-97	RENUM. J-10.02, NEW REVISION BOX, REVISED TITLE BOX, REVISED DESIGNER NOTES	T.P.

ILLINOIS DEPARTMENT OF TRANSPORTATION
DISTRICT CADD STANDARD

DETAILS OF SEEPAGE COLLARS FOR BURIED PIPES

CADD STD. NO. 601401-D4
SCALE: NOT DRAWN TO SCALE
DRAWN BY: CADD
CHECKED BY:

DATE: **DATE**

DATE