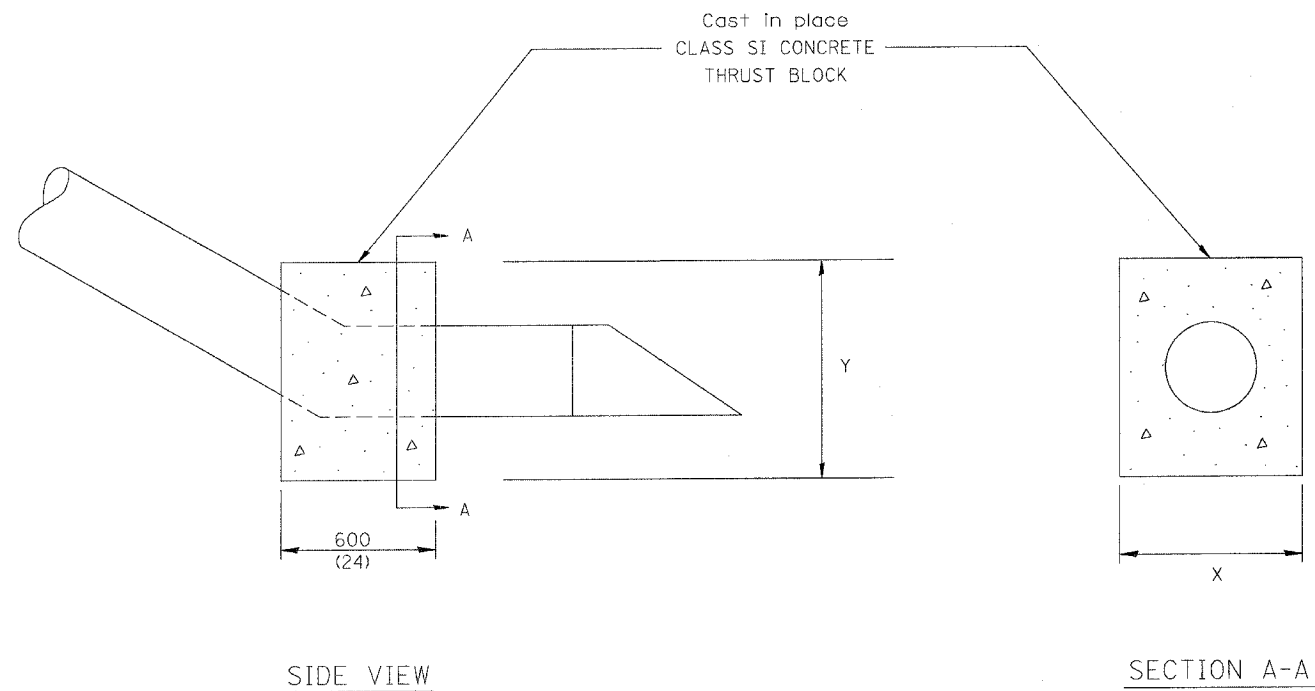


F.A.S. RTE.	SECTION	COUNTY	TOTAL SHEETS	SHEET NO.
2402	(113B-2)1	PEORIA	55	43
STA.		TO STA.		
FED. ROAD DIST. NO.		ILLINOIS	FED. AID PROJECT	

### CONCRETE THRUST BLOCK BILL OF MATERIALS

PIPE SIZE	X	Y	CLASS SI CONCRETE m <sup>3</sup> (cu. yd.)
300(12)	600(24)	600(24)	0.2(0.2)
375(15)	675(27)	675(27)	0.2(0.3)
450(18)	750(30)	750(30)	0.2(0.3)
600(24)	900(36)	900(36)	0.3(0.4)
750(30)	1.07m (3'-6")	1.07m (3'-6")	0.6(0.8)



The contract unit price each for CONCRETE THRUST BLOCK shall include the cost of excavation, CLASS SI CONCRETE and compacted backfill.

All dimensions are in millimeters (inches) unless otherwise noted.

ILLINOIS DEPARTMENT OF TRANSPORTATION  
DISTRICT CADD STANDARD

CONCRETE THRUST BLOCKS

CADD STD. NO. 609001-D4  
SCALE: NOT DRAWN TO SCALE  
DATE \*\*DATE\*\*

DRAWN BY: CADD  
CHECKED BY:

609001-D4

DATE	REVISIONS	BY
1-1-97	RENUM. J-10.04, NEW REVISION BOX, ADDED QUANTITY CALCULATION BOX.	I.P.

QUANTITIES	
CALC. BY: _____	DATE: _____
CHECKED BY: _____	DATE: _____
QUANTITY CALCULATIONS ARE ON FILE AT THE DISTRICT 4 OFFICE, BUREAU OF PROJECT IMPLEMENTATION, DOCUMENTATION SECTION	