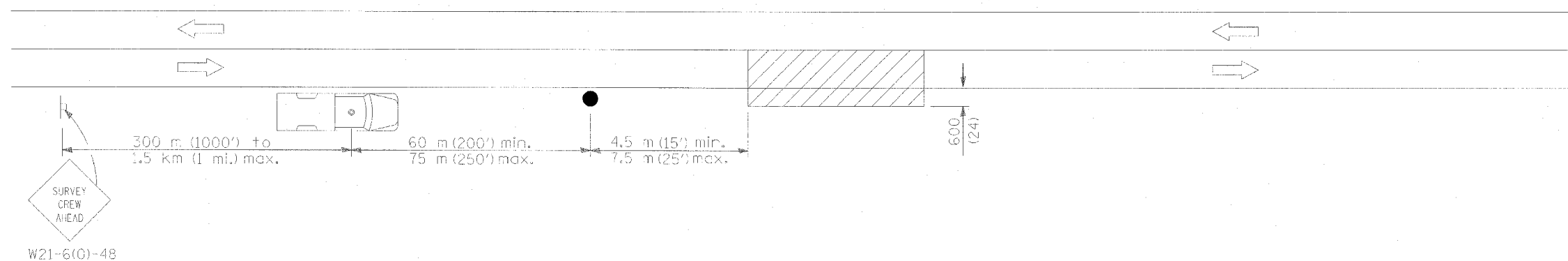


F.A.P. RT#	SECTION	COUNTY	TOTAL SHEETS	SHEET NO.
315	55-2	MCDONOUGH	1025	434
STA.		TO STA.		
FED. ROAD DIST. NO. 4		ILLINOIS FED. AID PROJECT		



SYMBOLS



Work area



Sign on portable or permanent support



Truck with flashing amber light and dual emergency flashers



Flagger with traffic control sign

TYPICAL APPLICATIONS

Utility operations

All dimensions are in millimeters (inches) unless otherwise shown.

REVISIONS	
NAME	DATE

ILLINOIS DEPARTMENT OF TRANSPORTATION

LIGHTING DETAILS
NIGHTTIME LIGHTING INSPECTION
IL. ROUTE 336

DATE 3/30/06

DRAWN BY
CHECKED BY