

STATE OF ILLINOIS
DEPARTMENT OF TRANSPORTATION

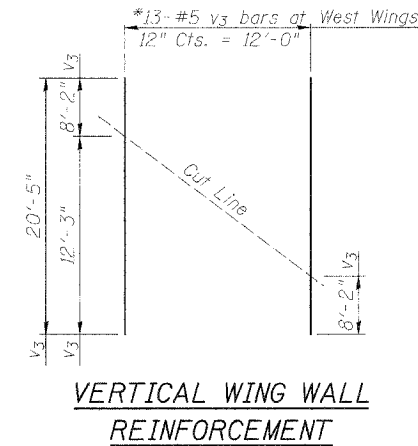
ROUTE NO.	SECTION	COUNTY	TOTAL SHEETS	SHEET NO.
F.A.P. 315	55-2	MCDONOUGH	102.5	452
FED. ROAD DIST. NO. 4	BUILDING	FED. AID PROJECT		

SHEET NO. 4
8 SHEETS

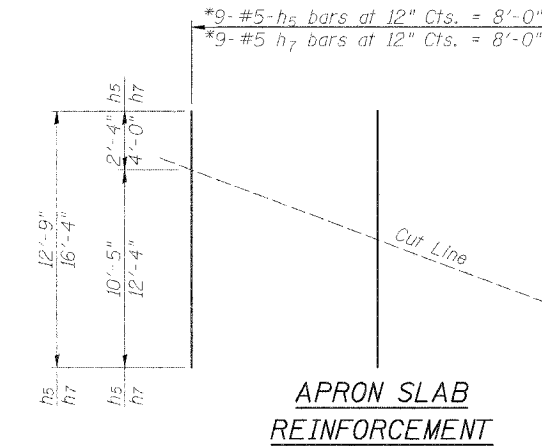
Contract No. 68205

BILL OF MATERIAL

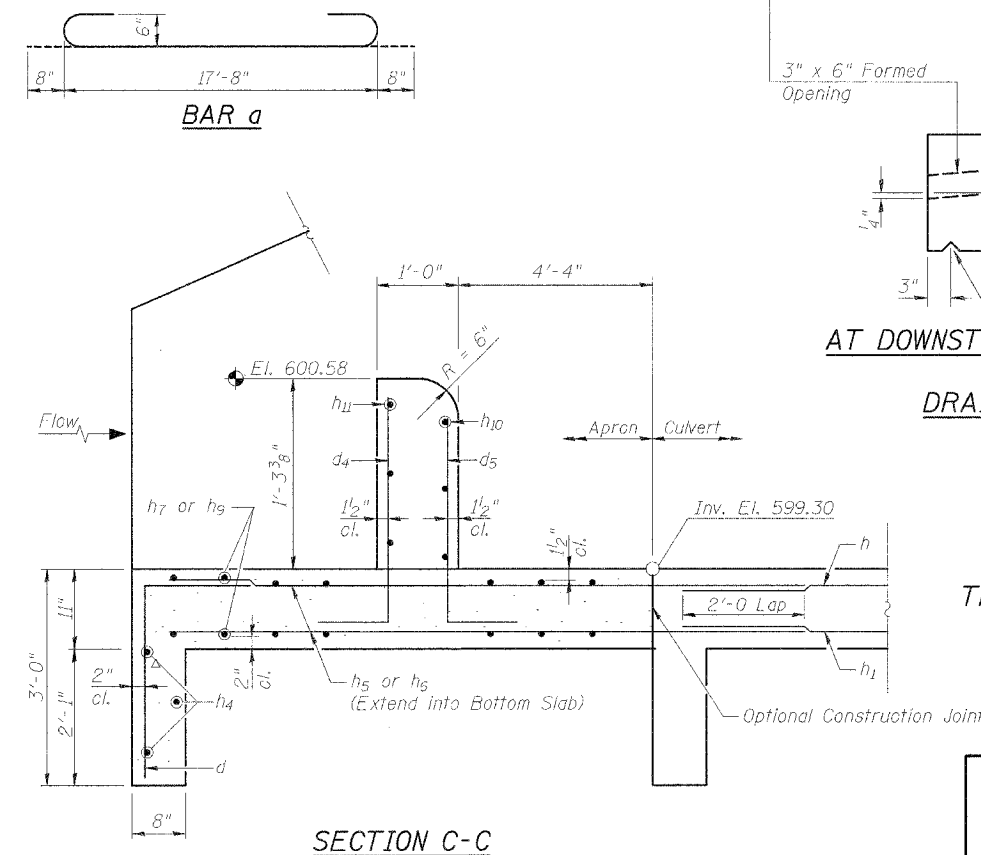
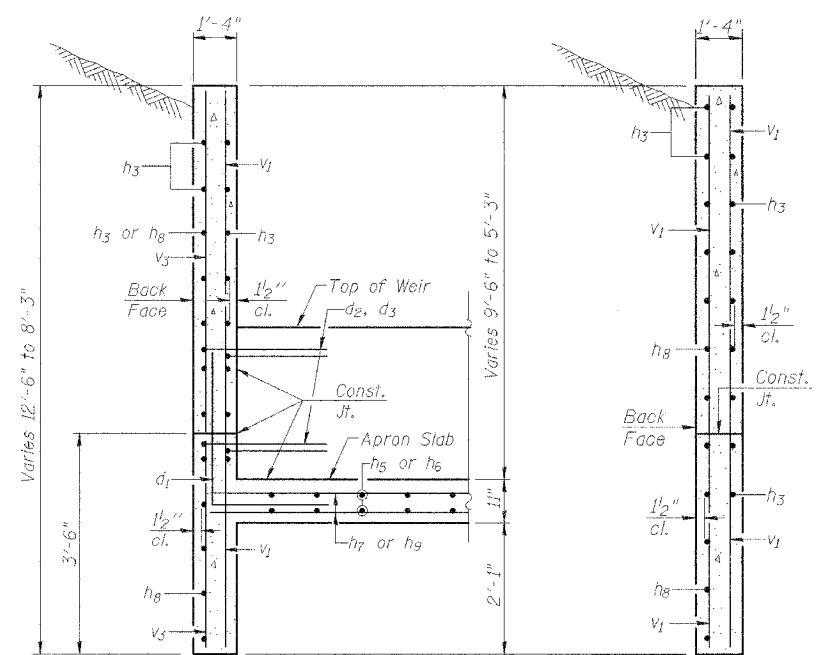
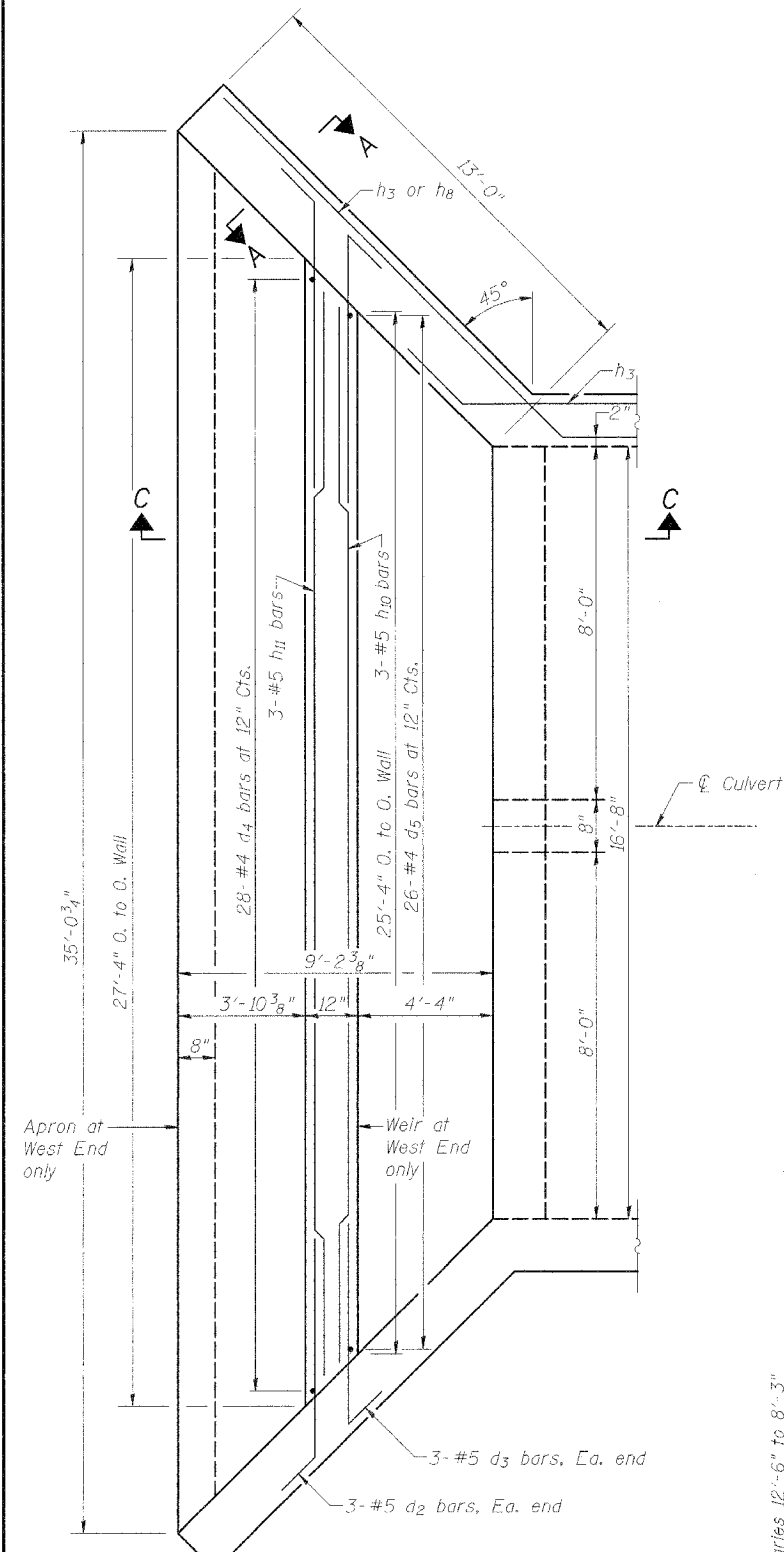
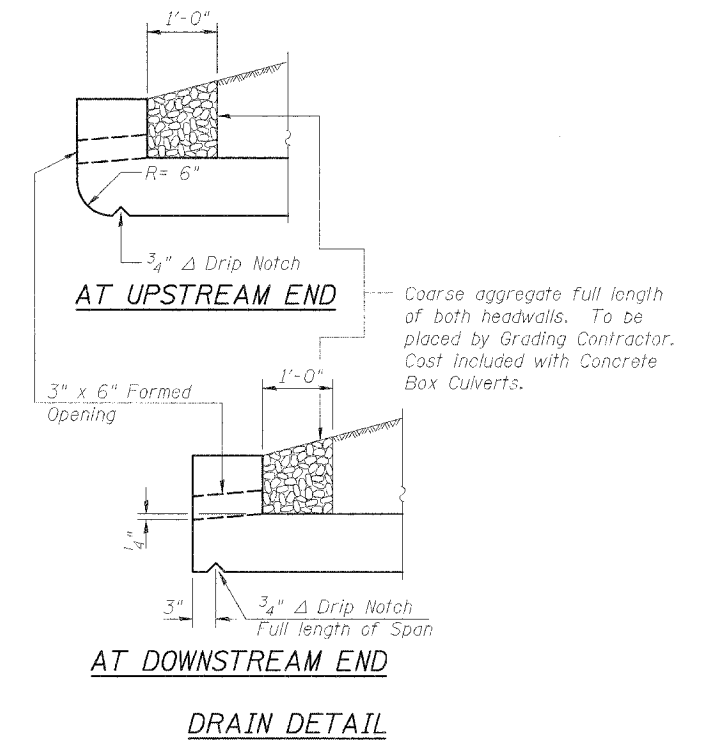
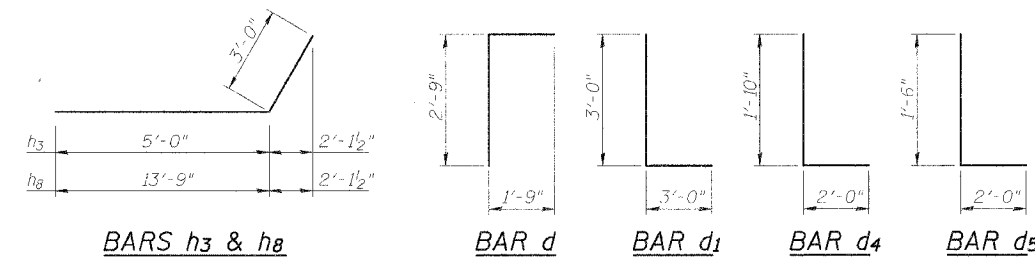
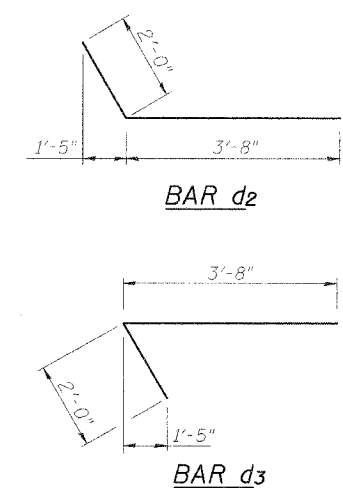
Bar	No.	Size	Length	Shape
a	170	#6	19'-0"	U
a ₁	204	#7	6'-6"	—
a ₂	172	#4	7'-7"	—
d	68	#4	4'-6"	L
d ₁	26	#5	6'-0"	L
d ₂	6	#5	5'-8"	L
d ₃	6	#5	5'-8"	L
d ₄	28	#4	3'-10"	L
d ₅	26	#4	3'-6"	L
h	108	#5	29'-4"	—
h ₁	144	#5	22'-5"	—
h ₂	72	#6	29'-7"	—
h ₃	48	#9	8'-0"	—
h ₄	24	#6	18'-8"	—
h ₅	18	#5	16'-9"	—
h ₆	32	#5	11'-0"	—
h ₇	18	#5	16'-4"	—
h ₈	36	#9	16'-9"	—
h ₉	18	#5	16'-8"	—
h ₁₀	3	#5	25'-4"	—
h ₁₁	3	#5	26'-8"	—
v	208	#6	9'-6"	—
v ₁	12	#4	12'-3"	—
v ₂	146	#7	9'-6"	—
v ₃	13	#5	20'-5"	—
Concrete Box Culverts		Cu. Yd.	193.7	
Rock Fill Foundation		Cu. Yd.	377	
Reinforcement Bars		Pound	30,470	



*Order v₃ bars full length. Cut as shown.
Use remainder of bars in opposite wing, west side.



*Order h₅ and h₇ bars full length. Cut as shown.
Use remainder of bars in opposite face of slab.
Two thus



DESIGNED	LLV
CHECKED	PJL
DRAWN	MGM
CHECKED	LLV

REINFORCEMENT BARS AND SECTION DETAILS
TWP. ROAD 226 OVER TRIBUTARY TO KILLJORDAN CREEK
IL. ROUTE 336
F.A.P. ROUTE 315 SECT. 55-2
MCDONOUGH COUNTY
STATION 104+35.44
STRUCTURE NO. 055-2502

STS CONSULTANTS
111 NE Jefferson Ave.
Peoria, Illinois 61602
Ph.(309)676-8464
FAX(309)676-5445
IL Design Firm Reg. No. 184-001518