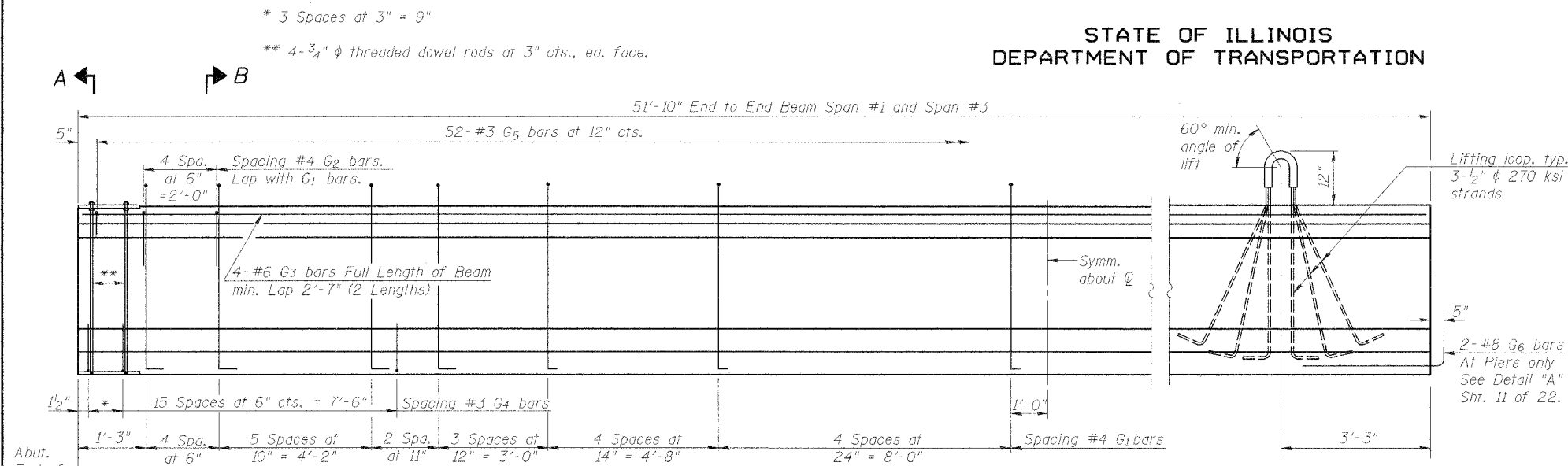


STATE OF ILLINOIS
DEPARTMENT OF TRANSPORTATION

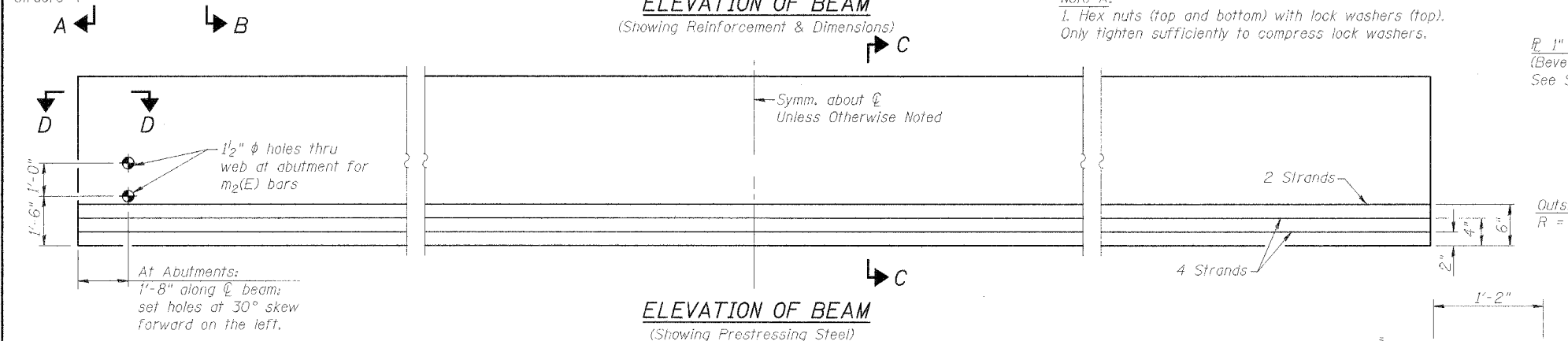
ROUTE NO.	SECTION	COUNTY	TOTAL SHEETS	SHEET NO.	SHEET NO. 10
F.A.P. 315	55-2	MCDONOUGH	1025	498	22 SHEETS
FED. ROAD DIST. NO. 4	ILLINOIS	FED. AID PROJECT			

Contract No. 68205

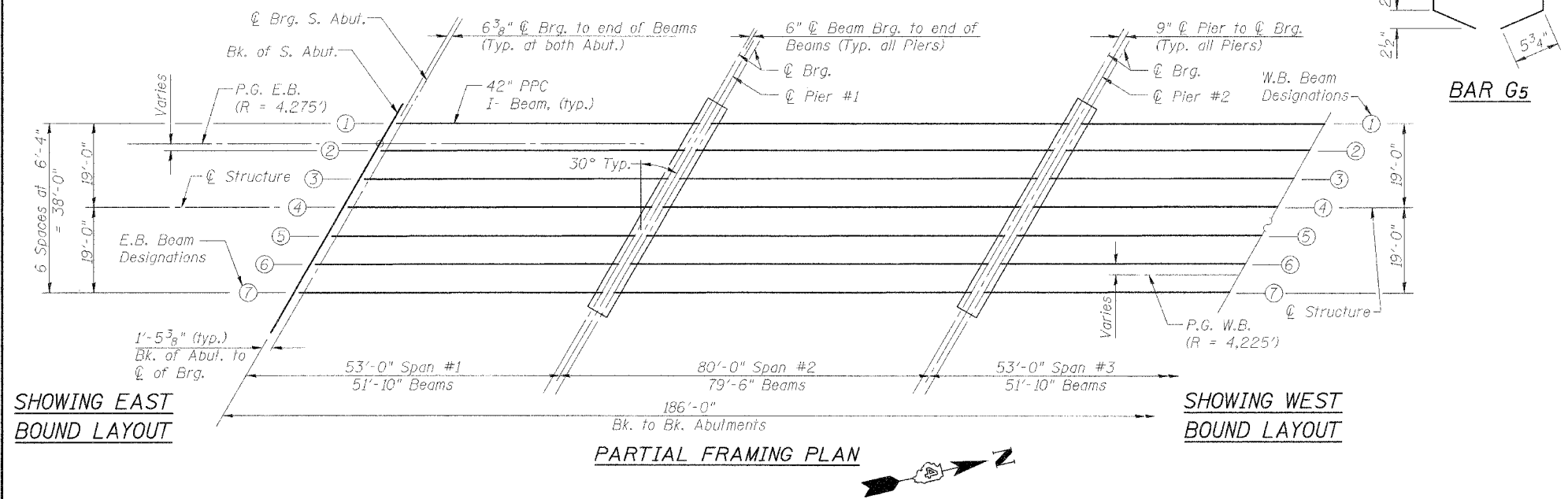


ELEVATION OF BEAM
(Showing Reinforcement & Dimensions)

Note A:
1. Hex nuts (top and bottom) with lock washers (top).
Only tighten sufficiently to compress lock washers.



ELEVATION OF BEAM
(Showing Prestressing Steel)



SHOWING EAST
BOUND LAYOUT

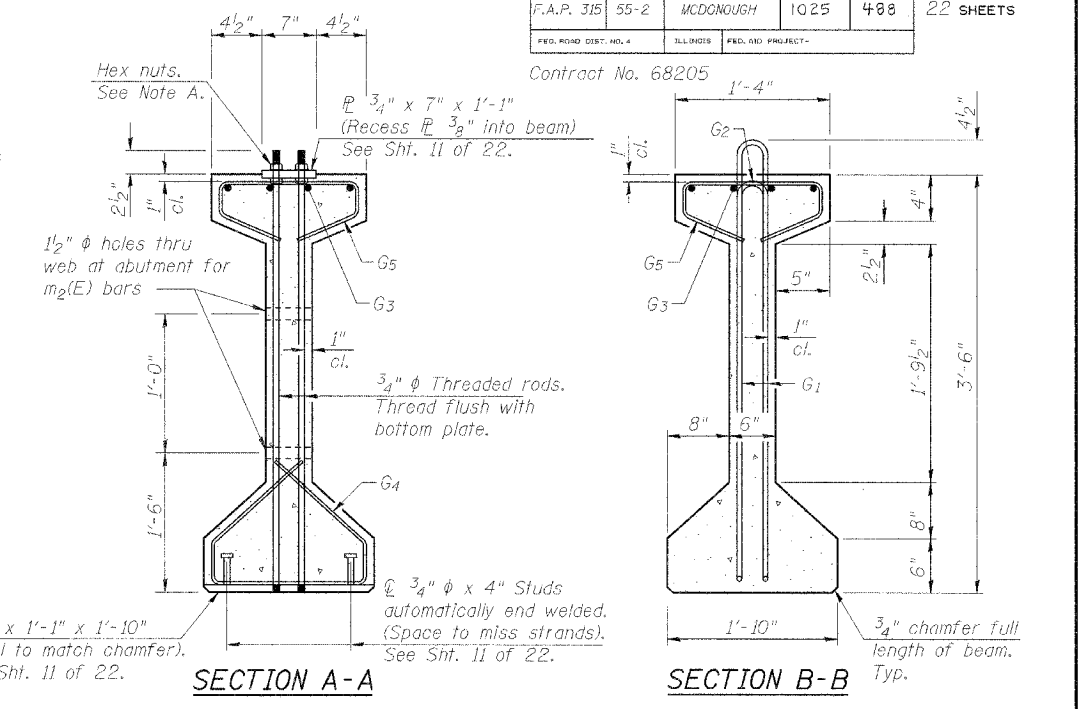
SHOWING WEST
BOUND LAYOUT

PARTIAL FRAMING PLAN

DESIGNED	PJL
CHECKED	LLV
DRAWN	MGM
CHECKED	PJL

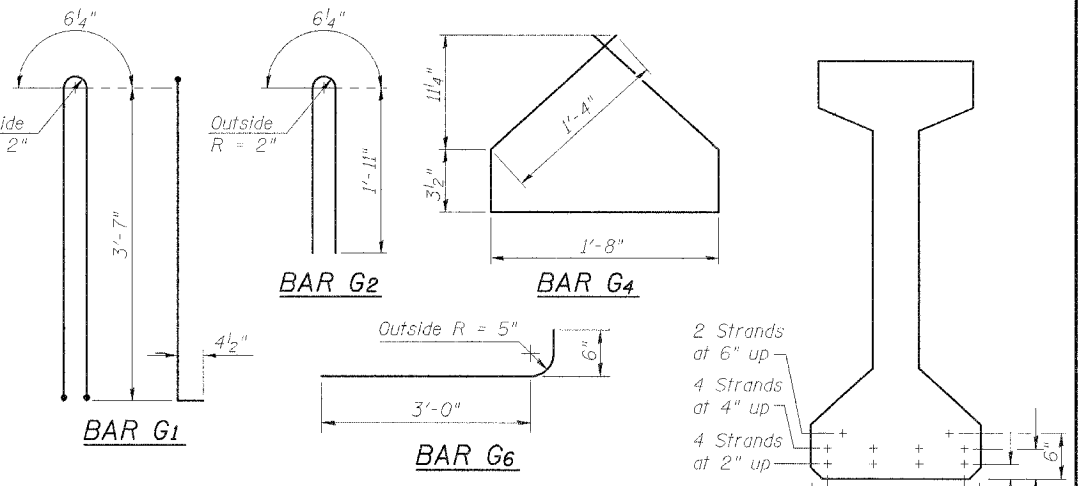
BILL OF MATERIAL
SPAN #1 AND SPAN #3
Two Bridges

Item	Unit	Total
Furnishing and Erecting Precast Prestressed Concrete I-Beams, 42"	Ft.	1,451



SECTION A-A

SECTION B-B



BAR LIST, ONE BEAM ONLY

Bar	No.	Size	Length	Shape
G1	46	#4	8'-5"	U
G2	10	#4	4'-4"	U
G3	8	#6	27'-1"	U
G4	38	#3	4'-11"	U
G5	52	#3	2'-6"	U
G6	2	#8	3'-9"	U

CROSS REFERENCE NOTES

1.) See Sht. 11 of 22 for: Moment and Reaction Tables, Detail "A" at Pier, & Typical Lifting Loop Detail, P.P.C. I-Beam Notes and Top & Bottom End Plate Details.

FRAMING PLAN AND SPAN #1 AND SPAN #3 GIRDER DETAILS
IL. ROUTE 336 OVER TRIBUTARY TO KILLJORDAN CREEK
F.A.P. ROUTE 315 SECT. 55-2
MCDONOUGH COUNTY
STATION 494+75.00
STRUCTURE NO. 055-0060 (EB)
STRUCTURE NO. 055-0061 (WB)

STS CONSULTANTS
111 NE Jefferson Ave.
Peoria, Illinois 61602
Ph (309) 676-8464
FAX (309) 676-5445
IL Design Firm Reg. No. 184-001518