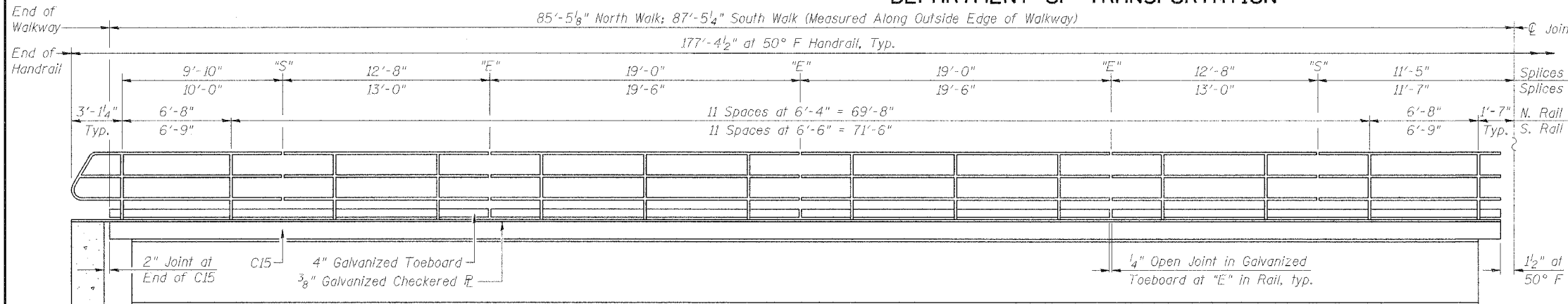


STATE OF ILLINOIS
DEPARTMENT OF TRANSPORTATION

PROJECT NO.	SECTION	COUNTY	TOTAL SHEETS	SHEET	SHEET NO.
F.A.P. 315	55-2	McDONOUGH	1025	520	19 SHEETS
FED. ROAD DIST. NO. 4		ILLINOIS	FED. AID PROJECT-		

Contract # 68205

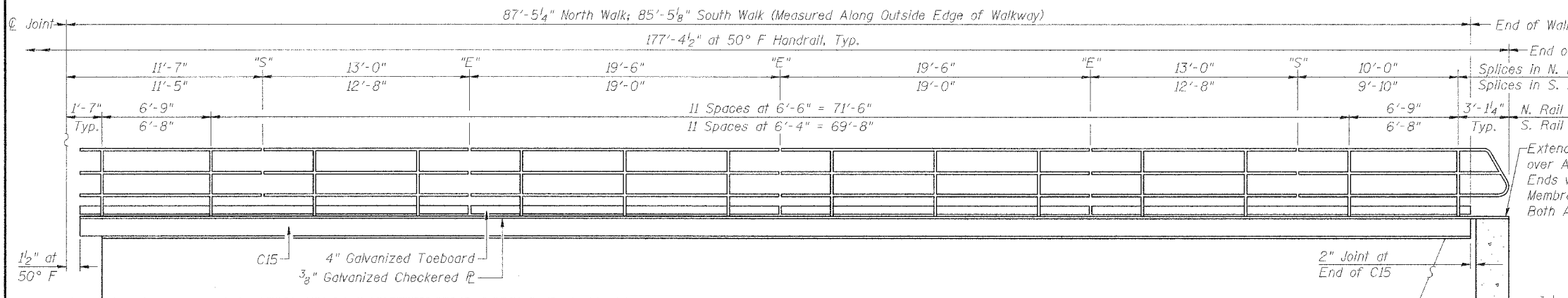


HANDRAIL ELEVATION - SPAN 1
(Looking North)

Galvanized Toeboard is included in cost of Pipe Handrail, Special. See also Special Provisions.

WEST ABUTMENT

PIER



HANDRAIL ELEVATION - SPAN 2
(Looking North)

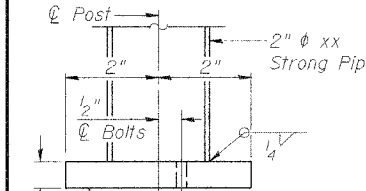
Galvanized Toeboard is included in cost of Pipe Handrail, Special. See also Special Provisions.

PIER

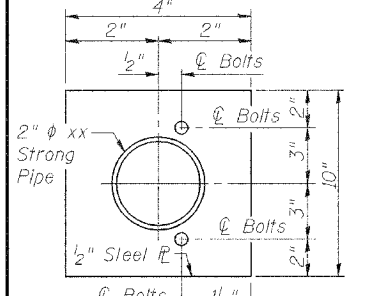
EAST ABUTMENT

BILL OF MATERIAL

ITEM	UNIT	TOTAL
Pipe Handrail, Special	Foot	355



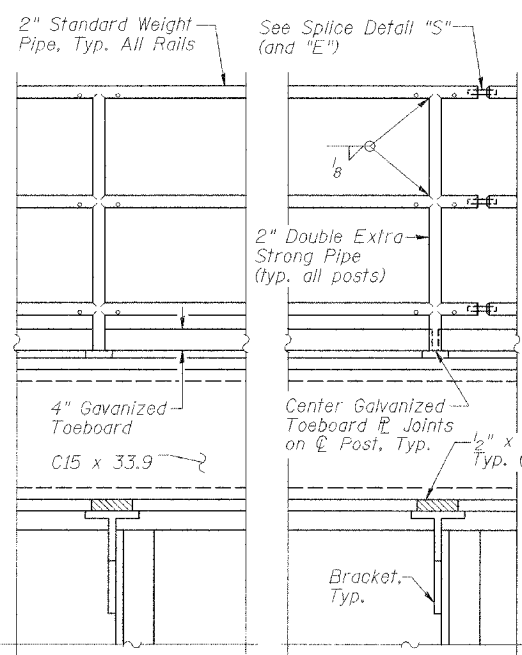
SIDE VIEW



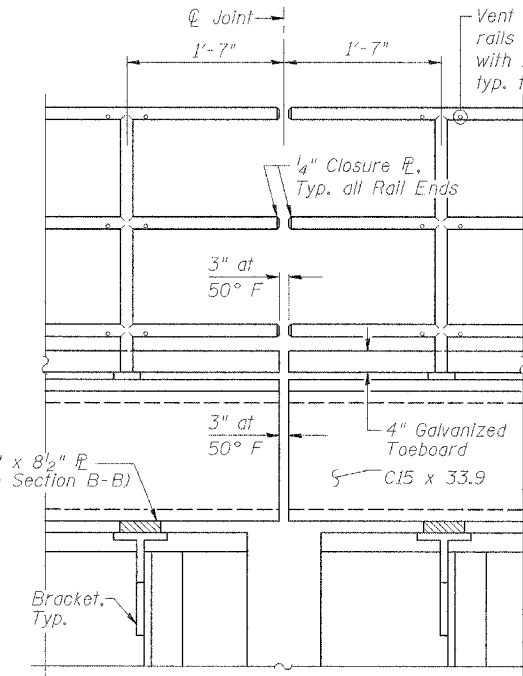
TOP VIEW

BASE PLATE DETAIL

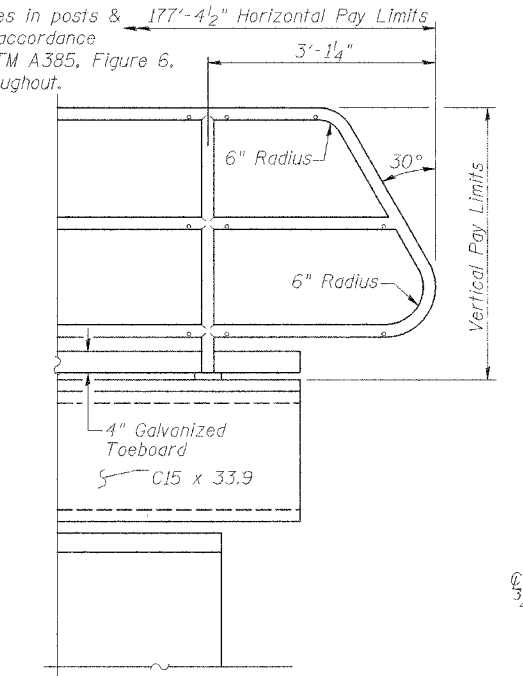
DESIGNED	PJL
CHECKED	WDL
DRAWN	MGM
CHECKED	PJL



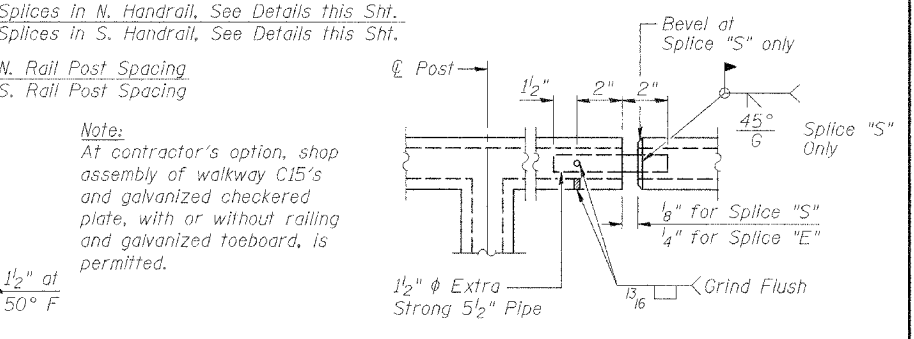
TYPICAL SECTION



AT PIER

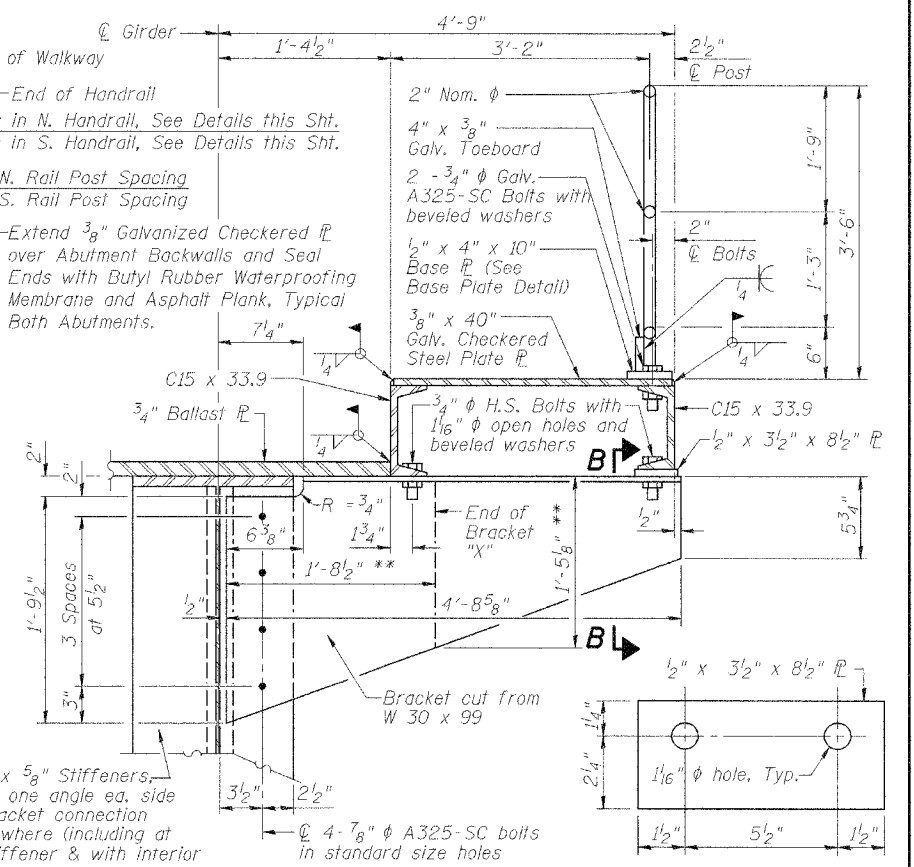


END POST



SPLICE DETAIL "S"

Expansion Detail "E" same except as noted.



WALKWAY BRACKET DETAIL
** Bracket "X" Only

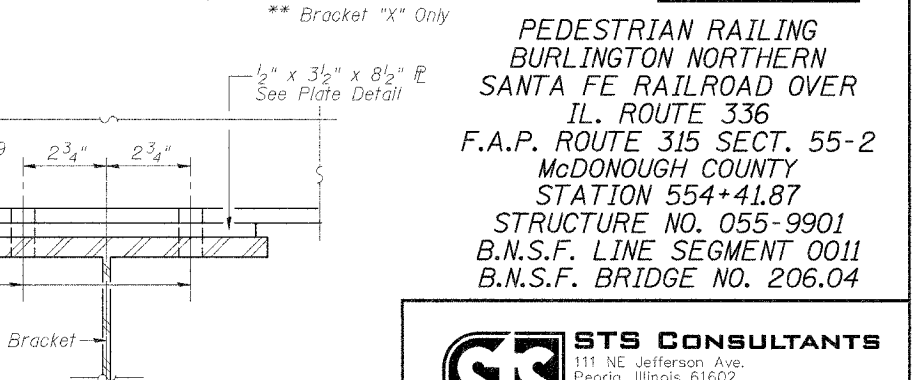


PLATE DETAIL

PEDESTRIAN RAILING
BURLINGTON NORTHERN
SANTA FE RAILROAD OVER
IL. ROUTE 336
F.A.P. ROUTE 315 SECT. 55-2
McDONOUGH COUNTY
STATION 554+41.87
STRUCTURE NO. 055-9901
B.N.S.F. LINE SEGMENT 0011
B.N.S.F. BRIDGE NO. 206.04

STS CONSULTANTS
111 NE Jefferson Ave.
Peoria, Illinois 61602
Ph (309) 676-8464
FAX (309) 676-5445
IL Design Firm Reg. No. 224-001522