

STATE OF ILLINOIS
DEPARTMENT OF TRANSPORTATION

ROUTE NO.	SECTION	COUNTY	TOTAL SHEETS	SHEET NO.
F.A.P. 315	55-2	McDONOUGH	1025	19
FED. ROAD DIST. NO. 4		ILLINOIS	FED. AID PROJECT	

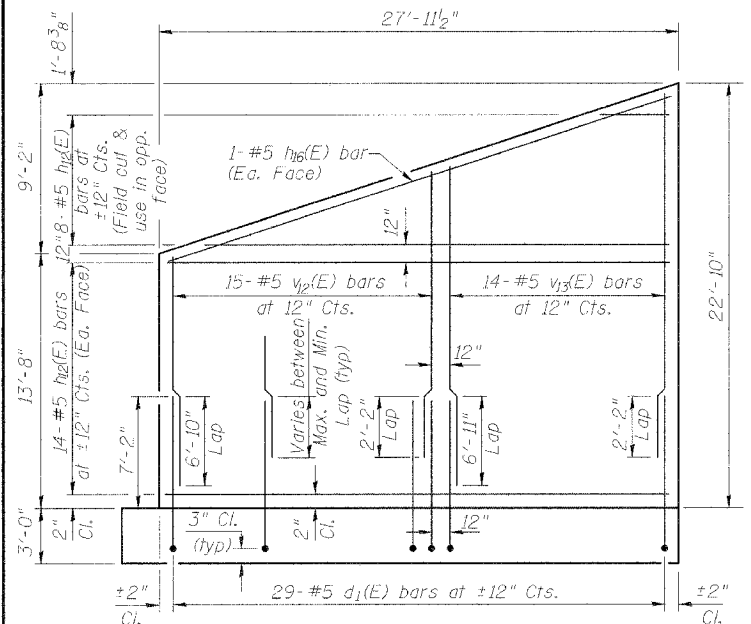
Contract # 68205

ABUTMENT BILL OF MATERIAL

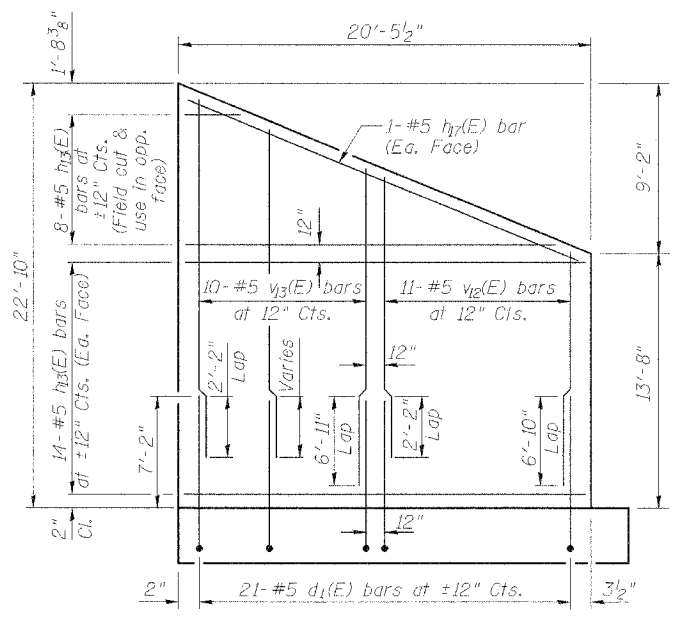
Bar	No.	Size	Length	Shape
d(E)	88	#8	12'-8"	L
d ₁ (E)	50	#5	11'-6"	L
d ₂ (E)	91	#9	11'-0"	L
h ₄ (E)	14	#6	15'-8"	—
h ₅ (E)	1	#6	3'-11"	—
h ₆ (E)	1	#6	5'-7"	—
h ₇ (E)	1	#6	4'-7"	—
h ₈ (E)	1	#6	5'-8"	—
h ₉ (E)	23	#6	22'-8"	—
h ₁₀ (E)	23	#6	25'-3"	—
h ₁₁ (E)	23	#6	19'-1"	—
h ₁₂ (E)	36	#5	27'-8"	—
h ₁₃ (E)	36	#5	20'-2"	—
h ₁₄ (E)	2	#5	29'-1"	—
h ₁₇ (E)	2	#5	22'-1"	—
p(E)	7	#8	15'-8"	—
s ₁ (E)	28	#5	10'-8"	□
s ₂ (E)	16	#5	10'-7"	□
t ₂ (E)	28	#8	28'-1"	—
t ₄ (E)	25	#8	27'-2"	—
t ₅ (E)	48	#8	16'-6"	—
t ₆ (E)	19	#8	8'-1"	—
t ₁₀ (E)	15	#8	21'-10"	—
t ₁₁ (E)	17	#8	29'-4"	—
t ₁₂ (E)	10	#8	26'-4"	—
t ₁₃ (E)	7	#8	25'-10"	—
v ₇ (E)	43	#9	14'-9"	—
v ₈ (E)	27	#7	12'-6"	—
v ₉ (E)	17	#6	11'-8"	—
v ₁₀ (E)	17	#8	16'-3"	—
v ₁₁ (E)	20	#8	19'-3"	—
v ₁₂ (E)	26	#5	13'-2"	—
v ₁₃ (E)	24	#5	17'-9"	—
v ₁₄ (E)	133	#9	13'-7"	—
w ₁ (E)	63	#8	24'-2"	—
w ₆ (E)	16	#8	34'-6"	—
w ₇ (E)	10	#8	32'-6"	—
w ₈ (E)	8	#8	44'-6"	—
w ₉ (E)	4	#8	22'-0"	—
Concrete Structures	Cu. Yd.	257.6		
Reinforcement Bars, Epoxy Coated	Pound	41,610		
Structure Excavation	Cu. Yd.	1,428		
Furnishing Steel Piles, HP 14 x 13	Foot	2,850		
Driving Steel Piles	Foot	2,850		
Test Piles, HP 14 x 13	Each	1		
Metal Shoes	Each	50		

Reinforcement bars designated (E) shall be epoxy coated

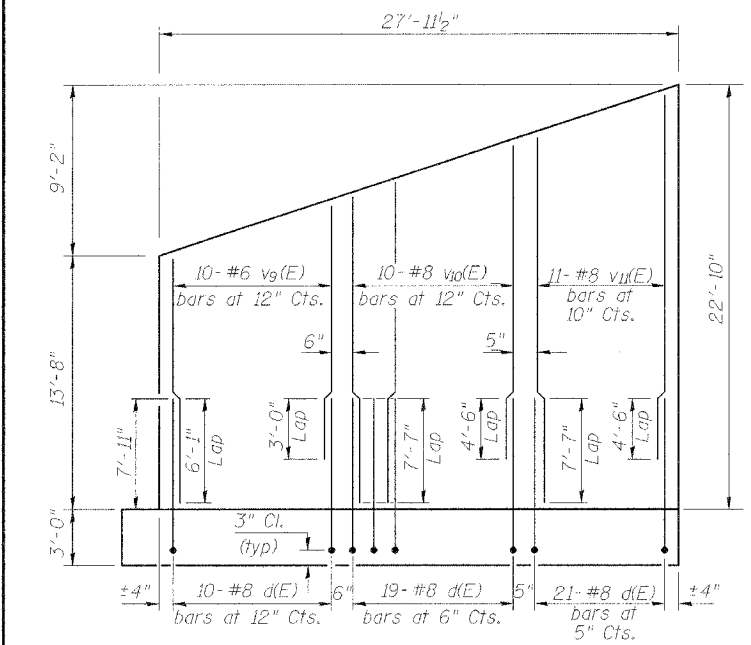
EAST ABUTMENT AND WING WALL REINFORCEMENT
BURLINGTON NORTHERN SANTA FE RAILROAD OVER ILL. ROUTE 336
F.A.P. ROUTE 315 SECT. 55-2
McDONOUGH COUNTY STATION 554+41.87
STRUCTURE NO. 055-9901
B.N.S.F. LINE SEGMENT 0011
B.N.S.F. BRIDGE NO. 206.04



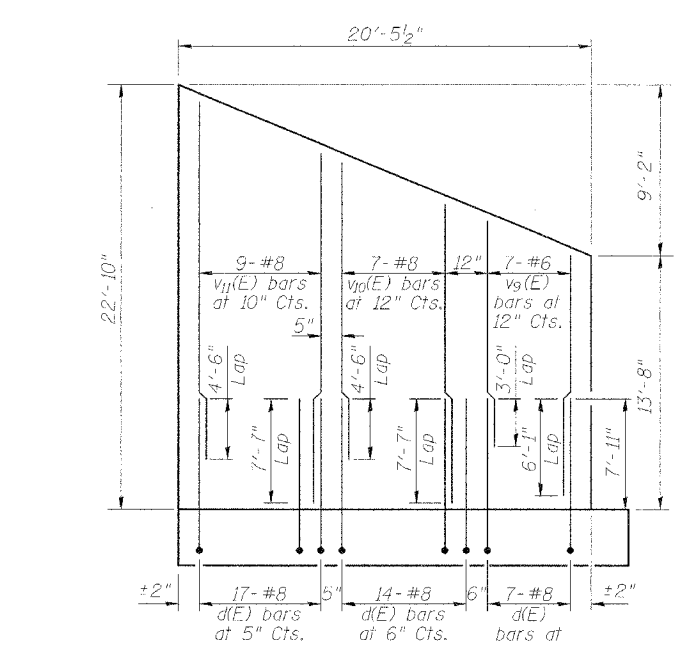
EAST ABUTMENT WING WALL (NORTH)
(Showing Front Face Reinforcement)



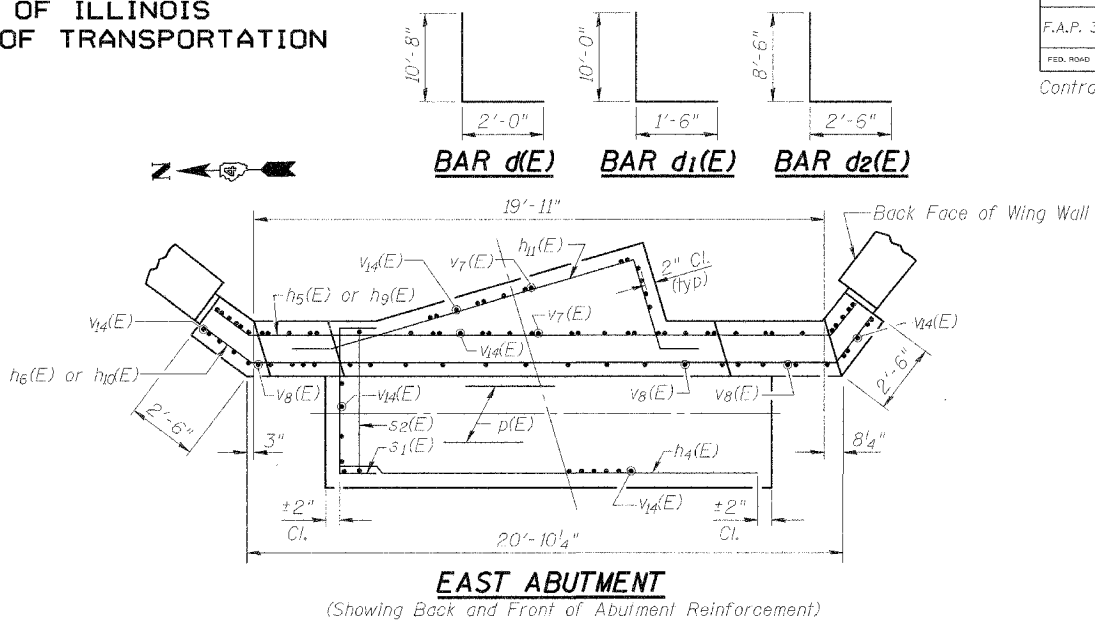
EAST ABUTMENT WING WALL (SOUTH)
(Showing Front Face Reinforcement)



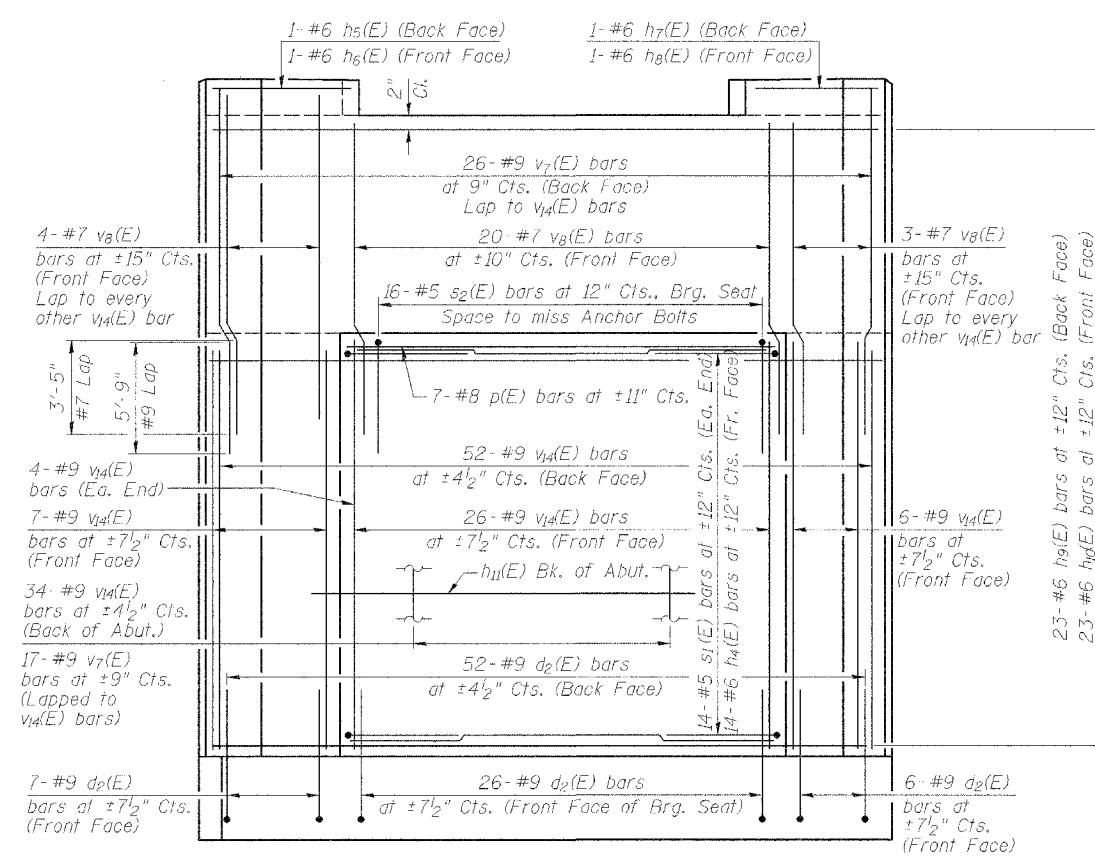
EAST ABUTMENT WING WALL (NORTH)
(Showing Back Face Reinforcement)



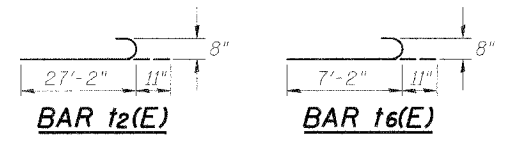
EAST ABUTMENT WING WALL (SOUTH)
(Showing Back Face Reinforcement)



EAST ABUTMENT
(Showing Back and Front of Abutment Reinforcement)



EAST ABUTMENT
(Showing Back and Front of Abutment Reinforcement)



DESIGNED	P.J.L.
CHECKED	W.D.L.
DRAWN	M.G.M.
CHECKED	P.J.L.

