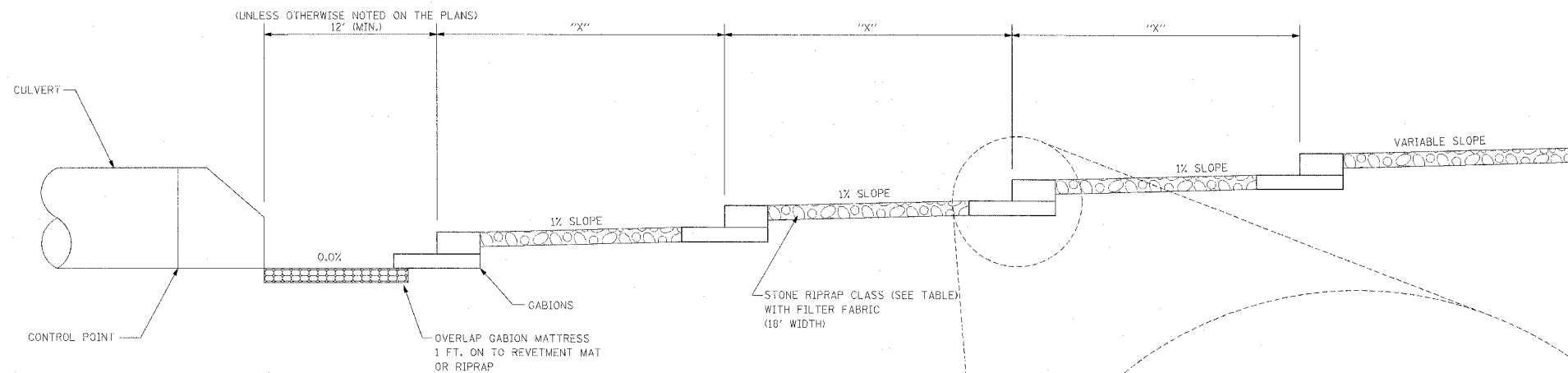


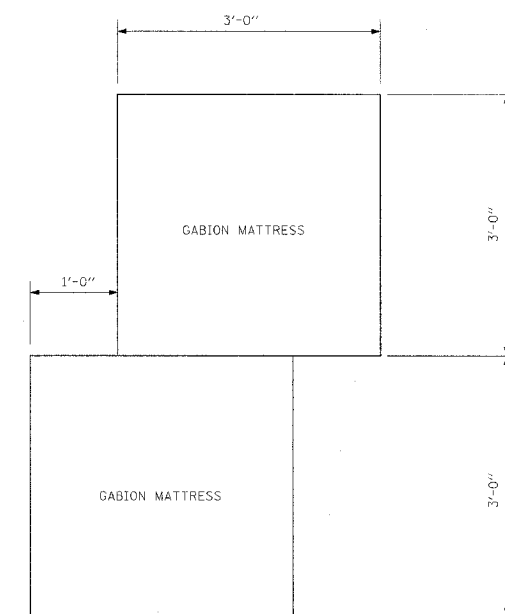
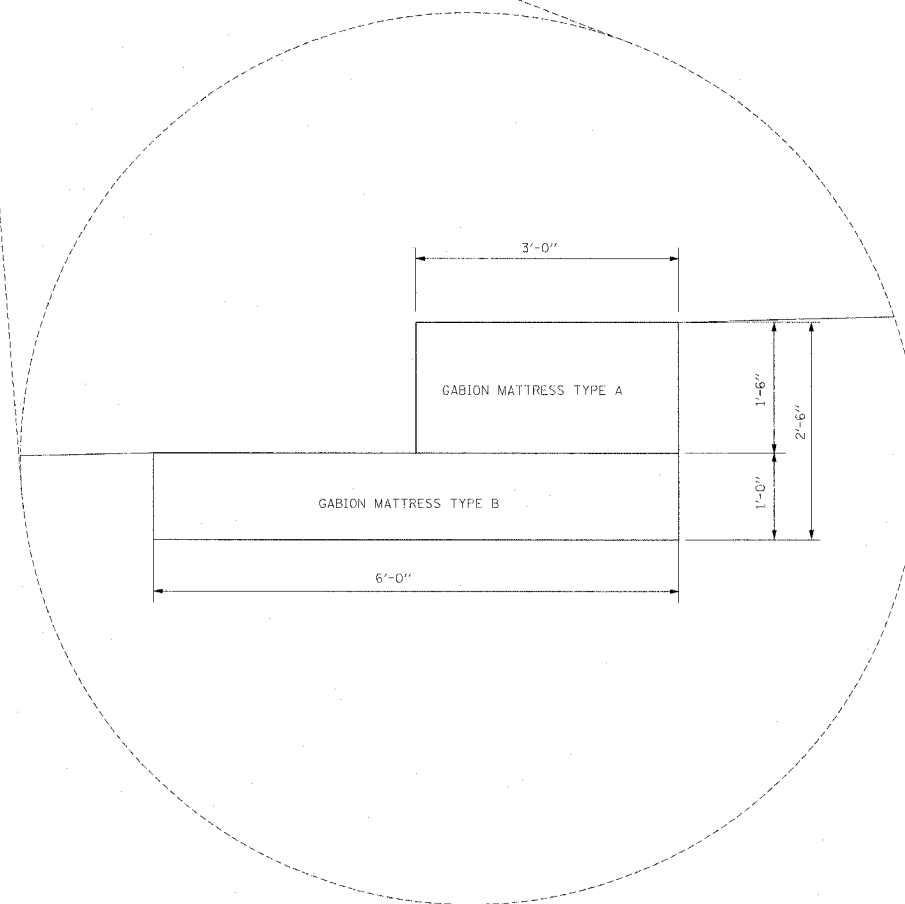
F.A.P. RTE.	SECTION	COUNTY	TOTAL SHEETS	SHEET NO.
315	55-2	McDONOUGH	1025	583
STA.		TO STA.		
FED. ROAD DIST. NO. 4		ILLINOIS FED. AID PROJECT		



**TABLE OF GABION LOCATIONS - IL. ROUTE 336**

SEE CROSS SECTIONS FOR MORE INFORMATION

LOCATION	NO. OF GABIONS	SPACING "X" (FT.)	CU. YD.	STONE RIPRAP CLASS
(IL. RTE. 336)				
LT. STA. 145+73	2	20	14	B3
LT. STA. 175+95	1	-	7	B3
RT. STA. 183+03	1	-	7	B3
LT. STA. 199+64	1	-	7	B3
LT. STA. 275+45	2	20	14	B4
LT. STA. 287+03	6	18	42	B3
LT. STA. 302+32	4	15	28	B3
LT. STA. 318+20	3	20	21	B3
			TOTAL 140	



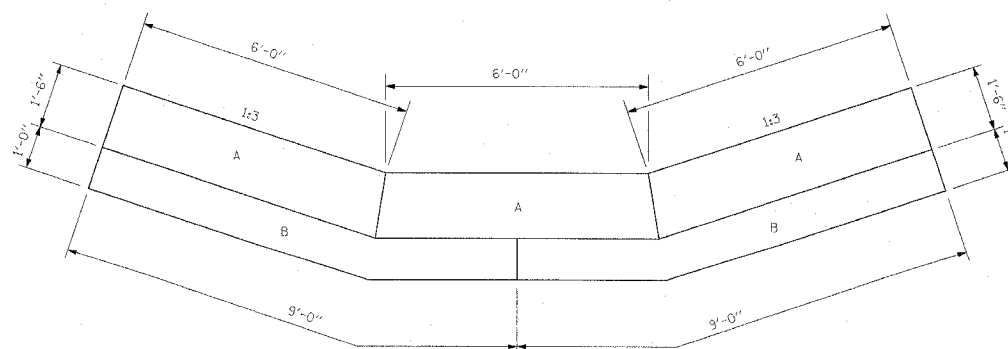
**TWP. RD. 150**

GABION MATTRESS	LENGTH	WIDTH	DEPTH	CU. YD.
1 TOP/1 BOTTOM	6'-0"	3'-0"	3'-0"	2.0 PER MATTRESS
1 TOP/1 BOTTOM	12'-0"	3'-0"	3'-0"	4.0 PER MATTRESS
TOTAL LENGTH TOP/BOTTOM = 18'-0"				TOTAL CU. YD. = 12.0

**ELEVATION - GABION MATTRESS LAYOUT**

GABION MATTRESS TYPE	LENGTH	WIDTH	DEPTH	CU. YD.
A	6'-0"	3'-0"	1'-6"	1.0 PER MATTRESS
B	9'-0"	6'-0"	1'-0"	2.0 PER MATTRESS

NOTE:  
GABIONS SHALL BE INSTALLED PER MANUFACTURERS RECOMMENDATIONS AND SPECIFICATIONS.



**ELEVATION - GABION MATTRESS LAYOUT**

REVISIONS	
NAME	DATE

ILLINOIS DEPARTMENT OF TRANSPORTATION  
**GABION DETAILS**  
**IL. ROUTE 336 AND TWP. RD. 150**

DATE 3/30/06  
DRAWN BY  
CHECKED BY