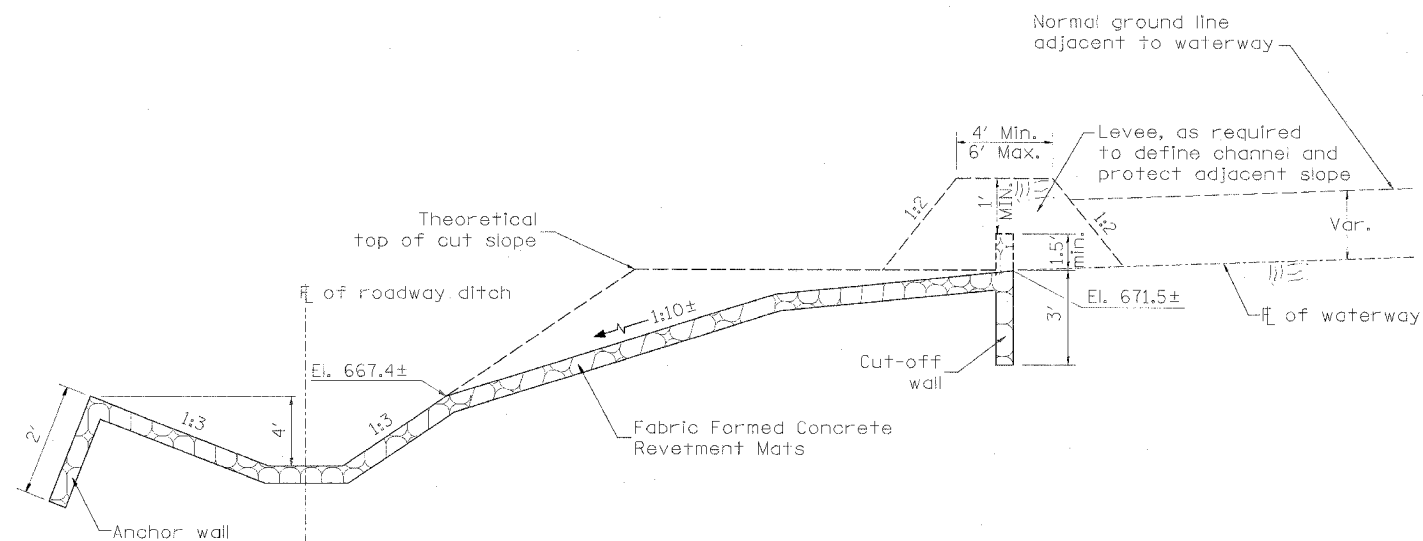
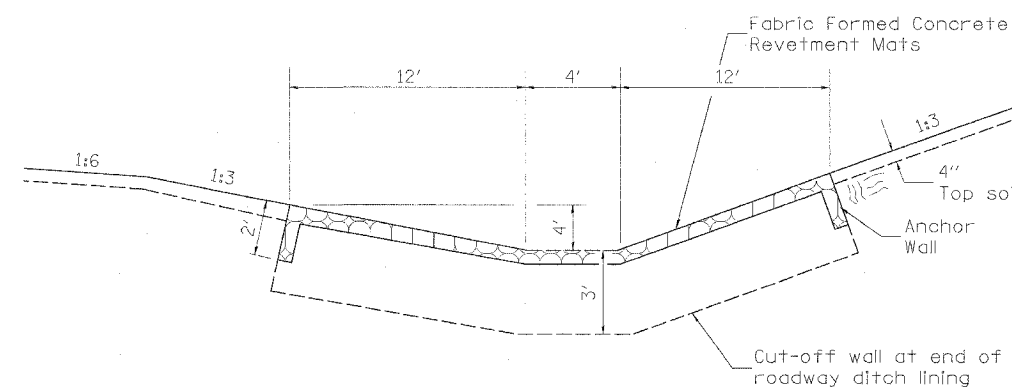


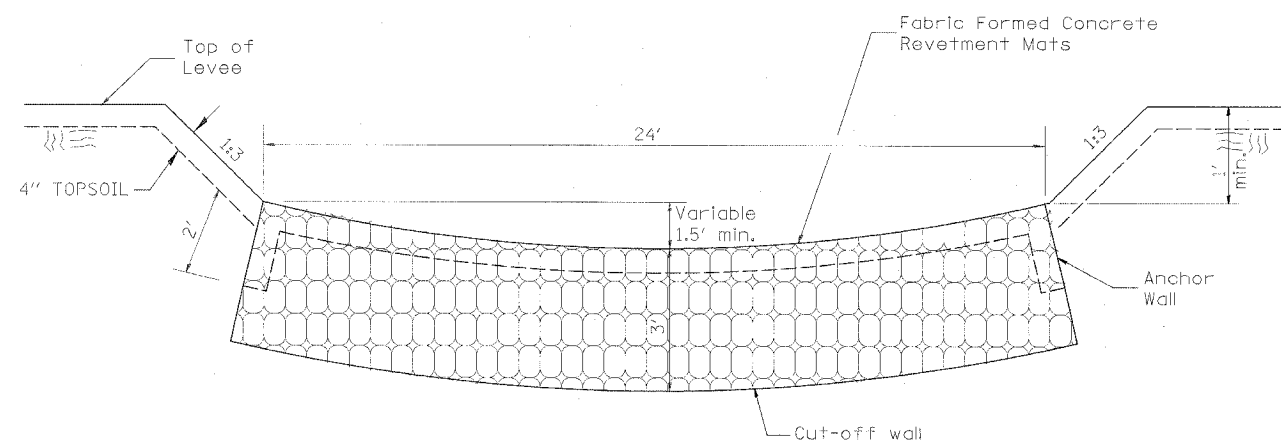
F.A.P. RTE.	SECTION	COUNTY	TOTAL SHEETS	SHEET NO.
315	55-2	McDONOUGH	1025	588
STA.		TO STA.		
FED. ROAD DIST. NO. 4		ILLINOIS FED. AID PROJECT		



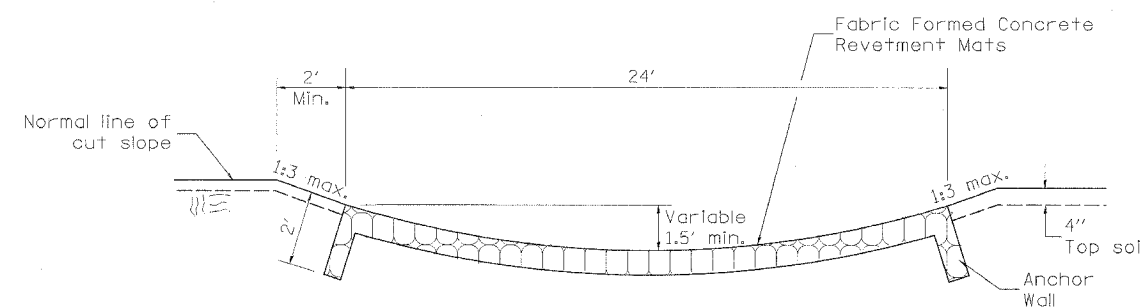
SECTION A-A



SECTION B-B



SECTION C-C



SECTION D-D

All slope ratios are expressed as units of vertical displacement to units of horizontal displacement (V:H).

REVISIONS	
NAME	DATE

ILLINOIS DEPARTMENT OF TRANSPORTATION

**FABRIC FORMED CONCRETE
REVTMENT MAT
LT. STA. 330 + 50**

3 of 3

DATE 3/30/06

DRAWN BY
CHECKED BY