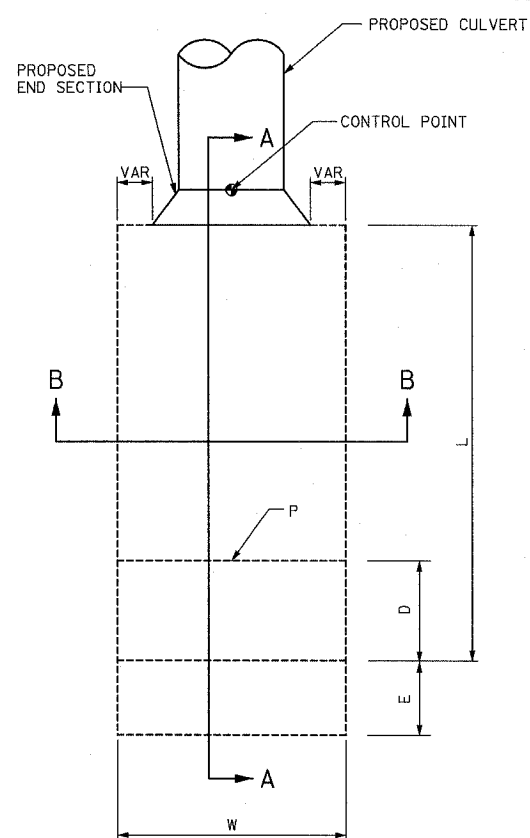
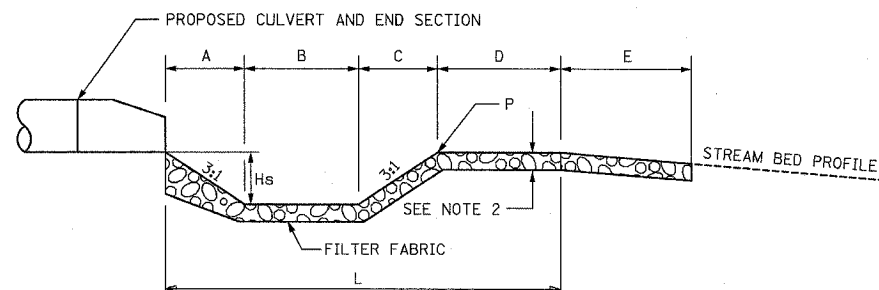


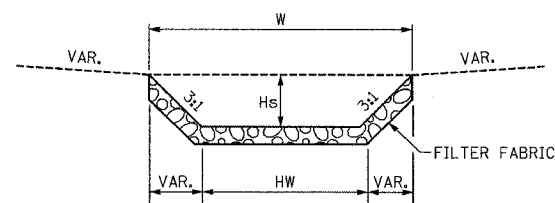
F.A.P. RTE.	SECTION	COUNTY	TOTAL SHEETS	SHEET NO.
315	55-2	McDONOUGH	1025	589
STA.		TO STA.		
FED. ROAD DIST. NO. 4		ILLINOIS FED. AID PROJECT		



PLAN VIEW



SECTION A-A



SECTION B-B

STILLING BASIN DETAIL

NOT TO SCALE

STILLING BASIN DIMENSIONS

LOCATION												
IL. RTE. 336												
CULVERT STATION	Hs	A	B	C	D	L	E	W	HW	P	CLASS B GRADATION	AREA SQ YD (1)
RT. STA. 145+73	2.2	6.6	23.8	6.6	10.0	47	23	28	14.8	651.8	5	215.3
RT. STA. 176+38	1.3	3.9	28.2	3.9	10.0	46	31	20	16.2	650.5	3	173.8
RT. STA. 183+73	1.7	5.0	8.0	5.0	0.0	18	123	18	8.5	658.4	4	290.0
RT. STA. 199+81	1.6	4.8	12.4	4.8	0.0	22	14	17	7.2	667.0	4	67.9
RT. STA. 213+43	1.9	5.7	20.6	5.7	10.0	42	29	25	20.6	649.0	4	197.9
RT. STA. 276+05	2.0	6.0	24.0	6.0	0.0	36	26	30	17.5	625.0	4	203.9
RT. STA. 286+54	1.3	4.0	18.0	4.0	0.0	26	55	27	20.8	630.0	3	235.9
RT. STA. 301+29	1.4	4.2	15.6	4.2	10.0	34	79	20	11.8	644.7	3	247.9
RT. STA. 317+95	1.9	5.7	16.0	5.7	7.0	34	5	20	8.6	662.5	4	86.8
RT. STA. 326+34	2.0	6.0	18.0	6.0	10.0	40	45	32	8.0	661.0	4	280.1
RT. STA. 474+85	2.0	6.0	51.6	2.4	20.0	80	44 (2)	38	24.0 TO 28.8	594.0	4	454.4
RT. STA. 483+13	2.1	6.3	60.4	6.3	16.0	89	5	49	31.4	596.4	4	504.4

U.S. RTE. 136 (RELOC.)												
CULVERT STATION	Hs	A	B	C	D	L	E	W	HW	P	CLASS B GRADATION	AREA SQ YD
RT. STA. 3+00	1.3	3.9	16.2	3.9	26.0	50	-	22	13.7	664.6	3	121.3
RT. STA. 9+50	1.2	3.6	8.8	3.6	14.0	30	-	17	9.8	670.7	3	58.1
RT. STA. 24+50	0.8	2.4	19.2	2.4	36.0	60	-	17	12.5	669.7	3	115.0

SERVICE DRIVE												
CULVERT STATION	Hs	A	B	C	D	L	E	W	HW	P	CLASS B GRADATION	AREA SQ YD
RT. STA. 24+40	1.6	4.9	10.2	4.9	15.0	35	17	20	8.2	651.5	4	115.5

CO. HWY. B (RELOC.)												
CULVERT STATION	Hs	A	B	C	D	L	E	W	HW	P	CLASS B GRADATION	AREA SQ YD
LT. STA. 26+50	1.5	4.5	9.0	4.5	11.0	29	-	27	17.7	660.4	4	78.9

NOTES:

- (1) INCLUDES TOTAL LENGTH OF STILLING BASIN/RIPRAP (L+E).
- (2) WIDTH VARIES TO MATCH STREAM (SEE PLANS)

REVISIONS	
NAME	DATE

ILLINOIS DEPARTMENT OF TRANSPORTATION

**STILLING BASIN DETAIL
IL. ROUTE 336**

DATE 3/30/06

DRAWN BY
CHECKED BY

11-2010-NEW BASIN.dwg 3/31/2006 11:07:18 AM