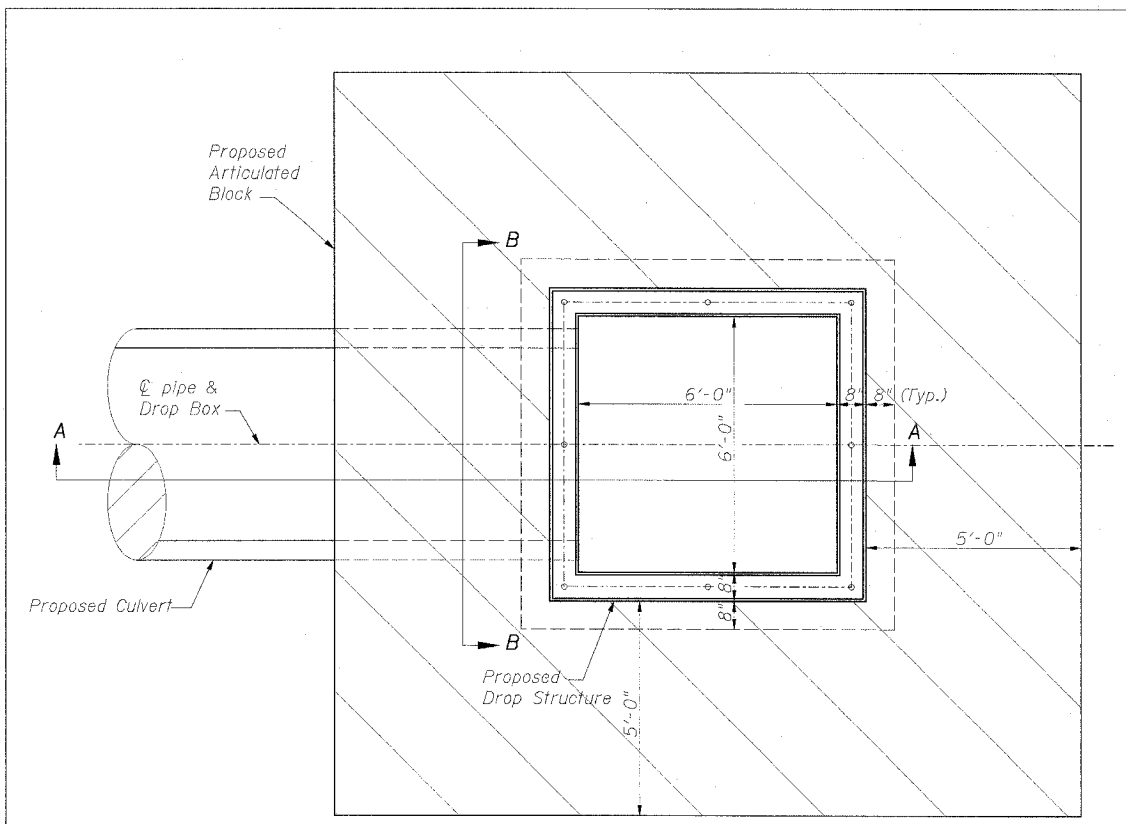
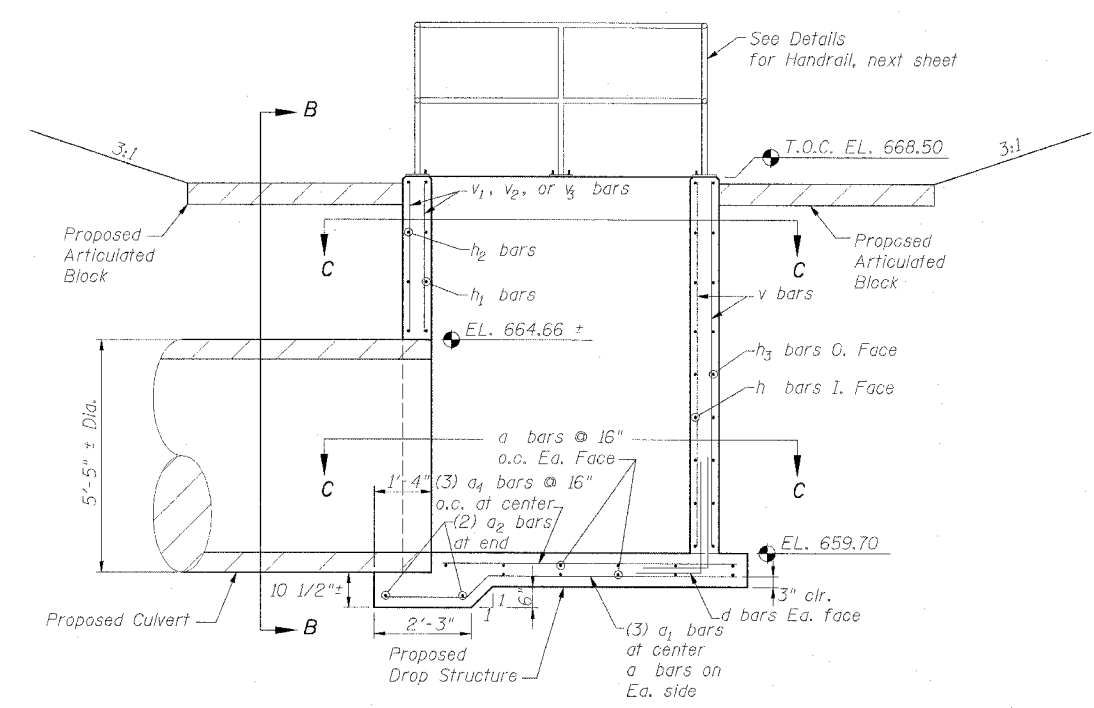


F.A.P. R.T.E.	SECTION	COUNTY	TOTAL SHEETS	SHEET NO.
315	55-2	McDONOUGH	1025	592
STA.	TO STA.			
FED. ROAD DIST. NO. 4	ILLINOIS	FED. AID PROJECT		

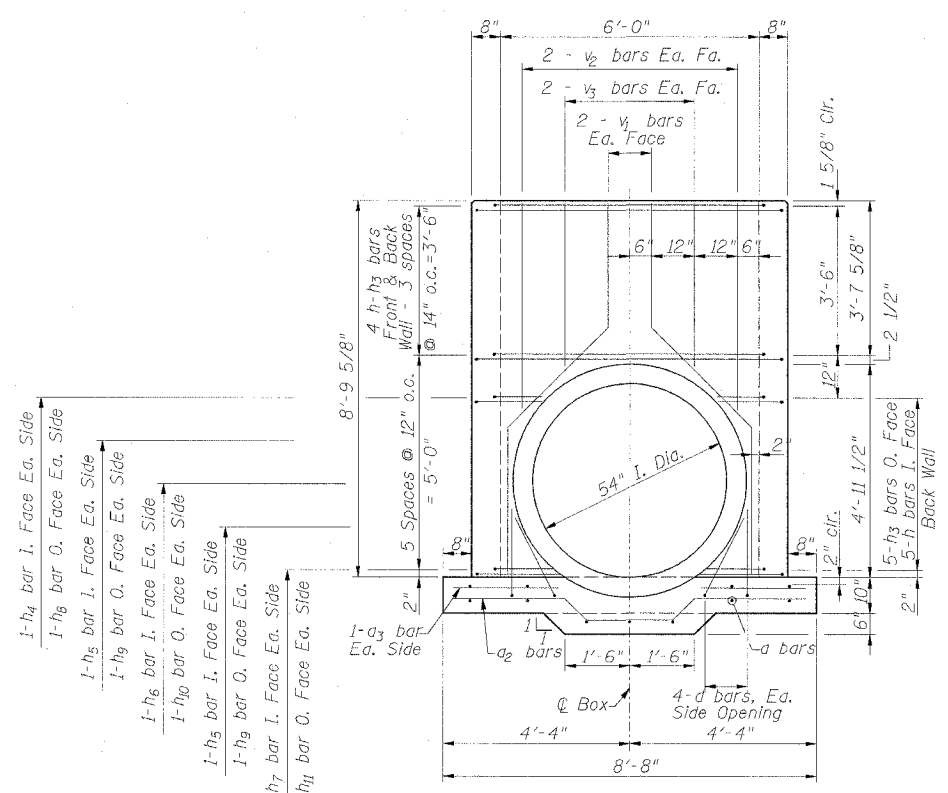
Notes:
See next sheet for Quantities and bar bend details.



PLAN VIEW



SECTION A-A



SECTION B-B

REVISIONS	
NAME	DATE

ILLINOIS DEPARTMENT OF TRANSPORTATION
DROP STRUCTURE DETAIL
IL. ROUTE 336
LT. STA. 184 + 41.25
DRAWN BY CSR
CHECKED BY
DATE 3/30/06