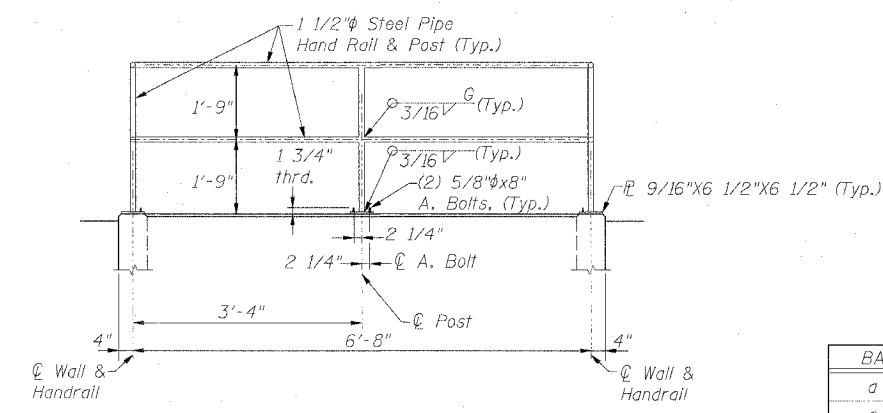
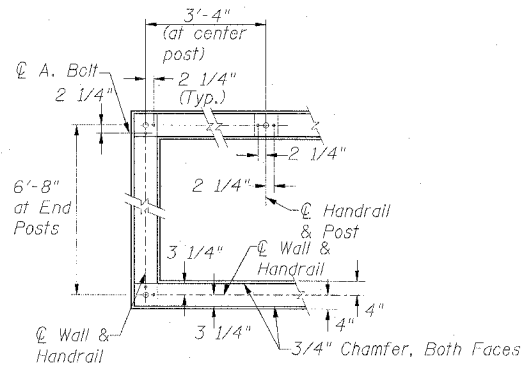
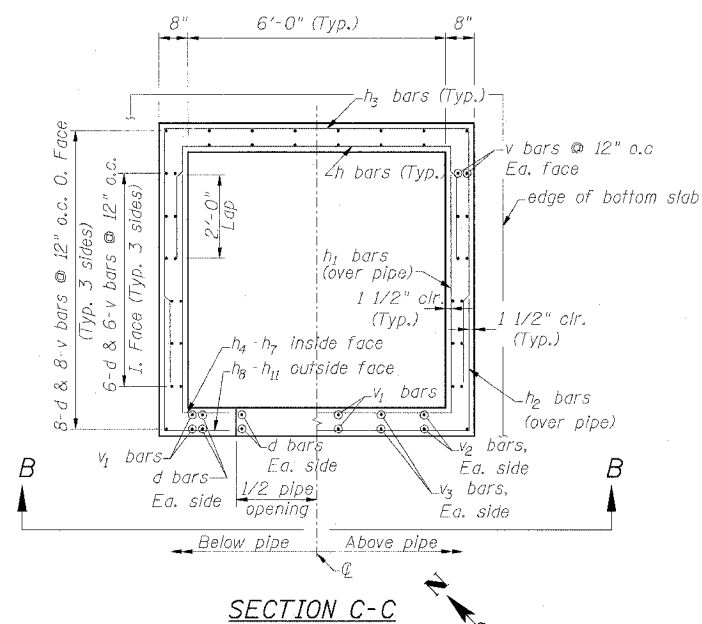


F.A.P. RITE:	SECTION	COUNTY	TOTAL SHEETS	SHEET NO.
315	55-2	McDONOUGH	1025	593
STA.		TO STA.		
FED. ROAD DIST. NO. 4 ILLINOIS FED. AID PROJECT				



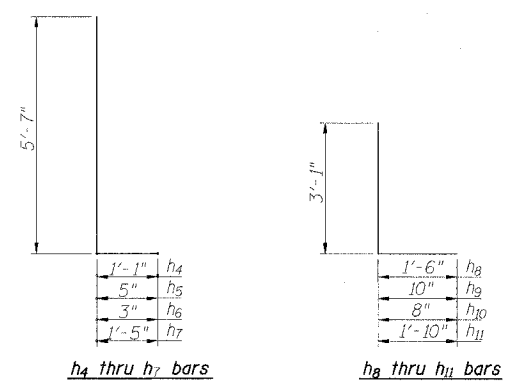
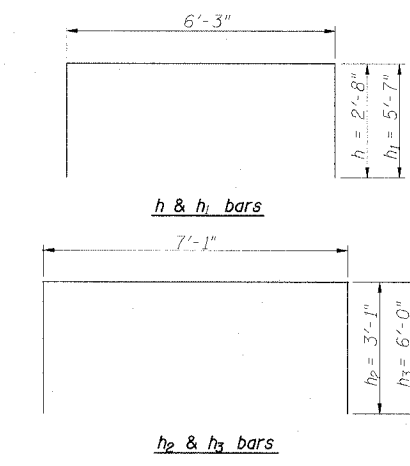
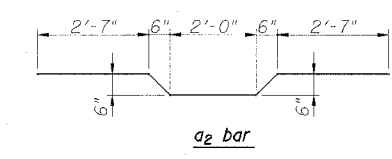
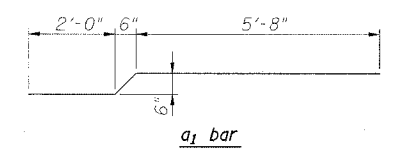
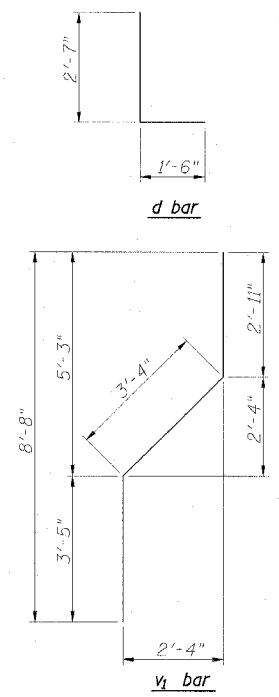
BILL OF MATERIALS

BAR	NO.	SIZE	LENGTH (ft)	SHAPE
a	19	#4	8'-2"	—
a ₁	3	#4	8'-5"	—
a ₂	2	#4	8'-7"	—
a ₃	2	#4	2'-5"	—
a ₄	3	#4	6'-10"	—
d	48	#4	4'-1"	L
h	9	#4	11'-7"	—
h ₁	4	#4	17'-5"	—
h ₂	4	#4	13'-3"	—
h ₃	9	#4	19'-1"	—
h ₄	2	#4	6'-8"	L
h ₅	4	#4	6'-0"	L
h ₆	2	#4	5'-10"	L
h ₇	2	#4	7'-0"	L
h ₈	2	#4	4'-7"	L
h ₉	4	#4	3'-11"	L
h ₁₀	2	#4	3'-9"	L
h ₁₁	2	#4	4'-11"	L
v	40	#4	8'-8"	—
v ₁	4	#4	9'-8"	—
v ₂	4	#4	4'-11"	—
v ₃	4	#4	3'-11"	—
Structure Excavation			Cu. Yd.	57
Concrete Structures			Cu. Yd.	7.7
Reinforcement Bars			Pound	900
Pipe Handrail			Foot	27

Notes:
 Class SI Concrete shall be used throughout.
 Exposed edges shall be chamfered 3/4".
 For backfilling, see Standard Specifications.
 Reinforcement bars shall conform to the requirements of AASHTO M 31, M 42 or M 53, grade 60 deformed bars.
 Anchor bolts shall be high strength bolts 5/8" diameter, open holes 7/8" diameter, unless noted otherwise.

Design Stresses:
 f'c = 3,500 psi
 fy = 60,000 psi reinforcement
 fy = 36,000 psi Steel Hand Rail

Field Painting:
 Provide (2) coats of a non-leaking aluminum paint per Article 1008.20, Standard Specifications.



REVISIONS	
NAME	DATE

ILLINOIS DEPARTMENT OF TRANSPORTATION
DROP STRUCTURE DETAIL
IL. ROUTE 336
LT. STA. 184 + 41.25
 DRAWN BY CSR
 CHECKED BY
 DATE 3/30/06