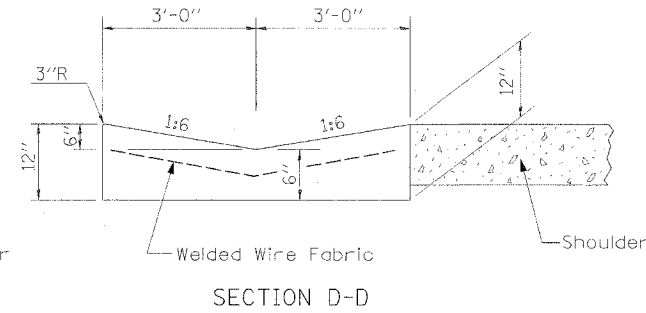
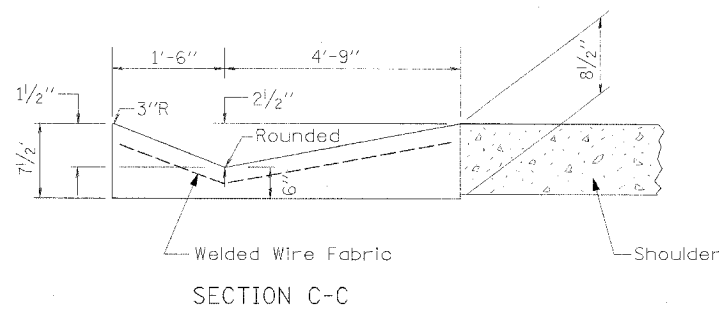
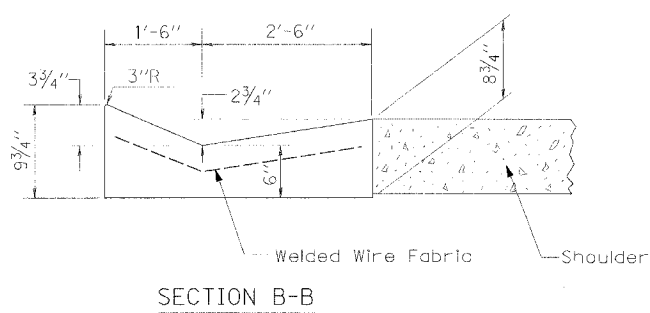
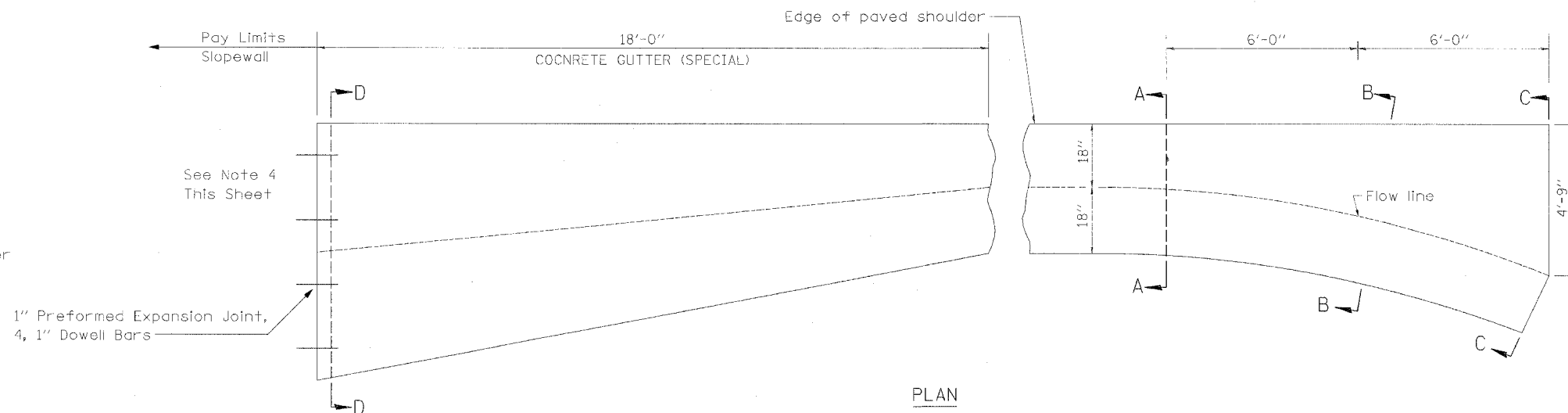
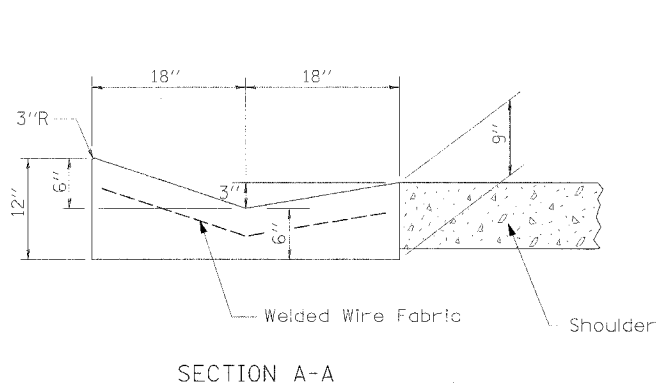
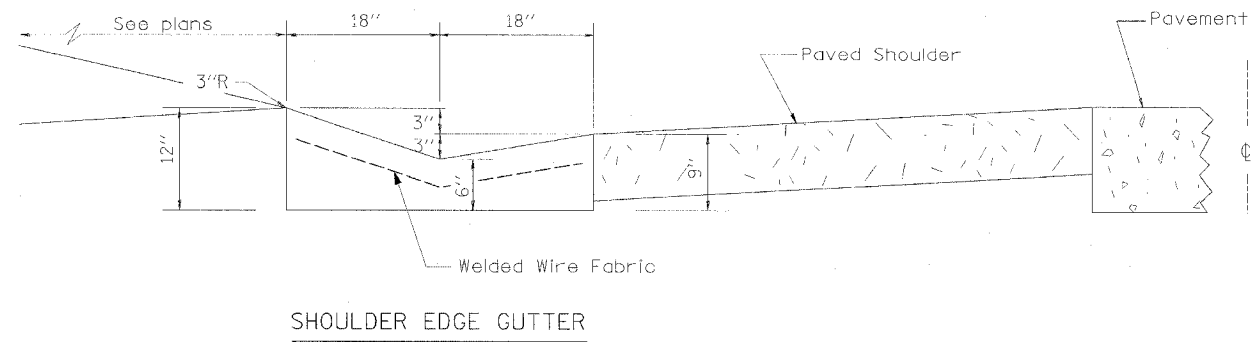


F.A.P. RTE.	SECTION	COUNTY	TOTAL SHEET SHEETS, NO.
315	55-2	McDONOUGH	1025 : 604
STA.		TO STA.	
FED. ROAD DIST. NO. 4 ILLINOIS FED. AID PROJECT			



GENERAL NOTES:

1. CONCRETE GUTTER SPECIAL shall conform to the applicable portions of Section 606.
2. Joints shall be constructed in accordance with Article 606.06.
3. Welded wire fabric shall conform to Article 1006.10(c)(1), and shall not be less than 58 lbs/100 sq.ft.).
4. Dowel bars and expansion joint included in the cost of CONCRETE GUTTER, SPECIAL.

INLET

TRANSITION TO SLOPEWALL

CONCRETE GUTTER SPECIAL

REVISIONS	
NAME	DATE

ILLINOIS DEPARTMENT OF TRANSPORTATION
CONCRETE GUTTER SPECIAL
IL. ROUTE 336
SHEET 1 OF 2

DATE 3/30/06
DRAWN BY
CHECKED BY