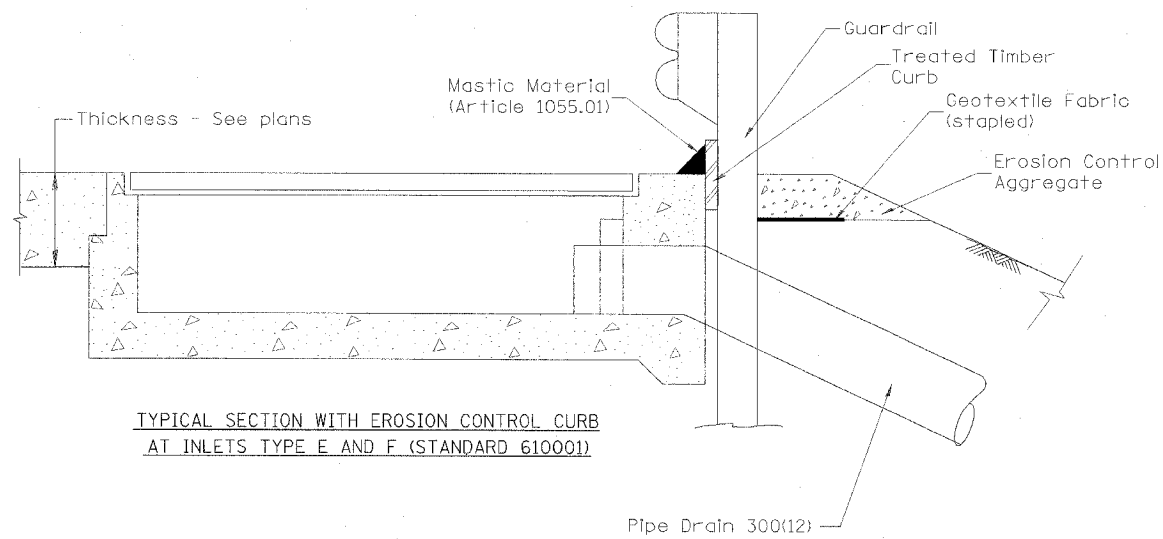
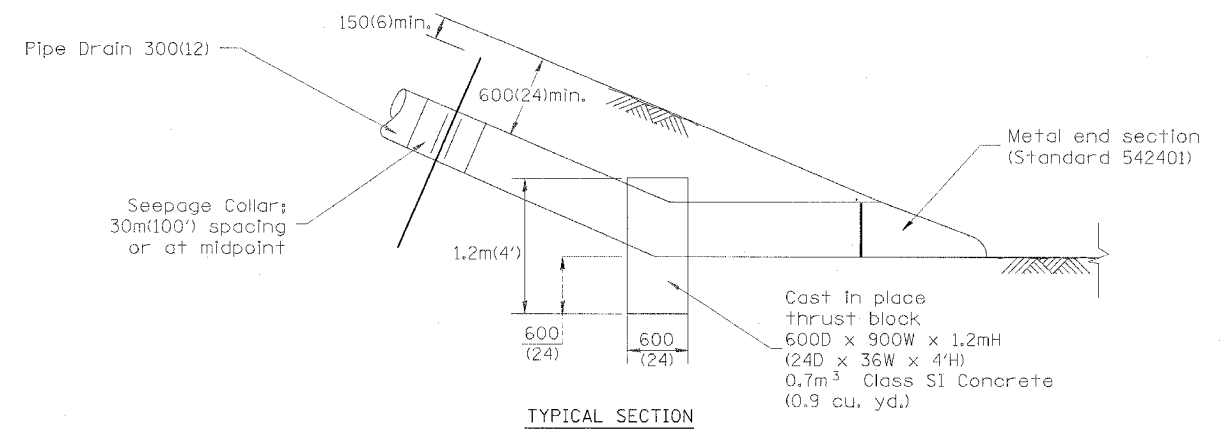


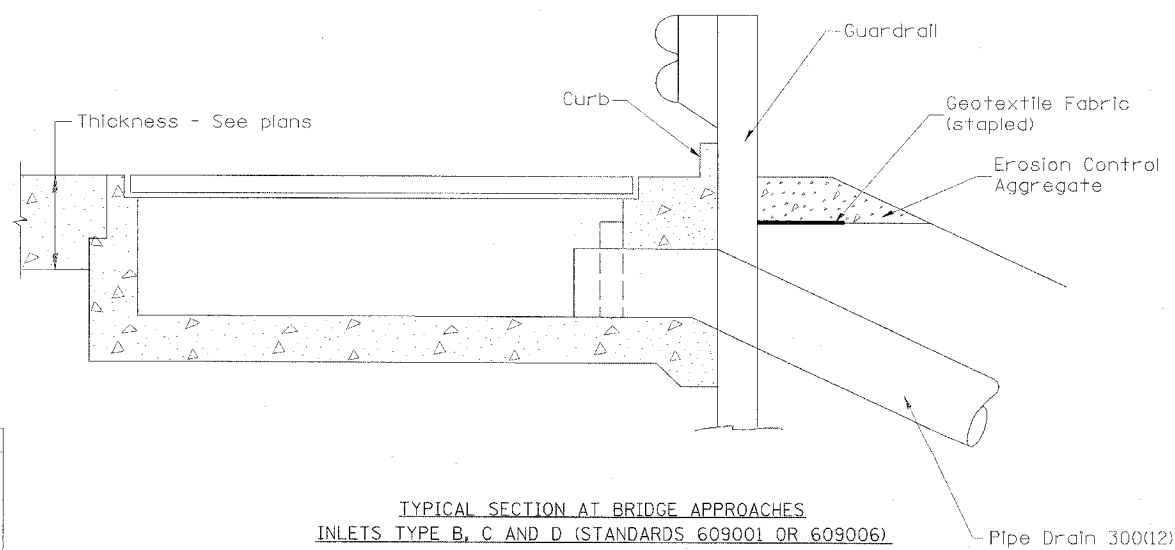
F.A.P. RITE.	SECTION	COUNTY	TOTAL SHEETS	SHEET NO.
315	55-2	McDONOUGH	1036	617
STA.		TO STA.		
FED. ROAD DIST. NO. 4 ILLINOIS FED. AID PROJECT				



TYPICAL SECTION WITH EROSION CONTROL CURB
AT INLETS TYPE E AND F (STANDARD 610001)



TYPICAL SECTION



TYPICAL SECTION AT BRIDGE APPROACHES
INLETS TYPE B, C AND D (STANDARDS 609001 OR 609006)

GENERAL NOTES

1. The material for Pipe Drains shall be bituminous coated galvanized corrugated steel culvert pipe or bituminous coated corrugated aluminum alloy pipe in accordance with Article 601.02(f) or 601.02(i).
2. An approved mastic material (Article 1055.01) shall be applied to the inside of the connecting bands.

All dimensions are in millimeters (inches) unless otherwise noted.

ILLINOIS DEPARTMENT OF TRANSPORTATION
DISTRICT CADD STANDARD

SLOPE DRAIN DETAILS
FOR
BURIED PIPES

CADD STD. NO. 601101-D4
NOT DRAWN TO SCALE
DATE

DRAWN BY CADD

DATE	REVISIONS	BY
1-1-97	RENUM. H-1.04, NEW REVISION BOX, REVISED TITLE BOX, REVISED DESIGNER NOTES, ADDED QUANTITY CALCULATION BOX	T.P.

QUANTITIES	
CALC. BY:	DATE:
CHECKED BY:	DATE:
QUANTITY CALCULATIONS ARE ON FILE AT THE DISTRICT 4 OFFICE; BUREAU OF PROJECT IMPLEMENTATION; DOCUMENTATION SECTION	

DGN-ONLY

601101-D4

DESIGNER NOTE:
1. INCLUDE STATE STANDARD 542401.
2. INCLUDE STATE STANDARDS 609001, 609006 OR 610001, IF APPLICABLE
3. INCLUDE DISTRICT CADD STANDARDS FOR "GUARDRAIL EROSION CONTROL TREATMENTS", "SEEPAGE COLLARS FOR BURIED PIPES", AND "PIPE ELBOW"